

Frigidaire

Factory Parts Catalog

Product No.	AGQ7000ES0
Series	Frigidaire
Market	North America
Color	white
Volts	120
Wiring Diagram	134682200
Owner's Guide	134609100
Installation Instructions	134732700
Operating Instructions	134609300

 **Electrolux**

Electrolux Major Appliances
North & Latin America
P.O. BOX 212378
AUGUSTA, GA 30917

Publication No.
5995464541
06/04/03
(EN/SERVICE/WC)
361

GAS DRYER

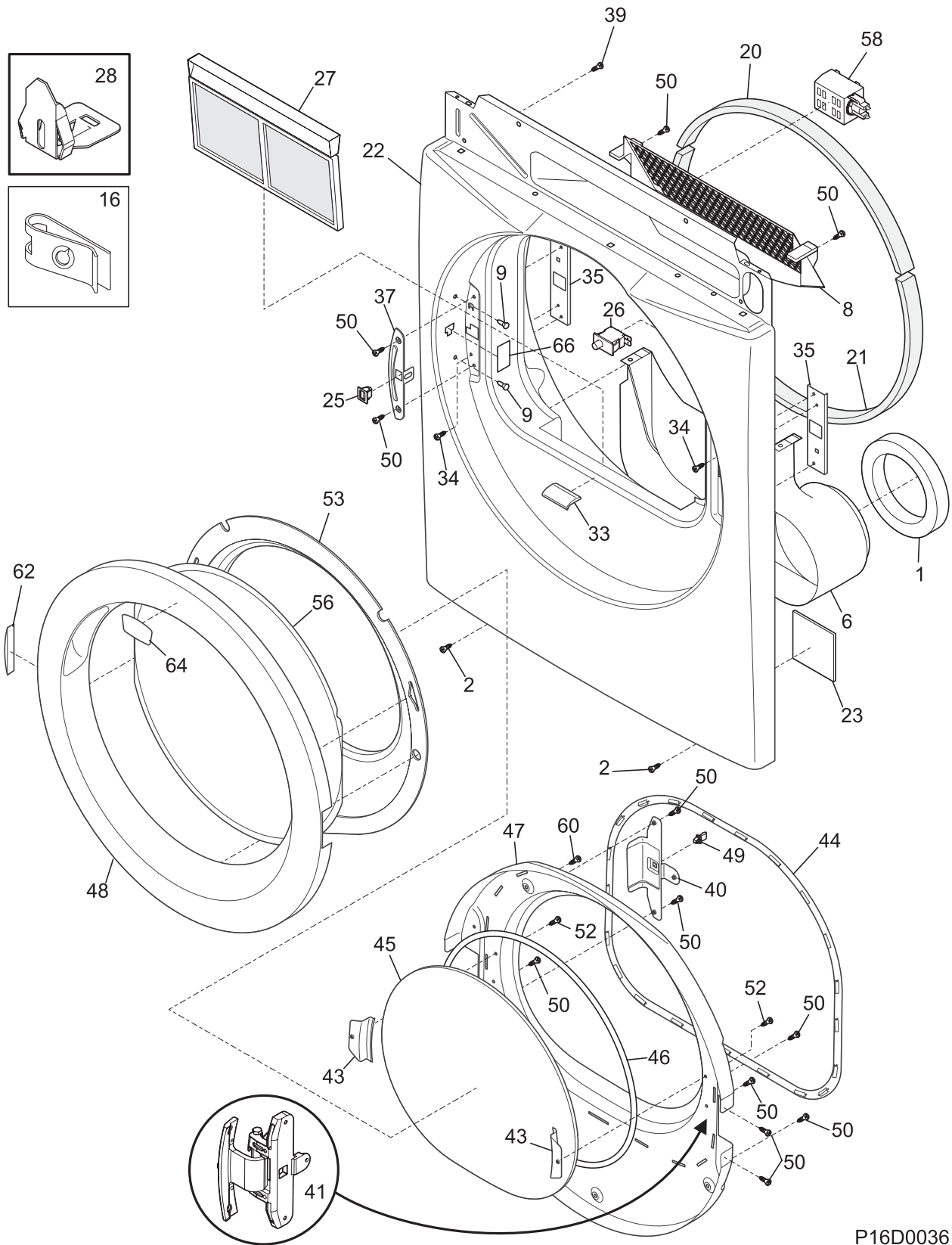
Model No.
AGQ7000E

Copyright © 2006 Electrolux Home Products, Inc.
All rights reserved.

CABINET/DRUM

POS. NO	PART NO.	DESCRIPTION
2	131168200	Screw, pan head, 8-18B x 0.31
5	5303281019	Ball, grounding
6	5303281020	Clip, ball, steel, flat nut
7	134121200	Rack, drying
9	131793200	Panel, service access, rear
11	131363200	Cover, terminal block
12	131825900	Bearing, drum support
13	131724300	Bracket, bearing support
14	131205400	Screw, bracket mtg., 10-16B x 1.375, cr/sq drive
15 #	131600500	Housing, gas heater assy, w/seal
17	3204254	Baffle, heater shield
18	131477000	Screw, 10-16AB x 0.375
20	134166500	Bracket, top panel mtg., rear
21	134122552	Drum, dryer, stainless steel, service kit
24	131963900	Glide, drum
25	5303015671	Screw, hex washer head, 8-18 x 0.375, cup point
29	131382300	Screw, quadrex head, 10-14 x 1.00, vane mtg., special
30	5304405283	Vane, straight, gray
31 #	134501200	Power Cord, electric svce
32	131777700	Shaft, drum support, ballhitch
32*	5303307893	Lubricant, high temp
33 #	5308015399	Thermostat, safety
34	131243700	Screw, pan head, 8-18AB x 0.375
37	131952100	Duct, heat
42	134154100	Screw, hex washer head, 10-32 x 0.375, ground
44	134344900	Leveling Leg, screw
64	134360100	Bracket, svce panel mtg.
*	134608000	Stacking Kit, dryer/washer
* #	5303281153	Rear Bearing Kit, includes 5, 6, 12, 13, 14, 18, 32

FRONT PANEL/LINT FILTER



P16D0036

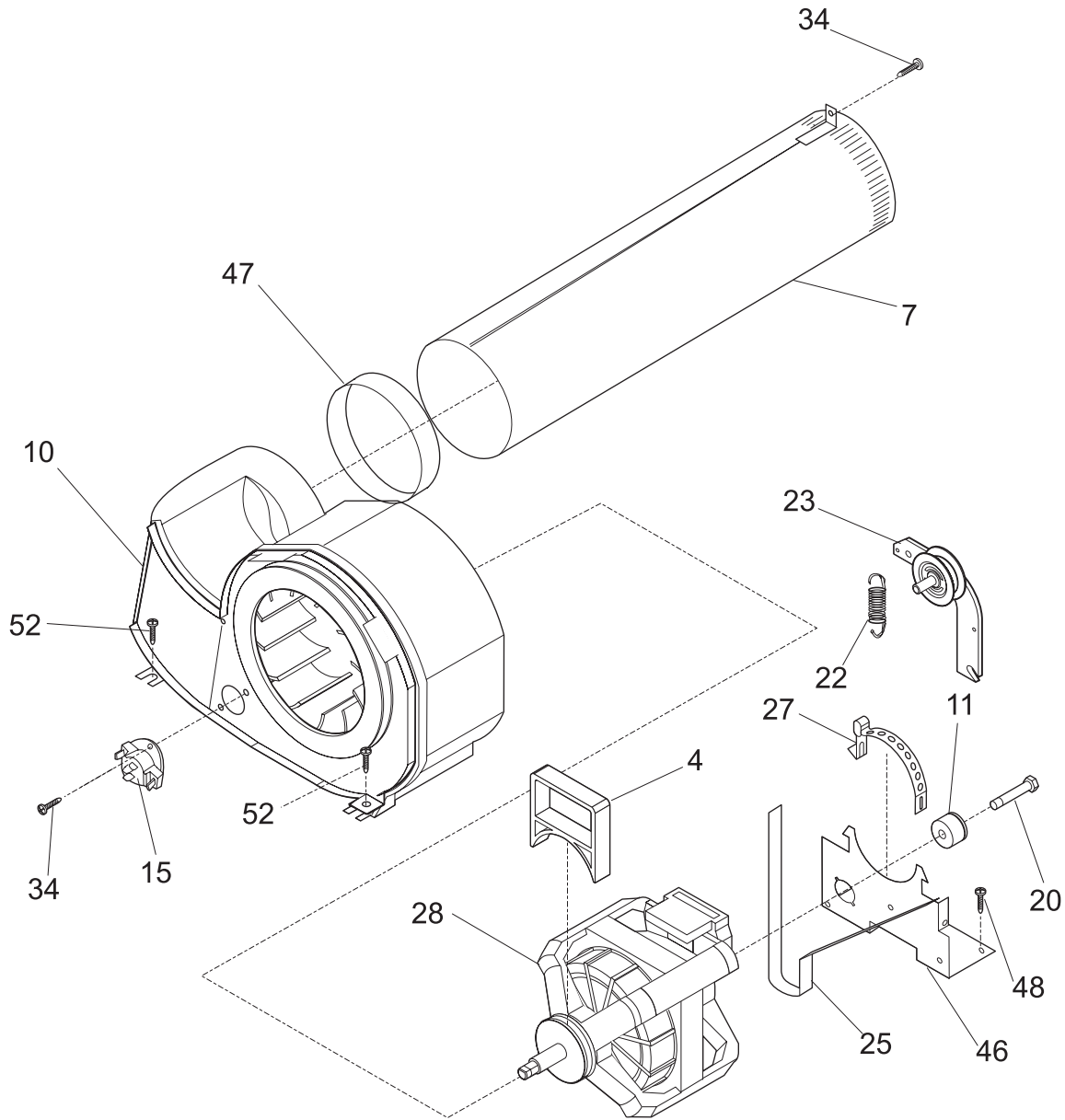
FRONT PANEL/LINT FILTER

POS. NO	PART NO.	DESCRIPTION
1	134417000	Seal, air duct
2	131168200	Screw, pan head, 8-18B x 0.31
6	134382900	Duct, air
8 #	131845802	Cover, lint housing, w/moist sensor
9	131633200	Plug, white
16	134440100	Clip, U-nut
20	134440200	Seal, felt, upper
20*	5308027429	• Adhesive, high temp
21	134134700	Seal, felt, lower
22	134733510	Panel, front, white, w/lamp hole
23	131744202	Damper, vibration
25	134548000	Latch, door, lower
26 #	131843101	Switch, door, with drum light
27	131450300	Trap, lint blade assy
28	134440000	Clip, guide
33	134737200	Guide, door
34	131243700	Screw, pan head, 8-18AB x 0.375
35	134559200	Plate, hinge support, (2)
37	134559410	Plate, door catch, white
39	131205100	Screw, #8 pan head, 10-10B x 0.500, cr/sq drive
40	134559540	Plate, door strike, gray
41	134680900	Hinge, door
43	134559300	Bracket, door glass
44	134720900	Gasket, door seal
45	134611800	Glass, inner door
46	134580300	Gasket, door glass, inner
47	134558540	Panel, inner door, gray
48	134558410	Panel, outer door, platinum
48*	134554500	Pad, outer door
49	134548100	Door Strike
50	131303300	Screw, pan head, 10-16AB x 0.500, locking
52	134529600	Screw, indt pan head, 8-18AB x 0.375
53	134558600	Ring, door transition
56	134550600	Glass, outer door lens
58 #	131843500	Lamp Assy, drum light, w/mtg bracket
58*#	131862800	• Lamp
60	134430300	Screw, indt pan head, 10-14 x 0.625, quadrex
62	134559610	Plug, hinge cutout, platinum
64	134601600	Nameplate, Affinity
66	134680800	T-Plug, hinge hole

CONTROLS/TOP PANEL

POS. NO	PART NO.	DESCRIPTION
1 #	134557200	Control Board, printed circuit, with housing
3	134551210	Knob, program
4	134553100	Light Pipe, program
5 #	134556500	Interface Board, pc, auxiliary
6	134347700	Pin, program knob
8	134555510	Push Button, round, #1
9	134553410	Push Button, oval, #1
11	134595610	Push Button, oval, start
12	134553300	Spring, push button
13	134557501	Light Pipe, start group
15	134552800	Light Pipe, 5 x 4
16	134600000	Light Pipe, row of 5
19	134402900	Screw, phillips, 6-19 x 0.650
22 #	134602100	Wiring Harness, interface board
23 #	134394400	Wiring Harness, controls
23*#	134491500	Wiring Harness, main
29	134557000	Panel, control console
39	134178901	Screw, 8-18AB x 0.455
53	134365000	Panel, work top, white
55	134553200	Lens, digital display
56	134557300	Light Pipe, digital display
57 #	134503300	Display, digital

MOTOR

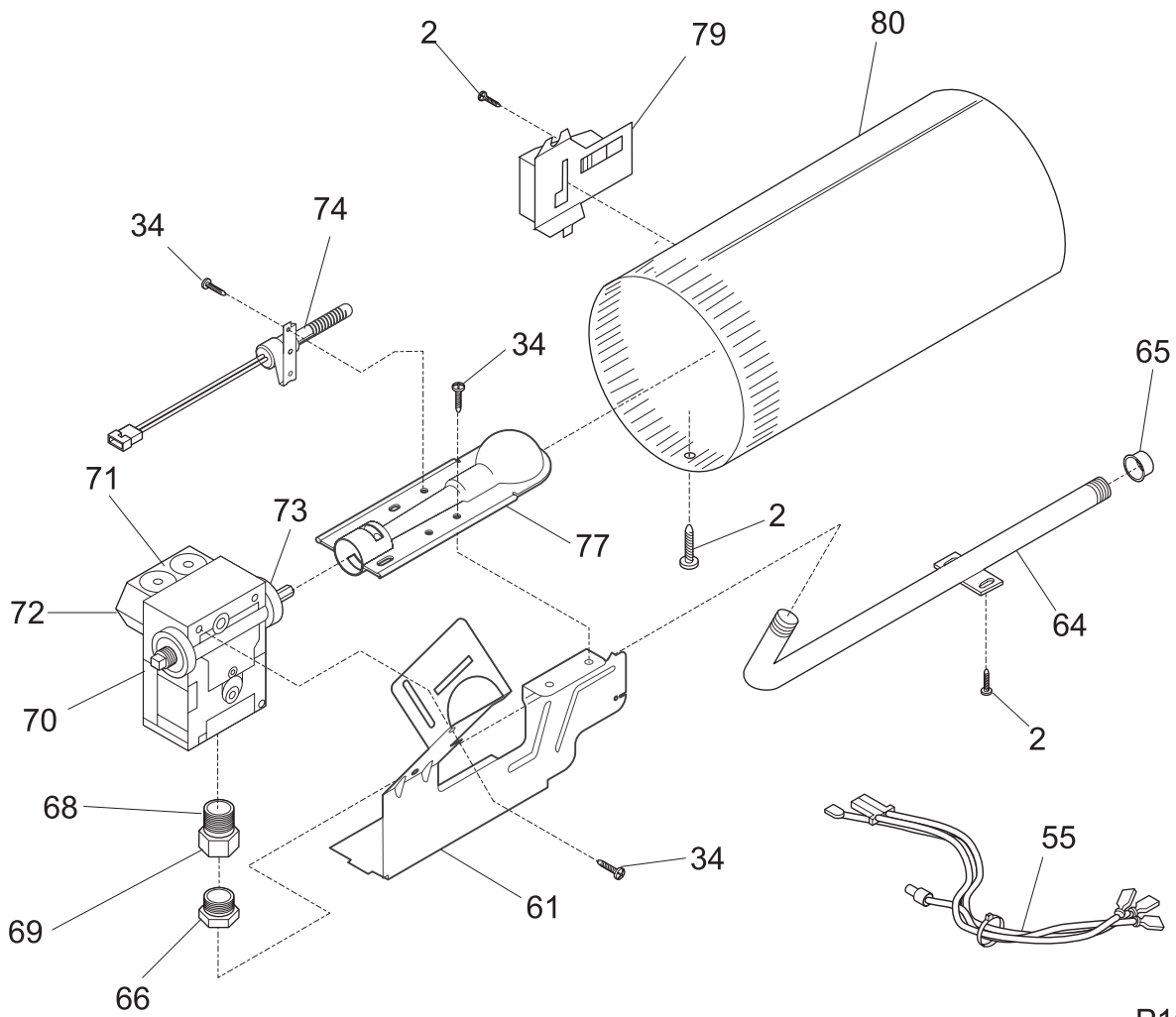


P16M0024

MOTOR

POS. NO	PART NO.	DESCRIPTION
4	131435200	Lock, blower housing
7	131451600	Tube, exhaust, rear, w/mtg bracket
7*	131456800	Tube, exhaust, side/bottom, Optional Kit
10 #	131775600	Blower Assy, housing, w/cover & wheel
11	131749800	Spacer, idler
15 #	134587700	Thermistor, control
20	131017900	Screw, hex head, 1/4-20T x 1.25, spacer mtg., thread cutting
22	131601000	Spring, idler arm
23 #	131863007	Idler Arm Assy, w/pulley
25 #	134503600	Belt, dryer
27	134242400	Clamp, motor mtg.
28 #	131560100	Motor & Pulley Assy
34	131243700	Screw, pan head, 8-18AB x 0.375
46	134203400	Bracket, motor mtg
47	131633300	Seal, exhaust tube
48	131168200	Screw, pan head, 8-18B x 0.31
52	131202300	Screw, 10-16AB x 0.625

BURNER

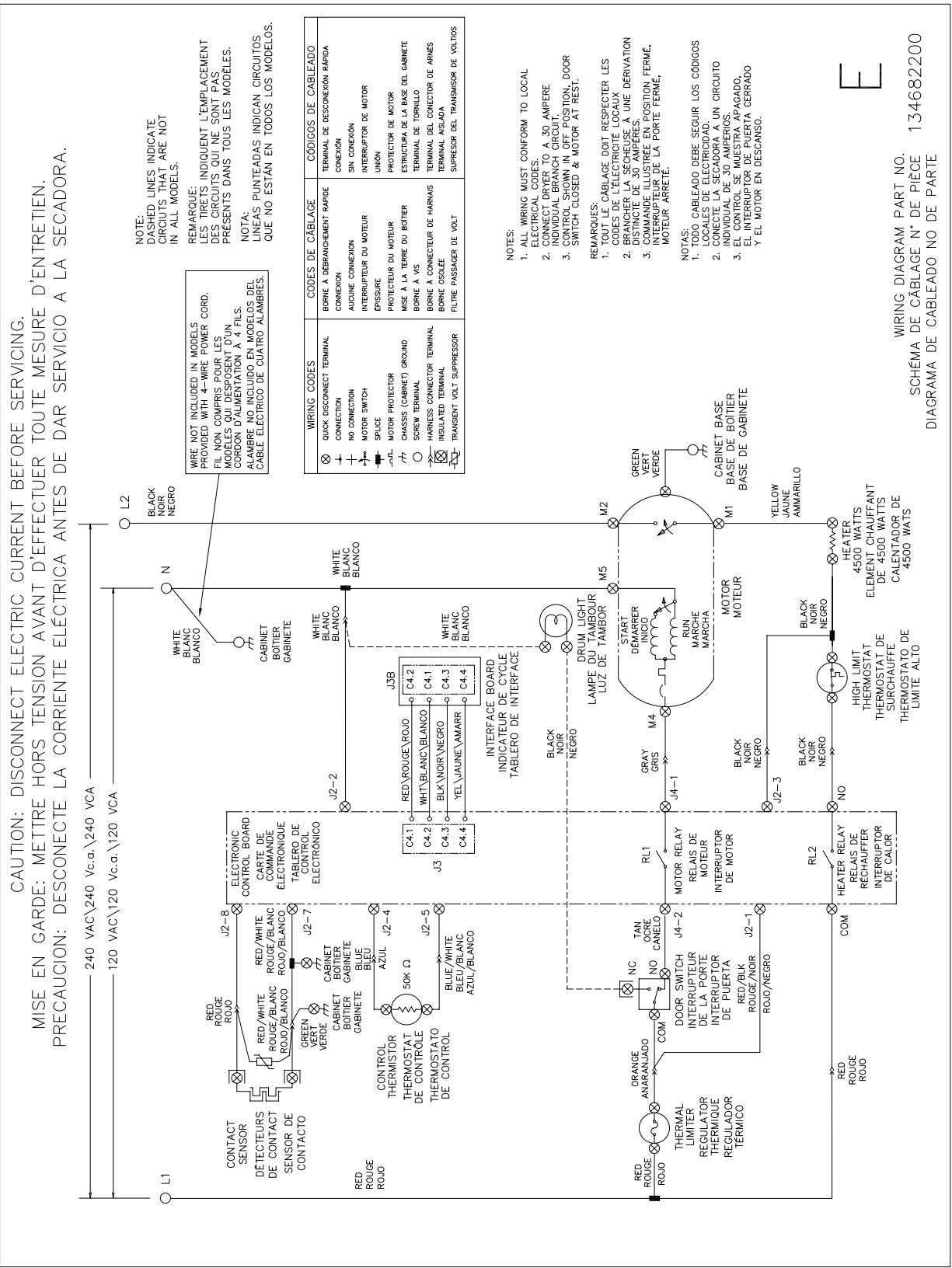


P16B0015

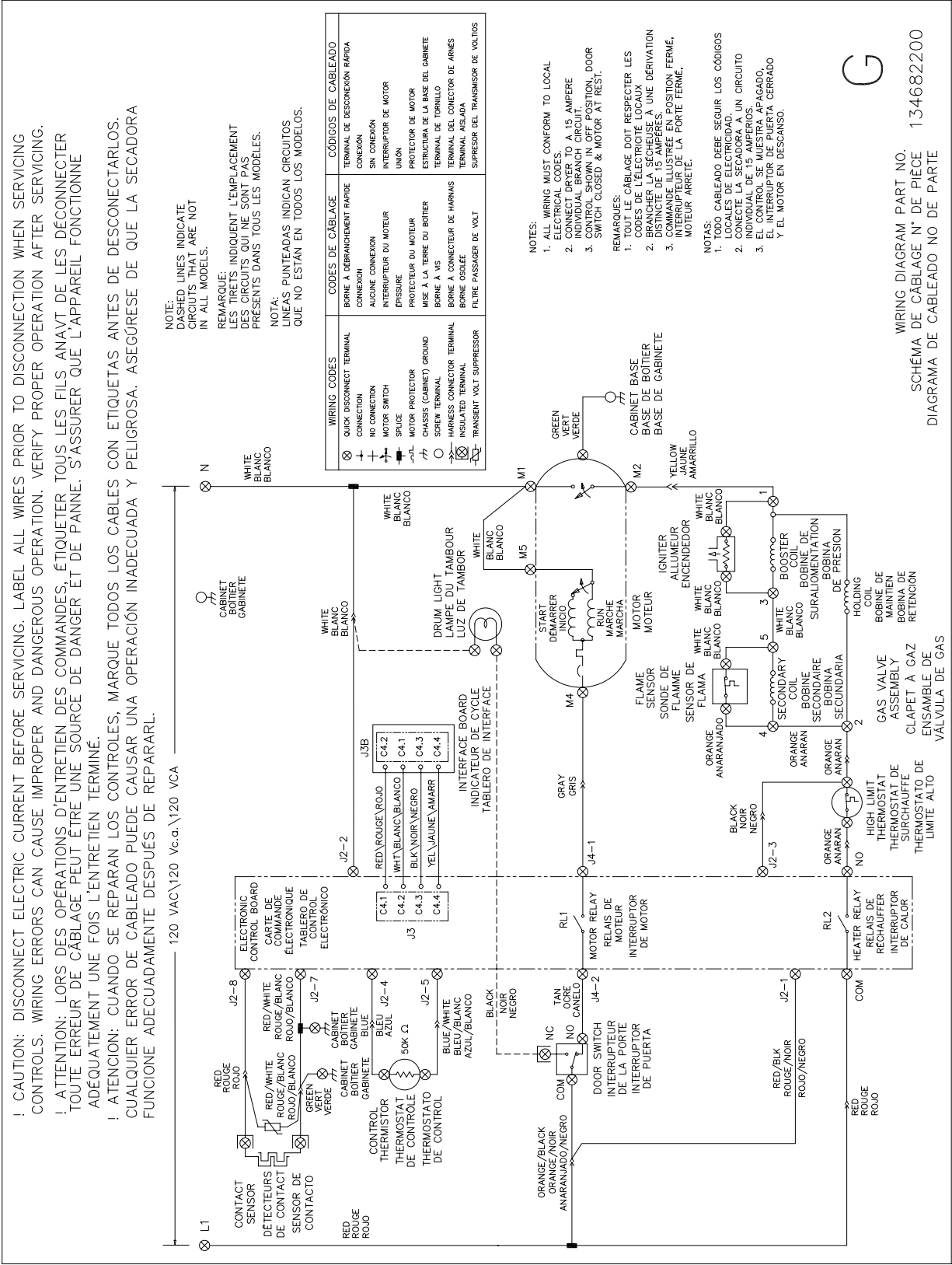
BURNER

POS. NO	PART NO.	DESCRIPTION
2	131168200	Screw, pan head, 8-18B x 0.31
34	131243700	Screw, pan head, 8-18AB x 0.375
55 #	134389600	Wiring Harness, gas valve
61	134122000	Bracket, burner mtg
64	134144900	Pipe, gas, right angle
65	08015112	Cap, pipe
66	134128700	Bushing, coupler
68	134185100	Tail Piece, coupling
69 #	5308015194	Union, hex nut
70 #	5303207409	Valve, gas
71 #	5303307291	Coil, secondary
72 #	5303307292	Coil, booster
73 #	5303207410	Orifice, natural gas, size 44
74 #	134192000	Igniter Assy
77 #	134197700	Burner, gas
79 #	5303281135	Sensor, radiant
80 #	134200801	Tube, burner, riveted
* #	134315100	LP Conversion Kit, natural to LP

WIRING DIAGRAM



WIRING DIAGRAM



WIRING DIAGRAM PART NO. 134682200
 SCHÉMA DE CÂBLAGE N° DE PIÉCE
 DIAGRAMA DE CABLEADO NO DE PARTE