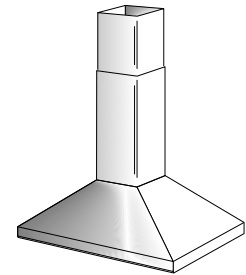


# RANGEMASTER<sup>®</sup> PROVISA 63000 SERIES RANGE HOOD



Designed to draw the eye from every vantage point.

**FEATURES**

- Professional style design
- Stainless steel construction
- Island installations
- Seamless corners for easy cleaning
- Telescopic flue - fits 8 ft. to 9 ft. ceilings
- 8" round (202 mm), vertical discharge
- 900 cfm centrifugal blower
- 3-speed control
- Halogen lighting (4 x 20 W, type T4) (included)
- 3 stylish stainless-steel grease filters are dishwasher safe
- Available size: 70 cm x 100 cm (27<sup>5</sup>/<sub>8</sub>" x 39<sup>3</sup>/<sub>8</sub>" )

**OPTIONS**

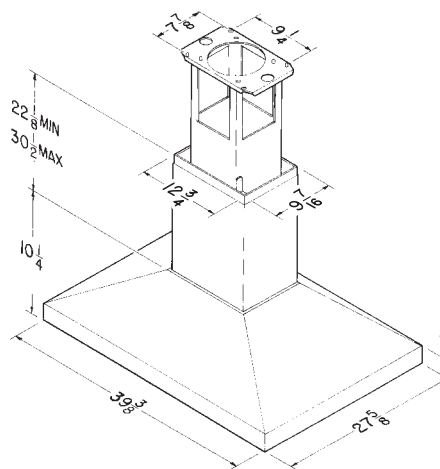
- Replacement grease filter - # B08087485
- Flue Ext for 10' ceiling - # SB08845500

**SPECIFICATIONS**

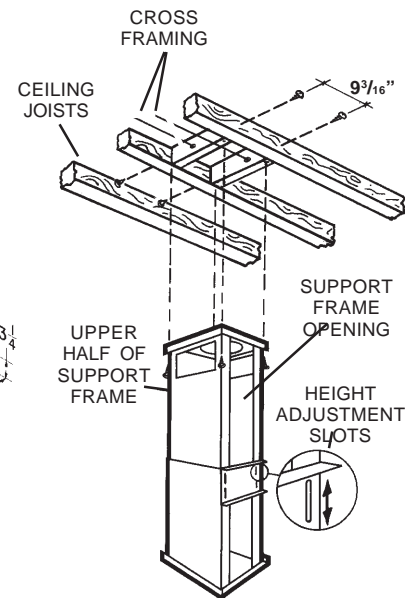
VOLTS	AMPS	CFM (L/S)	DUCT
120	5.5	900 (30)	8" (202 mm) round



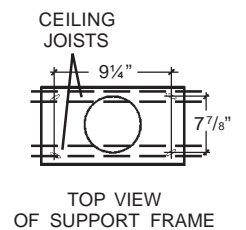
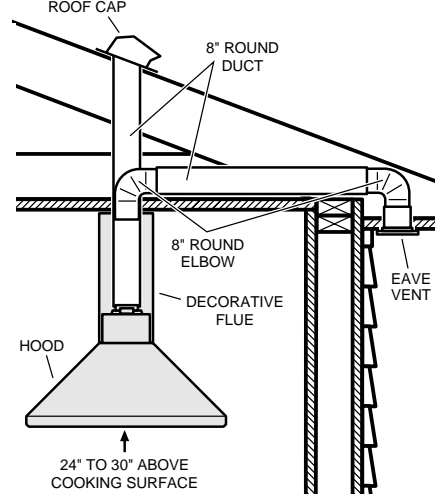
**HOOD DIMENSIONS**



**TYPICAL MOUNTING**



**TYPICAL INSTALLATION**



**Broan-NuTone LLC**, 926 West State Street, Hartford, WI 53027 (1-800-637-1453)  
**NuTone, Inc.**, 4820 Red Bank Road, Cincinnati, OH 45227 (1-800-543-8687)  
**Broan-NuTone Canada, Inc.**, 1140 Tristar Drive, Mississauga, Ontario, L5T 1H9 (1-888-882-7626)

REFERENCE	QTY.	REMARKS	Project
			Location
			Architect
			Engineer
			Contractor
			Submitted By
			Date