

Frigidaire

Factory Parts Catalog

| | |
|----------------|---------------|
| Product No. | FFU13M2HW0 |
| Series | 134A |
| Color | white |
| Volts | 115 |
| Wiring Diagram | 297010201 |
| Owner's Guide | 297080400 |
| Market | North America |
| Energy Guide | 297221201 |



Electrolux Major Appliances
North & Latin America
P.O. BOX 212378
AUGUSTA, GA 30917

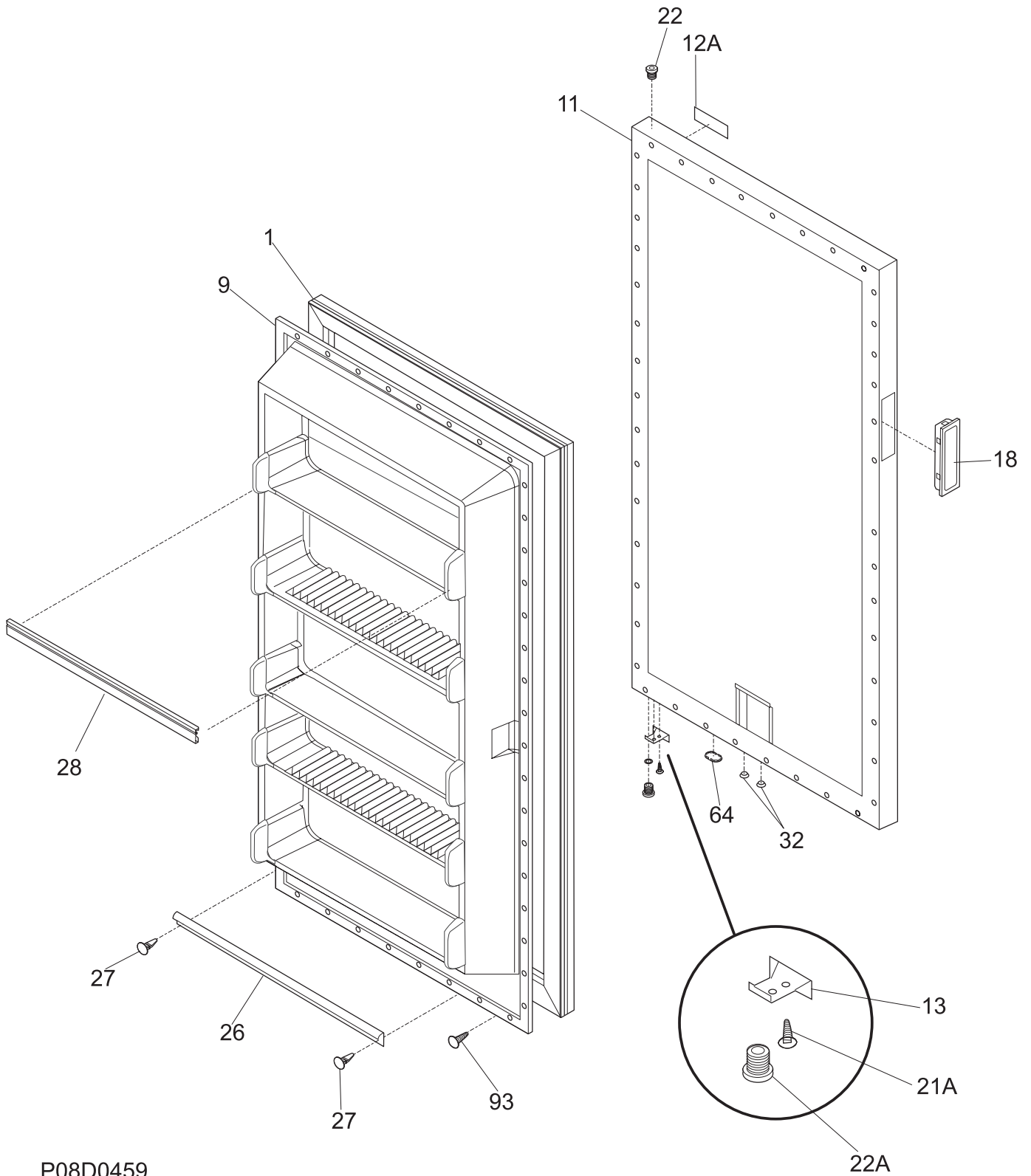
Publication No.
5995506721
08/02/12
(EN/SERVICE/MLR)
365

UPRIGHT FREEZER

Model No.
FFU13M2HW

Copyright © 2008 Electrolux Home Products, Inc.
All rights reserved.

DOOR

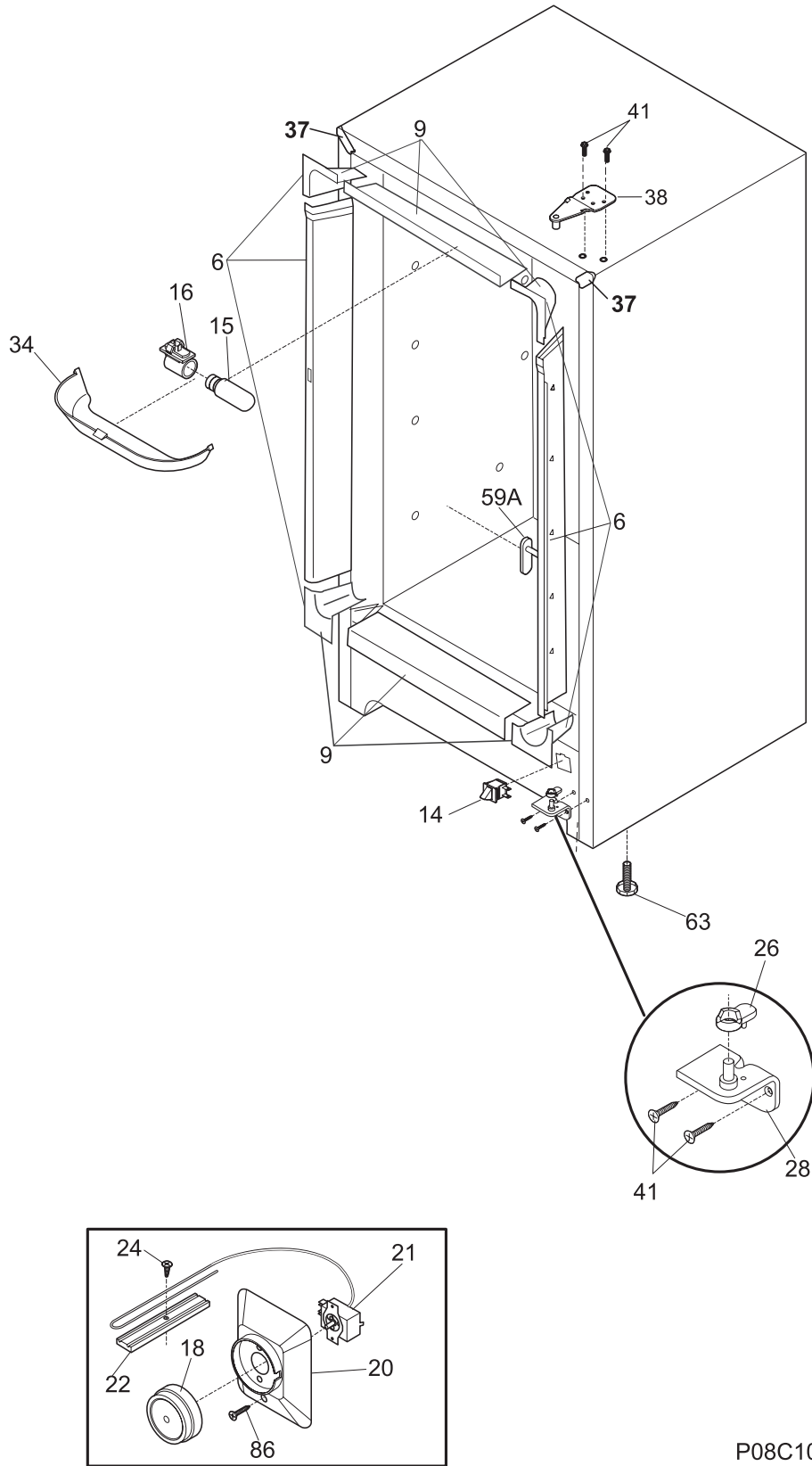


P08D0459

DOOR

| POS. NO | PART NO. | DESCRIPTION |
|---------|------------|---|
| 1 | 216522306 | Gasket, door seal, white |
| 9 | 216527617 | Panel-inner door, frzr |
| 11 | 216557850 | Panel-outer door, white |
| 12A | 216892802 | Nameplate |
| 13 | 08016354 | Door Stop |
| 18 | 297034200 | Handle, recessed, white, incl/gasket |
| 21A | 5304464375 | Screw, door stop mtg, 4.0 x 0.7-19.7, flat hd, metric |
| 22 | 216970800 | Bearing, hinge w/o'ring, top |
| 22A | 297006800 | Bearing-hinge, btm, w/o'ring |
| 26 | 216524300 | Gasket, secondary |
| 27 | 5303212828 | Clip, panel mtg |
| 27* | 5304406520 | Clip, panel mtg kit, (40) |
| 28 | 216951601 | Rack-door, (5) |
| 32 | 5309950074 | Valve, breather |
| 64 | 216403700 | Plug-button, hole filler, door base |
| 93 | 5304460605 | Screw, ph truss head, 8-18AB x 0.500 |

CABINET

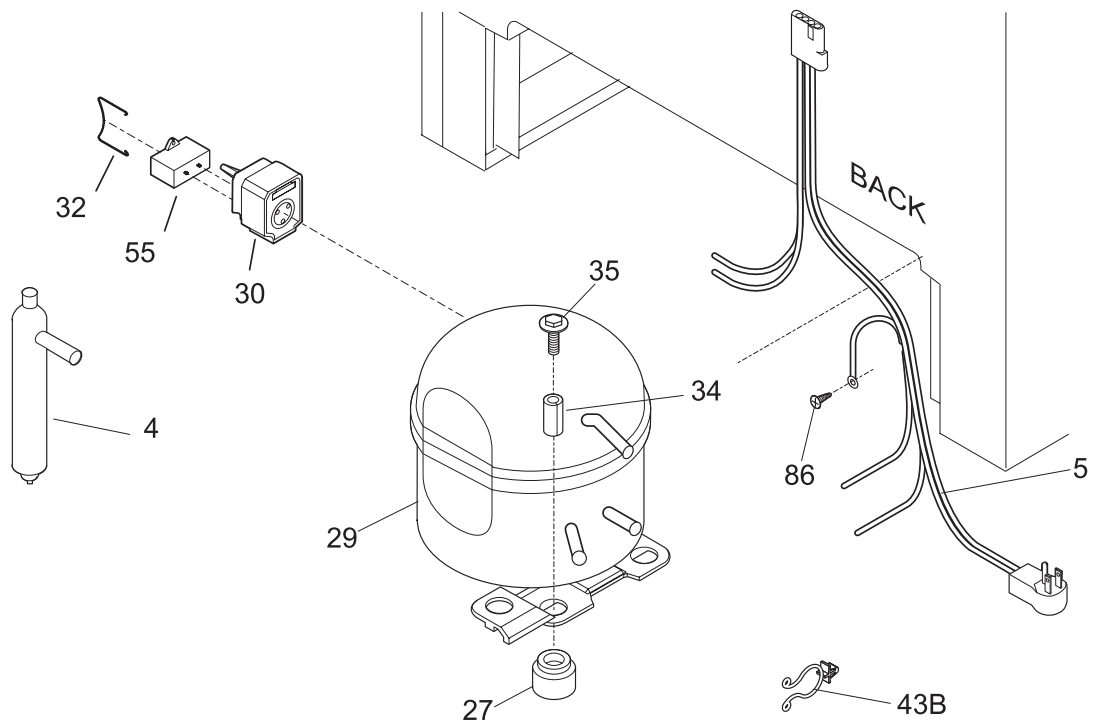
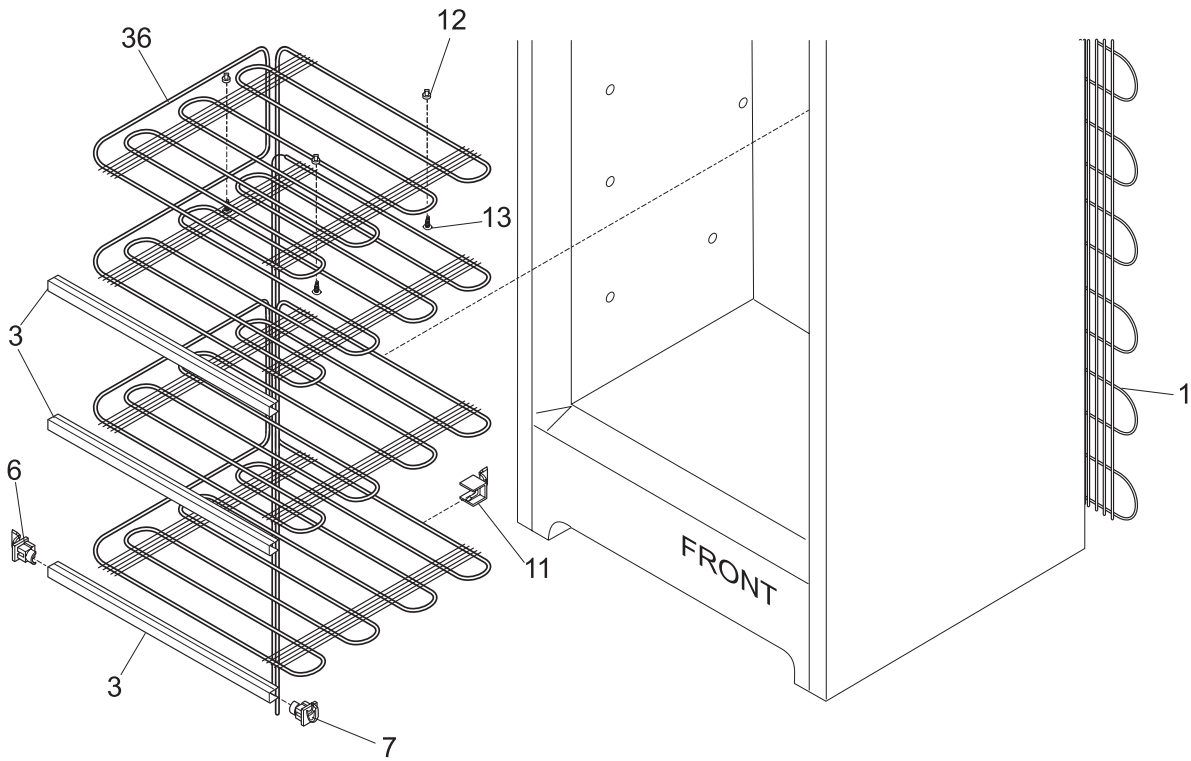


P08C1080

CABINET

| POS. NO | PART NO. | DESCRIPTION |
|---------|------------|--|
| 6 | 297200300 | Breaker Kit w/corners, no lock slot |
| 9 | 297200200 | Breaker Kit w/corners, 28", top and bottom |
| 14 | 216998000 | Switch, light/lamp, ramp |
| 15 | 216846400 | Light Bulb/Lamp |
| 16 | 216817600 | Socket, light/lamp, 25 W |
| 18 | 216707200 | Knob, temp control |
| 20 | 297013800 | Cover-control housing |
| 21 # | 216788100 | Control-temperature |
| 22 | 216823500 | Clamp, cap tube, cold control |
| 24 | 5304460604 | Screw, type A, 10-24 x 3/8 |
| 26 | 216503300 | Ramp, door closer |
| 28 | 297164500 | Hinge-bottom, stepped pin |
| 34 | 297184400 | Shield-light |
| 37 | 241611301 | Trim-cabinet corner, white, (2) |
| 38 | 297164300 | Hinge-upper |
| 41 | 240578902 | Screw, hex head, 1/4-20 x 5/8 |
| 63 | 216396900 | Screw, leveling foot, plastic, adjustable |
| 86 | 216036601 | Screw, RWHD, 8-32A x 0.500, GX-CA |
| * | 297001704 | Insulation, 24", drain tube |
| * | 297221201 | Energy Guide |
| * | 5303305324 | Paint, touch-up, white |

SYSTEM



P08S0419

SYSTEM

| POS. NO | PART NO. | DESCRIPTION |
|---------|------------|--|
| 1 # | 5300123788 | Condenser |
| 3 | 216847804 | Trim-shelf, white, evaporator |
| 4 | 216987500 | Drier-filter |
| 5 # | 297173100 | Harness-main |
| 6 | 297001600 | Support-shelf, front LH |
| 7 | 297001500 | Support-shelf, front RH |
| 11 | 216474600 | Support-rear shelf |
| 12 | 216225700 | Grommet-spacer |
| 13 | 216138901 | Screw, hex sems, 8-18AB x 1.00, evap |
| 27 | 5308002681 | Grommet, compressor |
| 29 # | 297199800 | Compressor, w/grommets |
| 30 | 216954217 | Controller |
| 32 | 216954300 | Clip, controller |
| 34 | 5306594529 | Sleeve-compressor |
| 35 | 5304460607 | Screw, lnd hex sems, 1/4-28 unfx, compressor |
| 36 # | 297157500 | Evaporator, tubing assy, white |
| 43B | 297048400 | Clip |
| 55 | 216985000 | Capacitor, run, 10MF |
| 86 | 216036601 | Screw, RWHD, 8-32A x 0.500, GX-CA |
| * | 216502500 | Sleeve, suction line |
| * # | 297169900 | Cord-power, flat |