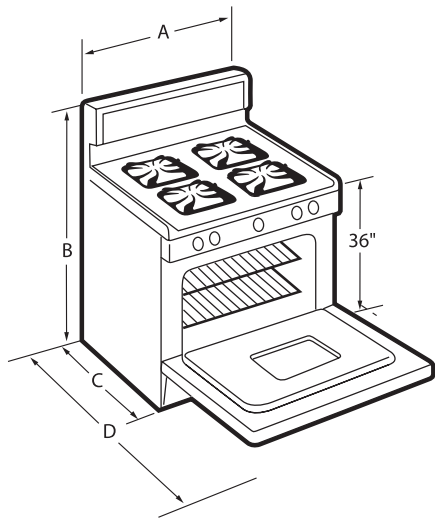
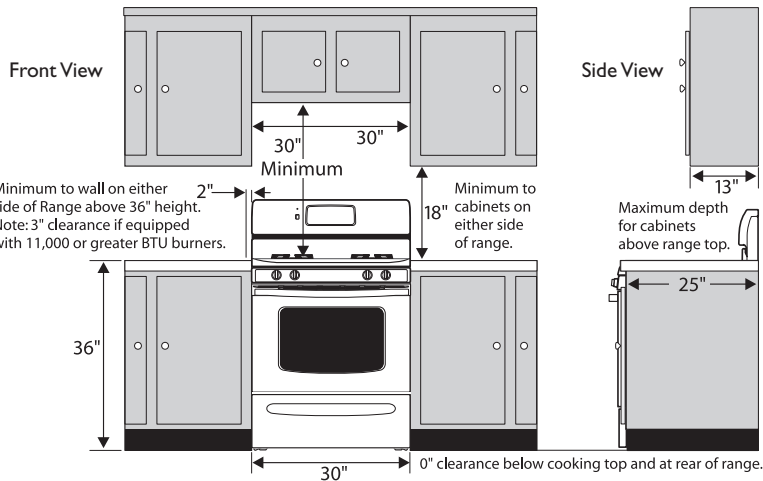


INSTALLATION

The following dimension and cutout information is for planning purposes only. For complete installation details consult manual packed with product, or download manual at Customer Service, online at www.frigidaire.com.



Installation with Kitchen Cabinets



See specification chart for variable dimensions.