

Frigitaire

Factory Parts Catalog

Product No.	FRT15G4BQ7	FRT15G4BW7
Series	R134a	R134a
Color	bisque	white
Volts	115	115
Wiring Diagram	240398801	240398801
Owner's Guide	240400113	240400113
Market	North America	North America
Energy Guide	218791414	218791414
Service Data Sheet	240379017	240379017
Installation Instructions	240568301	240568301

 **Electrolux**

Electrolux Major Appliances
North & Latin America
P.O. BOX 212378
AUGUSTA, GA 30917

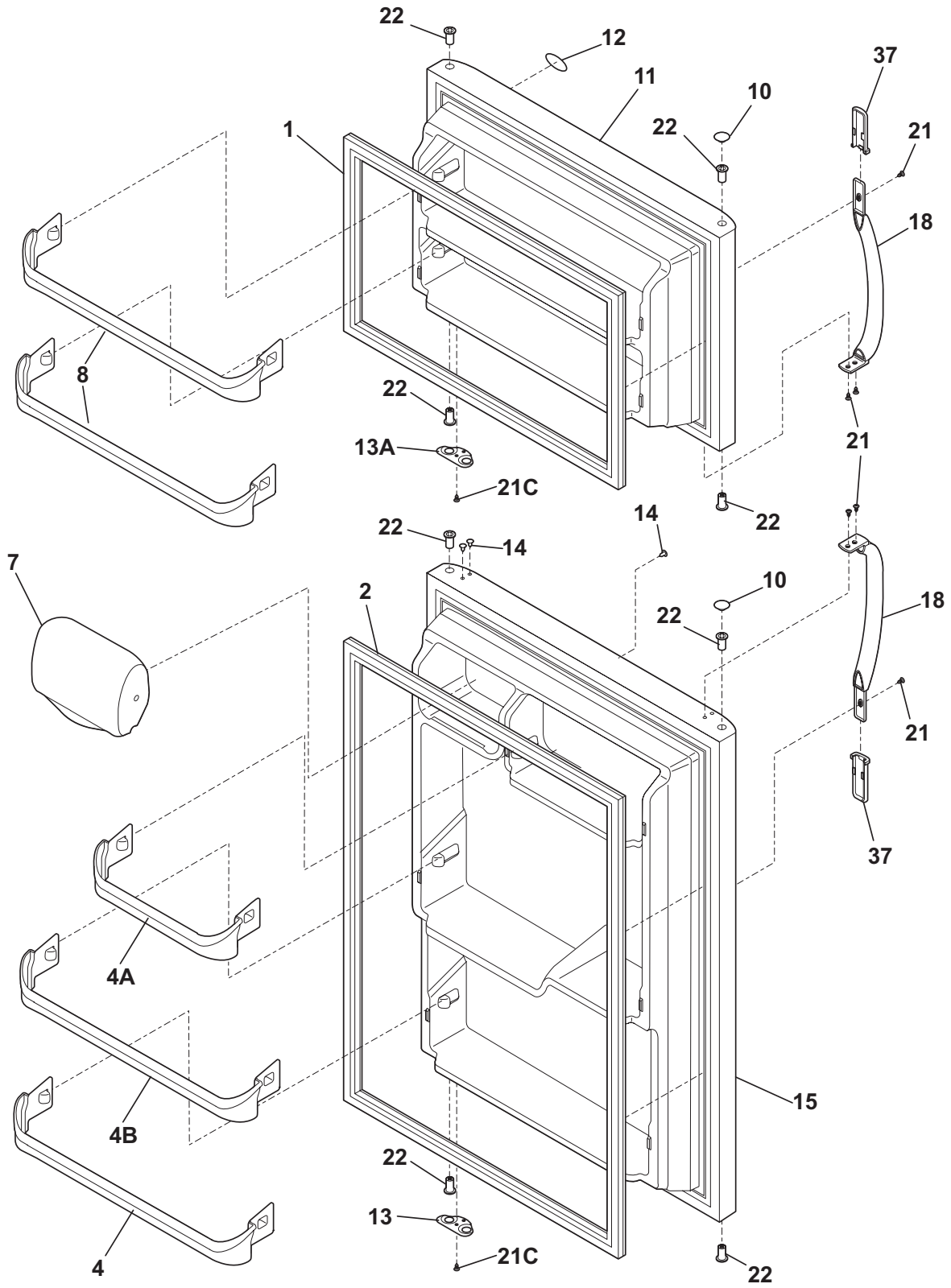
Publication No.
5995456265
05/12/13
(EN/SERVICE/WC)
390

**TOP-MOUNT
REFRIGERATOR**

**Model No.
FRT15G4B**

Copyright © 2005 Electrolux Home Products, Inc.
All rights reserved.

DOOR



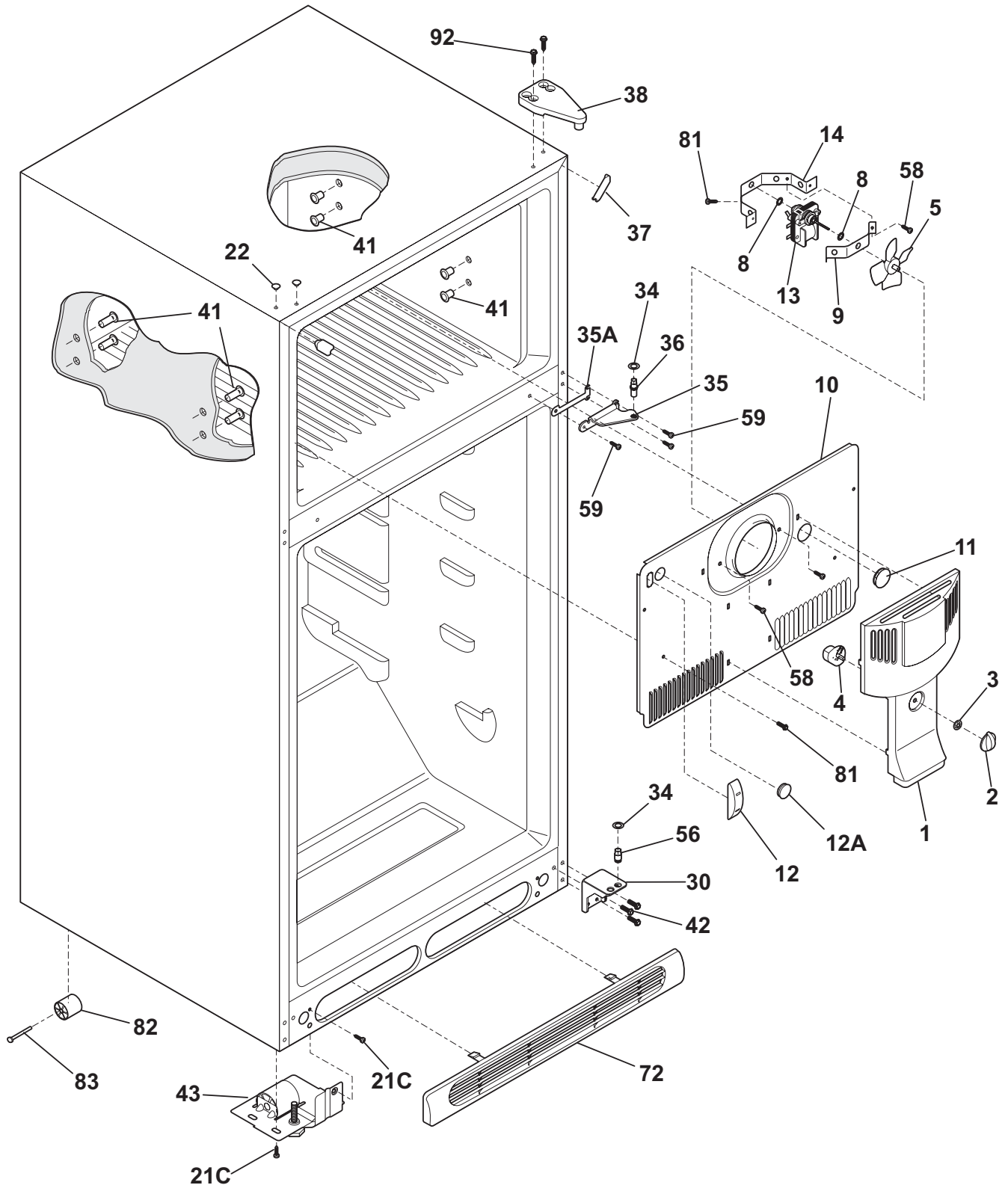
N05DAACJA0

DOOR

Model Index: A FRT15G4B (FRT15G4BQ7)
 B FRT15G4B (FRT15G4BW7)

POS. NO	PART NO.		DESCRIPTION
1 #	240554113	A B	Gasket-frzr door, white, magnetic
2 #	240542114	A B	Gasket-refr door, white, magnetic
4	240535101	A B	Rack-door
4A	240535301	A B	Rack-door
4B	240535201	A B	Rack-door
7	240337703	A B	Door-dairy, w/o graphics, clear
8	240535001	A B	Rack-door
10	240381302	A -	Plug-button, bisque, hinge brg hole, (2)
10	240381301	- B	Plug-button, white, hinge brg hole, (2)
11	240415402	A -	Door, frzr, bisque
11	240415401	- B	Door, frzr, white
12	240415203	A -	Label-nameplate, bisque
12	240415201	- B	Label-nameplate, white
13	240312407	A -	Door Stop, bisque, ref
13	240312403	- B	Door Stop, white, ref
13A	240312408	A -	Door Stop, bisque, frzr
13A	240312404	- B	Door Stop, white, frzr
14	240494002	A -	Plug-button, bisque
14	240494001	- B	Plug-button, white
15	240415502	A -	Door, refr, bisque
15	240415501	- B	Door, refr, white
18	218668004	A -	Handle-door, bisque
18	218668001	- B	Handle-door, white
21	240383401	A B	Screw, truss hd quad, #10-16 x .500
21C	218252200	A B	Screw, #8 truss hd, 10-32CA x 0.500
22	240527101	A B	Bearing-hinge, natural color
37	215870633	A -	Trim-handle, 2.47", bisque, w/satin AL band
37	215870629	- B	Trim-handle, 2.47", white, w/satin AL band
37*	218676004	A B	Band-decorative, satin aluminum, handle trim

CABINET



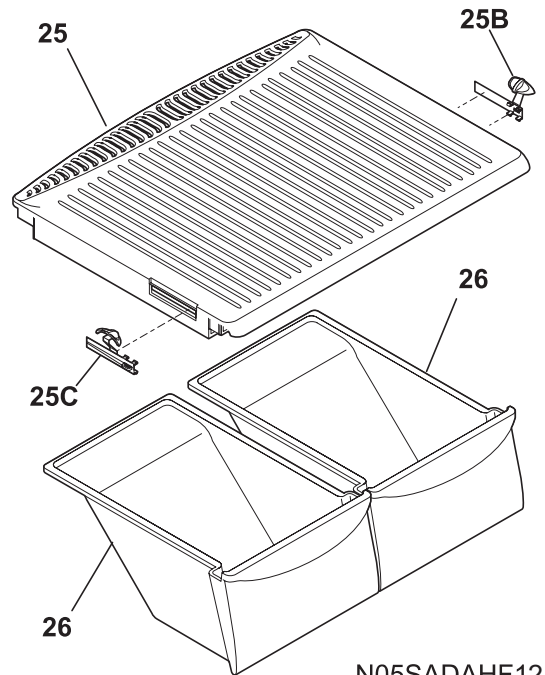
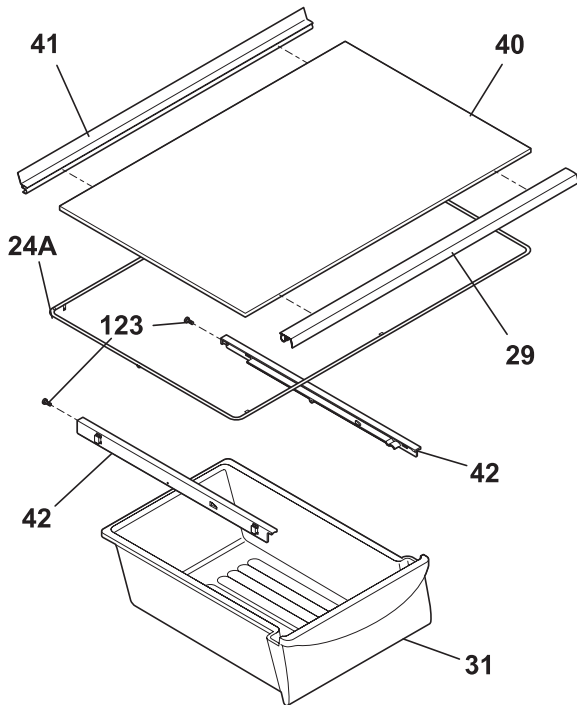
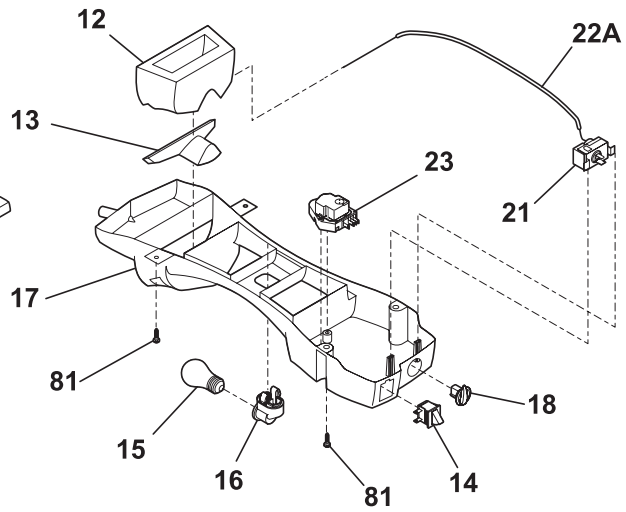
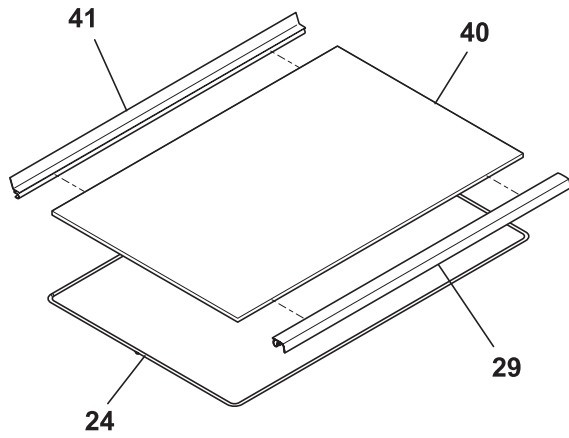
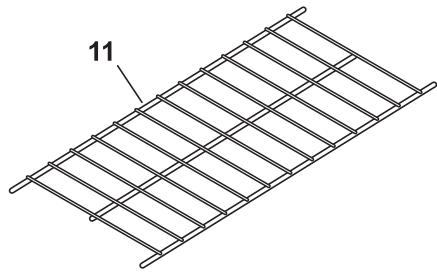
N05BBAABA23

CABINET

Model Index: A FRT15G4B (FRT15G4BQ7)
B FRT15G4B (FRT15G4BW7)

POS. NO	PART NO.		DESCRIPTION
1	241652301	A B	Cover-fan
2	240367001	A B	Knob-damper control
3	5303001028	A B	Nut, push-on
4	241523701	A B	Damper-fan cover
5 #	5308000010	A B	Fan Blade, red, evaporator fan
8	5300157666	A B	Bushing-motor mtg, (2)
9	5303292396	A B	Bracket-motor mtg, front
10	241652211	A B	Cover-evap coil
10*	240568601	A B	Seal-coil cover
10*#	241520701	A B	Harness-wiring, freezer
11	5303208309	A B	Plug-hole, factory test
12	241557601	A B	Plug-ice maker harness, rectangular
12*	218843800	A B	Screw, hex wshr hd, 8-15A x 0.500
12A	240374401	A B	Plug-wtr inlet tube, round, 1"
12A*	241586701	A B	Plug-foam-wtr-inlet, round
13	240369702	A B	Motor-evap fan
13*	215474201	A B	Washer, "slinger", nylon, evap fan shaft
13*	218931001	A B	Clamp-motor wiring, nylon, w/adhesive tape
14	5303292397	A B	Bracket-motor mtg, rear
14*	5303274237	A B	Screw, hex washer head, 8-32CA x 0.500, motor bracket
21C	218252200	A B	Screw, #8 truss hd, 10-32CA x 0.500
22	215774919	A -	Plug-button, bisque, upr hinge holes
22	215774901	- B	Plug-button, white, upr hinge holes
30	240357101	A B	Bracket-lower hinge, zinc chromate
34	240311303	A B	Washer, hinge, nylon, (2)
35	240357001	A B	Bracket-ctr hinge, zinc
35A	240336802	A B	Spacer-hinge, center
36	240516401	A B	Pin-center hinge
37	241611304	A -	Trim-cabinet corner, bisque, (2)
37	241611301	- B	Trim-cabinet corner, white, (2)
38	241622504	A -	Bracket-upper hinge, plastic, bisque
38	241622501	- B	up-hinge, plastic, white
41	5303001609	A B	Grommet, shelf mtg, 0.69", RH
41*	5308009759	A B	Grommet, shelf mtg, 1.25", LH, (4)
42	240578901	A B	Screw-hinge mtg, hex head, 1/4-20 x 5/8
43	241559602	A B	Roller Assy, fixed, front LH
43*	241559601	A B	Roller Assy, fixed, front RH
56	240516501	A B	Pin-lower hinge
58	5303001343	A B	Screw, hex washer head, 8-15A x 0.500
59	240442701	A B	Screw-#10-32 X 3/4, zinc
72	240368302	A -	Grille/Kickplate, bisque, lower front
72	240368301	- B	Grille/Kickplate, white
81	5308016566	A B	Screw, hex washer head, 8-15A x 0.625, low profile
82	5304418225	A B	Roller, compressor base, rear, (2)
83	5303316859	A B	Rivet, flat head, 1/4 OD x 1-3/4, roller pin
92	241624301	A B	Screw-hinge mtg, hex head, 1/4-20 x 1.00
*	218515401	A B	Clip
*	240479601	A B	Plug, button, cab liner holes, (2)
*	5304414035	A -	Paint, touch-up, bisque
*	5303305324	- B	Paint, touch-up, white

SHELVES



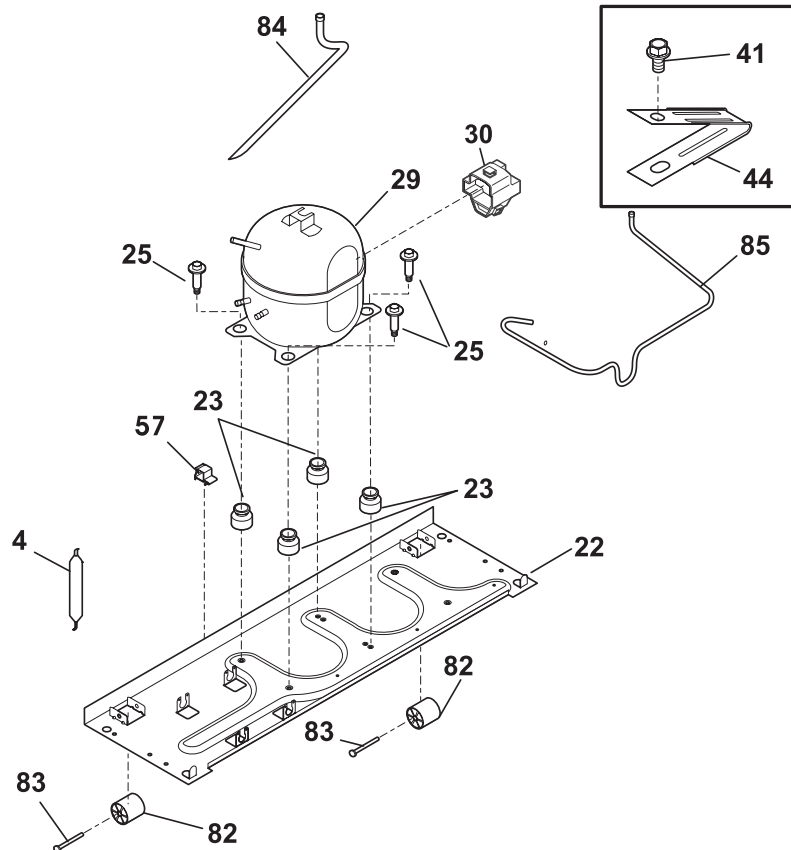
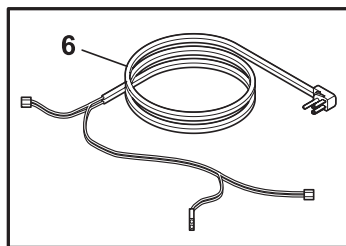
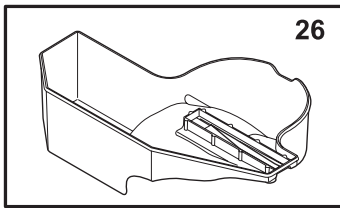
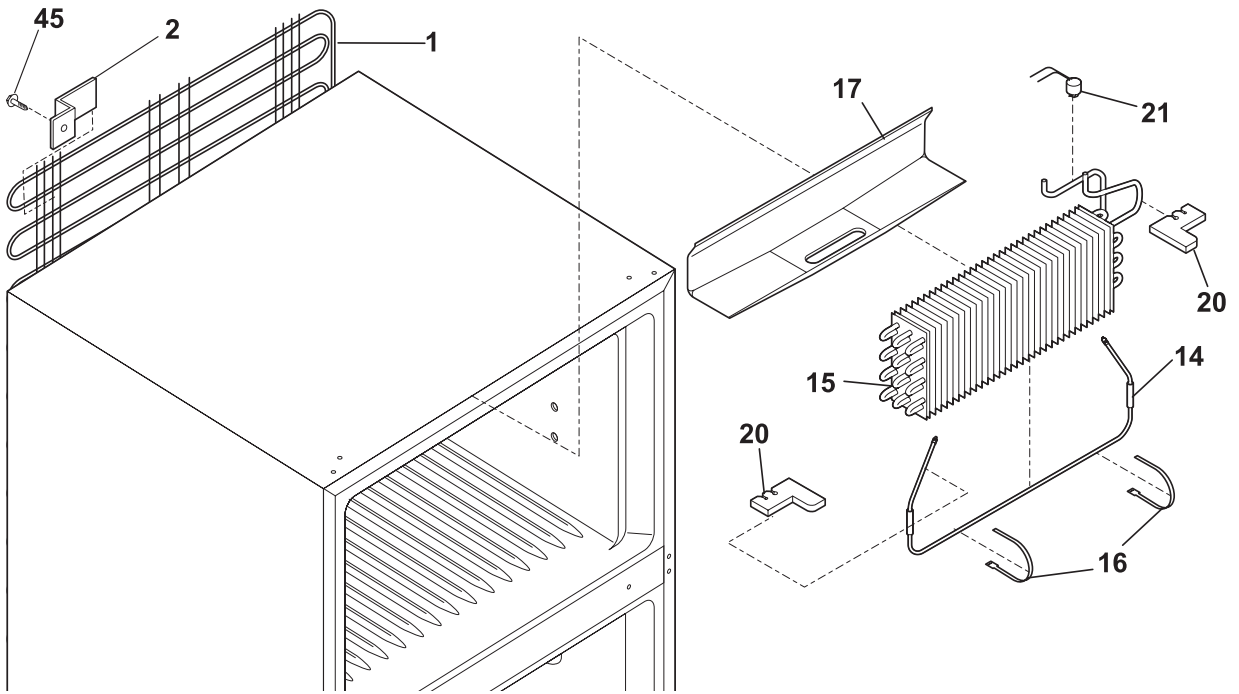
N05SADAHF12

SHELVES

Model Index: A FRT15G4B (FRT15G4BQ7)
 B FRT15G4B (FRT15G4BW7)

POS. NO	PART NO.		DESCRIPTION
11	240358004	A B	Shelf, freezer
11*	5303299664	A B	Spacer, shelf
12	241542001	A B	Diffuser, air, top
13	240362601	A B	Diffuser, air, bottom
14	241554901	A B	Switch-light/lamp
15	240436702	A B	Light Bulb/Lamp, A-15, clear, 40 W, 120 V, miniature
16	241559801	A B	Socket-light
17	240368001	A B	Control Box
17*#	240388701	A B	Wiring Harness, control box
18	240360801	A B	Knob, temp control
21 #	5304421256	A B	Control, temperature
22A	240468201	A B	Tube, sensor sleeve, 31 inch, plastic, white
23 #	241621501	A B	Timer-defrost
23*	5303001259	A B	Screw-timer mtg, pan hd, 6-20 x 0.438, (2)
24	240372401	A B	Frame, sliding shelf, full width
24A	240372404	A B	Frame, sliding shelf, full width, w/hanger tabs
25	240364722	A B	Cover-crisper pan
25B	241613501	A B	Control-humidity, RH
25C	241613502	A B	Control-humidity, LH
26	240364507	A B	Pan, crisper, (2)
29	240357703	A B	Trim, shelf, front
31	240530810	A B	Pan, meat bin
40	240350619	A B	Panel, glass shelf, full width
41	240561501	A B	Trim-shelf, 22.16", rear
42	240530601	A B	Track, meat pan hanger, LH
42	240530701	A B	Track, meat pan hanger, RH
81	5308016566	A B	Screw, hex washer head, 8-15A x 0.625, low profile
123	215005100	A B	Screw, hanger/r/r mtg, 8-10 x 0.438

SYSTEM



N05CBBBAC3

SYSTEM

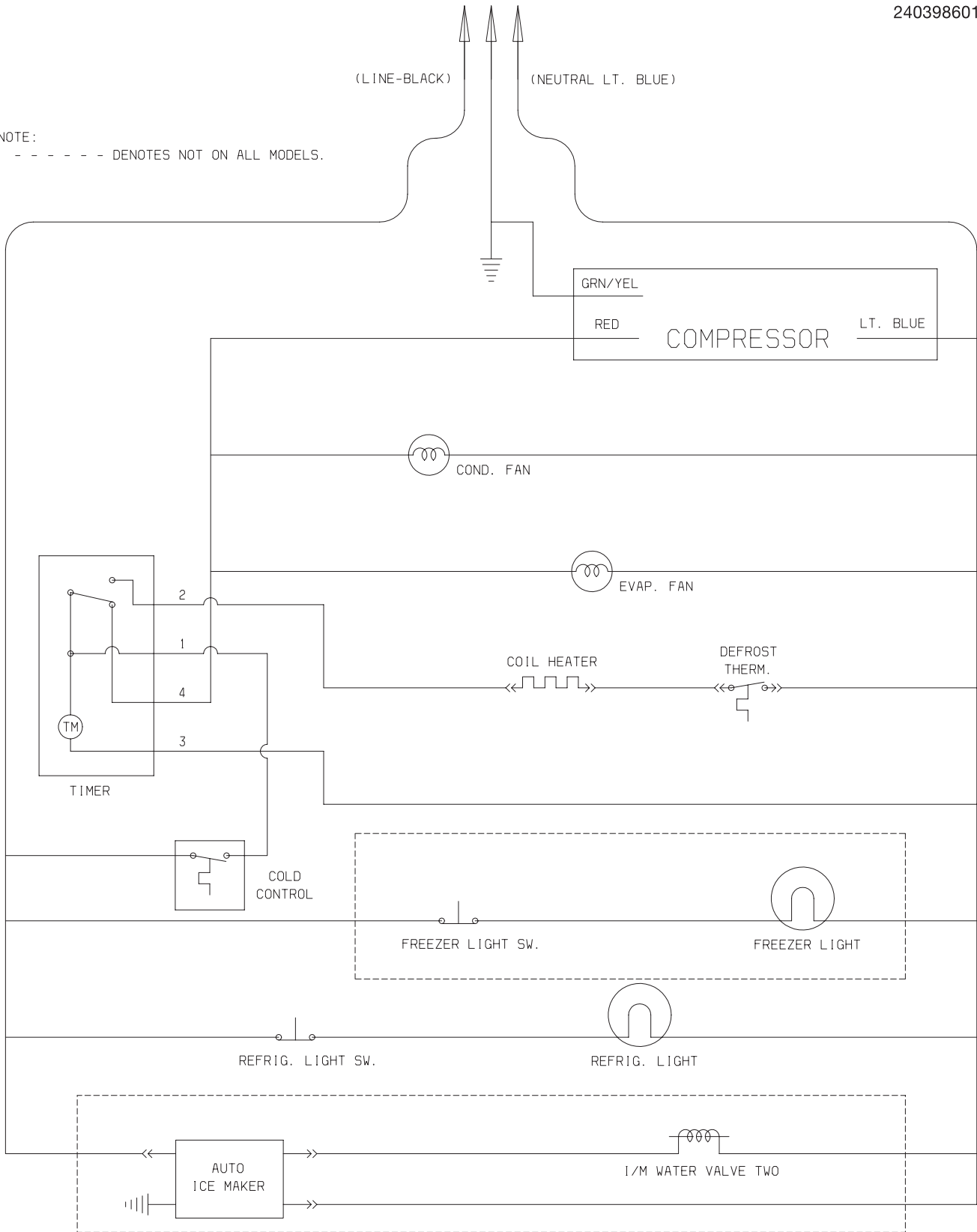
Model Index: A FRT15G4B (FRT15G4BQ7)
 B FRT15G4B (FRT15G4BW7)

POS. NO	PART NO.		DESCRIPTION
1 #	240406407	A B	Condenser, static
1*	240405201	A B	Grommet, rubber, black, cond tube/wire
1*	5303208866	A B	Spacer, condenser tube, black
2	5308000296	A B	Bracket, condenser mtg, (4)
2*	5308009617	A B	Washer, ext tooth lock, #10, grounding
4 #	218944001	A B	Drier-filter, R134a System
6	241678801	A B	Harness-wiring, machine compt
6*	241520701	A B	Harness-wiring, freezer
6* #	240388701	A B	Wiring Harness, control box
14 #	240356213	A B	Heater-defrost
15	5303918275	A B	Evaporator Kit
16	5308000110	A B	Strap-evap/heater, aluminum, (2)
17	241551802	A B	Trough-drain
20	241551901	A B	Insulation Block
21 #	5303918202	A B	Thermostat-defrost, kit
22	241602005	A B	Base-compressor
22*	218252200	A B	Screw, #8 truss hd, 10-32CA x 0.500
23	218513300	A B	Grommet-compr mtg, (4)
25	240491501	A B	Screw-compressor mtg, 1/4-28 x 1.16, shoulder, typ CF
26	240598501	A B	Pan-defrost drain
26*	5304434992	A B	Thermal Mastic
29 #	5303918326	A B	Compressor, w/electricals
30 #	241667501	A B	Relay Combo
41	240433202	A B	Screw, hex washer head, 8-18 x 5/16
44	5303001199	A B	Clamp-wiring harness, strain relief, galv steel
45	5308016566	A B	Screw, hex washer head, 8-15A x 0.625, low profile
57	240542601	A B	Clip-wiring harness
82	5304418225	A B	Roller, compressor base, rear, (2)
83	5303316859	A B	Rivet, flat head, 1/4 OD x 1-3/4, roller pin
84	241505701	A B	Tube-drain, lower
85	241544301	A B	Tube-connector, suction
*	240396801	A B	Clamp, tube/wiring, nylon, black/natural
*	5303918234	A B	Hot Tube Repair Kit, service
*	5303918263	A B	Heat Exchanger Kit, suction line

WIRING SCHEMATIC

240398601

NOTE:
- - - - - DENOTES NOT ON ALL MODELS.



WIRING DIAGRAM

