



COUNTER-DEPTH REFRIGERATOR **E23CS78EPS**



Counter-Depth Refrigerator Specifications

- Product Weight – 300 Lbs.
- When installing next to wall where handle may make contact, allow 3" clearance on side of refrigerator.

Standard "Built-In Look" Specifications

- For standard "Built-In Look," enclosure around refrigerator must have minimum opening of 70-1/4"H x 36"W x 24"D.
- The height dimension of 70-1/4" is minimum, and is to be measured from finished floor to underside of soffit or overhead cabinet.
- All wall/floor molding should be removed prior to installation.
- Water recess on rear wall recommended to prevent water line damage. Water line tubing recommended is 48" minimum length by 1/4" diameter.
- When possible, recess both copper water line and electrical outlet (See Local Electrical Codes.)
- Front rollers are adjustable for "Built-In Look."
- If optional Collar Trim Kit (ECK23CDS) is to be used or anticipated, refer to Collar Trim Kit Specifications and drawings for different rough-in dimensions.

OPTIONAL – Collar Trim Kit Specifications

- To use optional Collar Trim Kit, an enclosure is required around refrigerator having a minimum opening of 70-1/4"H x 36-1/8"W x 24-1/2"D with 1/2" minimum side panels.
- Add maximum of 1/4" to 70-1/4" opening height when installed with frameless-style overhead cabinets, to allow for door opening clearance.
- The cabinet or soffit above refrigerator must extend out to same depth as side panels.
- To provide additional clearance for overhead cabinet doors when in open position, allow 1" between bottom of cabinet door and top of collar trim piece.
- A minimum width of 36-1/8" is required for refrigerator installation with an additional 1/2" or 3/4" added for each side panel.
- If 1/2" side panels are used, then side collar trim piece and panel will be even. If 3/4" side panels are used, then 1/4" of side panel will extend beyond collar trim and must be finished.

Smudge-Resistant™ Real Stainless Steel

Real stainless steel exterior with a coating resistant to fingerprints, smudges and smears. Finish covers the cabinet, dispenser fascia, toe kick and hinge cover.

PureAdvantage™ Filtration System

The most advanced water filtration system available offers cleaner, fresher ice and water. And it is simple to operate, providing a light that alerts when the filter needs to be changed. With one touch, the drip-free cartridge is replaced.

Dynamic Cool™ with Easy Set™ Digital Temperature Control System

Amazingly consistent interior temperature will keep your food fresher longer.

Illumination Solutions

Transition lighting that is so thoughtfully designed that it gradually illuminates the interior of the refrigerator with soft but ample light.

Smooth-Glide™ Full-Extension System

Crispers, deli drawer and freezer basket slide in and out with ease, extending completely for convenient access to stored food.

Express Ice™/ Express Freeze™

Creates ice according to your family's needs and quickly freezes food to lock in flavors and nutrients, with the touch of a button.

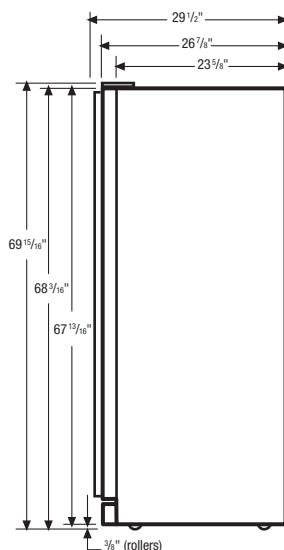
SmartFit™ / SpillSafe™ Shelf

Top shelf height can be raised or lowered without removing your foods. Stores tall items easily. Shelf depth will contain a spill of up to 24 ounces.

ENERGY STAR™

UltraQuiet variable-speed, energy-efficient compressor conserves energy.

Note: Refer to Product Installation Guide for detailed instructions on the web at www.electroluxusa.com.



COUNTER-DEPTH REFRIGERATOR

ENERGY STAR®	Yes
--------------	-----

CAPACITIES

Total Capacity	22.6 Cu. Ft.
Fresh Food Volume	14.06 Cu. Ft.
Freezer Volume	8.50 Cu. Ft.
Total Shelf Area	23.70 Sq. Ft.
Fresh Food Shelf Area	17.26 Sq. Ft.
Freezer Shelf Area	6.40 Sq. Ft.

ICE / WATER DISPENSER

Control Panel Buttons	7
Lighted Actuators	Yes
Night Light	Yes
Crushed/Cubes/Water	Yes
Express Ice™	Yes
Express Freeze™	Yes
Lock	Yes
Filter Reset	Yes

FRESH FOOD CONVENIENCES

Filtration System	PureAdvantage™
Filter Location	Front
Temperature Alarm	Yes
Door Ajar Alarm	Yes
Power Failure Alarm	Yes
Sliding SpillSafe™ Glass Shelf	2
Smooth-Glide™ Full-Extension Crispers	2
Smooth-Glide™ Full-Extension Deli Drawer	1
SmartFit™ Sliding SpillSafe™ Glass Shelf	1
Clear 1-Gallon Removable Door Bin	1
Clear 2-Liter Adjustable Door Bin	2
Removable Dairy Compartment with Clear Door	1
Clear Temperature-Controlled Deli/Meat Drawer	1
Condiment Bottle Door Storage	1
Dual Humidity-Controlled Clear Crisper	1
Lower Humidity-Controlled Clear Crisper	1
Clear Can/Wine Rack	1
Clear Tall Bottle Retainer	1
In-Door Can Rack	1
Illumination Solutions Lighting	Yes
Dynamic Cool™ Digital Temperature Control System	Yes

FREEZER CONVENIENCES

Automatic Ice Maker with Ice Server	Factory Installed
Ice Maker On/Off Switch	Yes
Glass Shelf	2
Smooth-Glide™ Full-Extension Freezer Basket	1
Full Basket	1
Half Basket	1
Fixed Door Bin	1
Tilt-Out Wire Door Rack	3
Ice Cream Shelf	Yes
Dual-Level Lighting	Yes

INSTALLATION

Adjustable Rollers	Yes
Door Stops	Yes

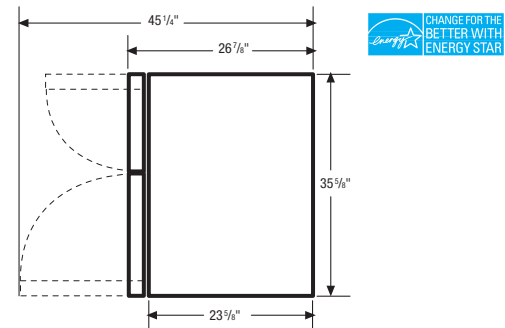
ACCESSORIES

Collar Trim Kit – ECK23CDS	Optional
----------------------------	----------

SPECIFICATIONS

Rough-In Dimensions –	
Height	70-1/4"
Width	36"
Depth	24"
Product Weight	300 Lbs.
Shipping Weight	325 Lbs.
UPC (0-12505-)	69143-0

NOTE: Always consult local and/or national electric codes. Refer to Product Installation Guide for detailed installation instructions on the web at www.electroluxusa.com.



High standards of quality at Electrolux Home Products mean we are constantly working to improve our products. We reserve the right to change specifications or discontinue models without notice.



USA • 250 Bobby Jones Expressway • Augusta, GA 30907
1-877-4electrolux (1-877-435-3287) • www.electroluxusa.com

CANADA • 5855 Terry Fox Way • Mississauga, ON L5V 3E4
1-800-668-4606 • www.electroluxca.com