

Frigidaire

Factory Parts Catalog

Product No.	GLRT13TEB3	GLRT13TEK5	GLRT13TEQ3	GLRT13TES5	GLRT13TEW3
Series	Gallery/R134a	Gallery/R134a	Gallery/R134a	Gallery/R134a	Gallery/R134a
Color	black	stain/blk (LH)	bisque	stain/blk (RH)	white
Volts	115	115	115	115	115
Wiring Diagram	240398801	240398801	240398801	240398801	240398801
Owner's Guide	240400112	240400112	240400112	240400112	240400112
Market	North America	North America	North America	North America	North America
Energy Guide	241615404	241615404	241615404	241615404	241615404
Service Data Sheet	240379014	240379014	240379014	240379014	240379014
Installation Instructions	240568300	240568300	240568300	240568300	240568300



Electrolux Major Appliances
 North & Latin America
 P.O. BOX 212378
 AUGUSTA, GA 30917

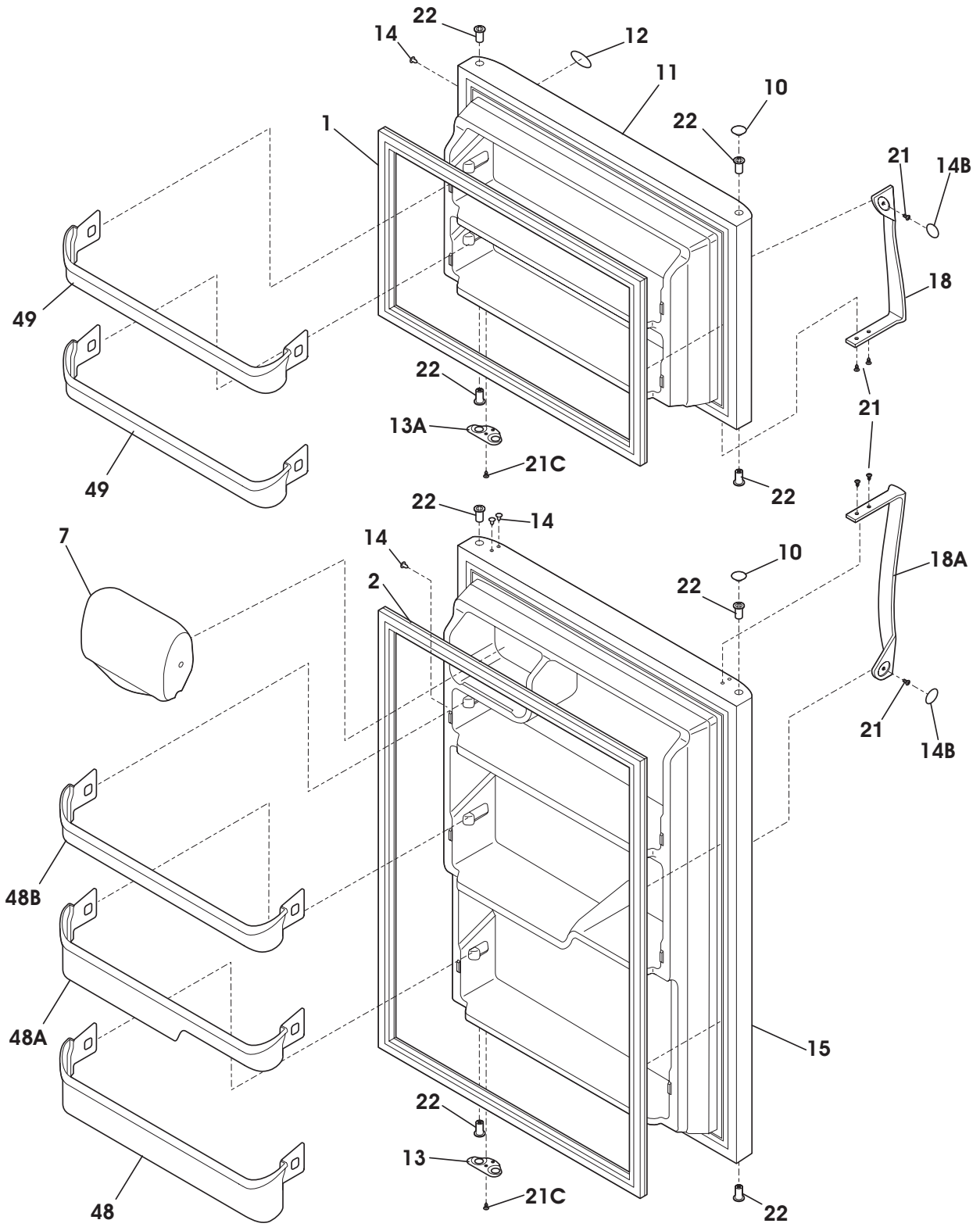
Publication No.
5995451571
 05/10/17
 (EN/SERVICE/WC)
 357

**TOP-MOUNT
 REFRIGERATOR**

**Model No.
 GLRT13TE**

Copyright © 2005 Electrolux Home Products, Inc.
 All rights reserved.

DOOR



N05DCDBCA1

DOOR

Model Index: A GLRT13TE (GLRT13TEB3)
 B GLRT13TE (GLRT13TEK5)
 C GLRT13TE (GLRT13TEQ3)
 D GLRT13TE (GLRT13TES5)
 E GLRT13TE (GLRT13TEW3)

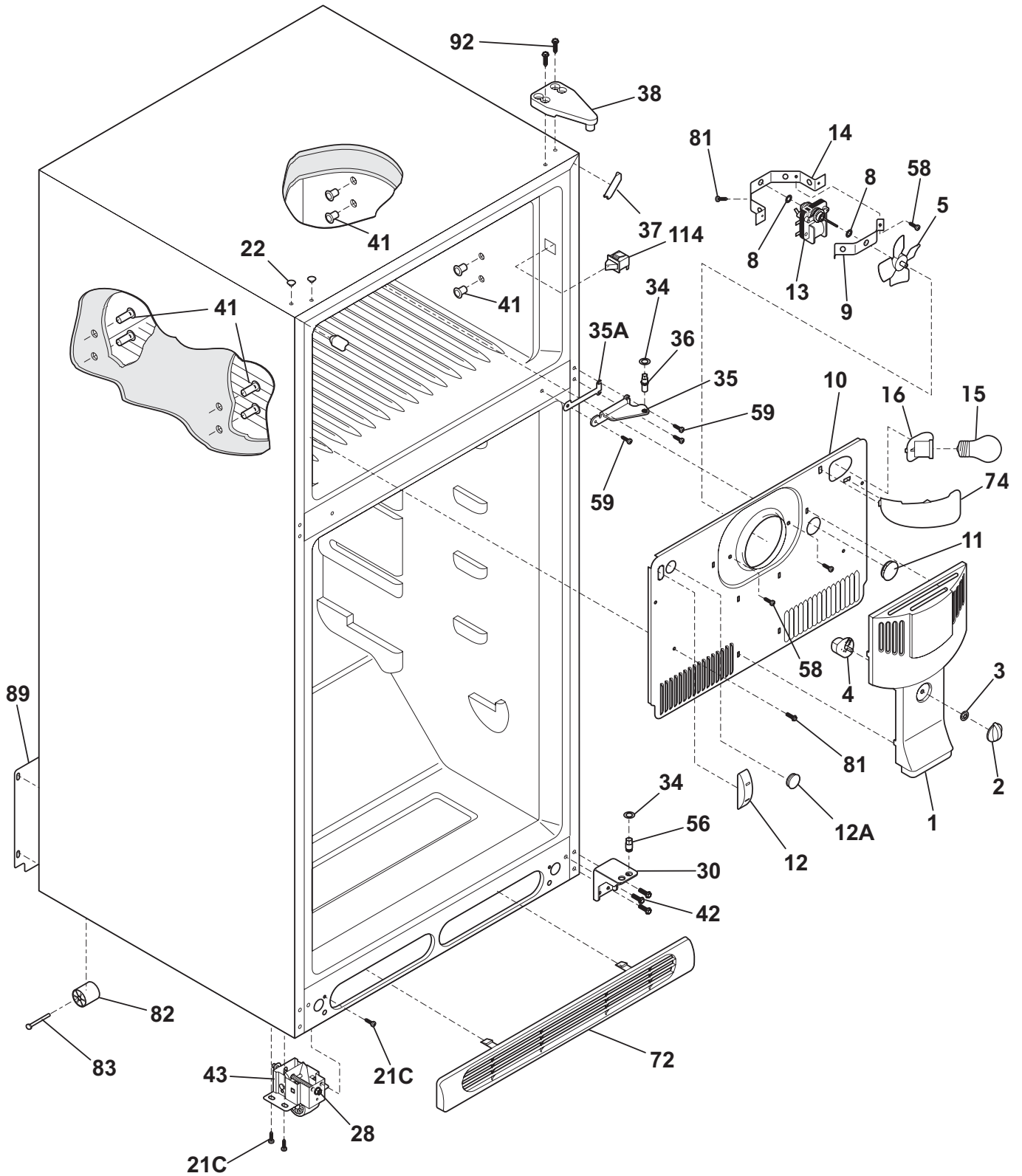
POS. NO	PART NO.		DESCRIPTION
1 #	240514611	A B - D -	Gasket, seal, black, frzr door, magnetic
1 #	240514607	- - C - E	Gasket, seal, white, frzr door, magnetic
2 #	240514612	A B - D -	Gasket, seal, black, refr door, magnetic
2 #	240514608	- - C - E	Gasket, seal, white, refr door, magnetic
7	240337703	A B C D E	Door-dairy, w/o graphics, clear
10	240381303	A - - - -	Plug-button, black, hinge brg hole
10	240381302	- - C - -	Plug-button, bisque, hinge brg hole, (2)
10	240381301	- - - - E	Plug-button, white, hinge brg hole, (2)
11	240450312	A - - - -	Door, frzr, black
11	240450365	- B - - -	Door, frzr, stainless steel, LH
11	240450306	- - C - -	Door, frzr, bisque
11	240450366	- - - D -	Door, frzr, stainless steel
11	240450302	- - - - E	Door, frzr, white
12	240449703	A B - D -	Nameplate, black
12	240449702	- - C - -	Nameplate, bisque
12	240449701	- - - - E	Nameplate, white
13	240312405	A B - D -	Door Stop, black, refr
13	240312407	- - C - -	Door Stop, bisque, ref
13	240312403	- - - - E	Door Stop, white, ref
13A	240312406	A B - D -	Door Stop, black, frzr
13A	240312408	- - C - -	Door Stop, bisque, frzr
13A	240312404	- - - - E	Door Stop, white, frzr
14	240494003	A - - - -	Plug-button, black
14	240494002	- - C - -	Plug-button, bisque
14	240494001	- - - - E	Plug-button, white
14B	240383603	A B - D -	Plug-button, black, door handle
14B	240383602	- - C - -	Plug-button, bisque, door handle
14B	240383601	- - - - E	Plug-button, white, door handle
15	240450412	A - - - -	Door, refr, black
15	240450479	- B - - -	Door, refr, stainless steel, LH
15	240450406	- - C - -	Door-refr, refr, bisque, complete assy
15	240450478	- - - D -	Door, refr, stainless steel, RH
15	240450402	- - - - E	Door, refr, white
18	240339203	A B - D -	Handle-door, black, refr-LH/frzr-RH
18	240339204	- - C - -	Handle-door, bisque, refr-LH/frzr-RH
18	240339201	- - - - E	Handle-door, white, refr-LH/frzr-RH
18A	240339208	A B - D -	Handle-door, black, refr-RH/frzr-LH
18A	240339209	- - C - -	Handle-door, bisque, refr-RH/frzr-LH
18A	240339206	- - - - E	Handle-door, white, refr-RH/frzr-LH
21	240383401	A B C D E	Screw, truss hd quad, #10-16 x .500
21C	218252200	A B C D E	Screw, #8 truss hd, 10-32CA x 0.500
22	240527102	A B - D -	Bearing-hinge, black
22	240527101	- - C - E	Bearing-hinge, natural color
48	240338101	A B C D E	Bin-door, pseudo, bottom
48A	240337901	A B C D E	Bin-door, refr
48B	240338001	A B C D E	Bin-door, pseudo, gallon, refr
49	240495804	A B C D E	Bin-door, pseudo, frzr
*	218490901	- B - D -	Cleaner, stainless steel

CABINET

Model Index: A GLRT13TE (GLRT13TEB3)
 B GLRT13TE (GLRT13TEK5)
 C GLRT13TE (GLRT13TEQ3)
 D GLRT13TE (GLRT13TES5)
 E GLRT13TE (GLRT13TEW3)

POS. NO	PART NO.	A	B	C	D	E	DESCRIPTION
1	240355402	A	B	C	D	E	Cover-fan
2	240367001	A	B	C	D	E	Knob-damper control
3	5303212803	A	B	C	D	E	Nut
4	241523701	A	B	C	D	E	Damper-fan cover
5 #	5308000010	A	B	C	D	E	Fan Blade, red, evaporator fan
8	5300157666	A	B	C	D	E	Bushing-motor mtg, (2)
9	5303292396	A	B	C	D	E	Bracket-motor mtg, front
10	240313609	A	B	C	D	E	Cover-evap coil, w/light
10*	240568606	A	B	C	D	E	Seal-coil cover
10*#	241537701	A	B	C	D	E	Wiring Harness, freezer section, with light
11	5303208309	A	B	C	D	E	Plug-hole, factory test
12	241557601	A	B	C	D	E	Plug-ice maker harness, rectangular
12A	240374401	A	B	C	D	E	Plug-wtr inlet tube, round, 1"
12A*	241586701	A	B	C	D	E	Plug-foam-wtr-inlet, round
13 #	240369702	A	B	C	D	E	Motor-evap fan
13*	218931001	A	B	C	D	E	Clamp-motor wiring, nylon, w/adhesive tape
14	5303292397	A	B	C	D	E	Bracket-motor mtg, rear
14*	240433201	A	B	C	D	E	Screw, hex washer head, 8-18 x 0.375
15	215812200	A	B	C	D	E	Light Bulb/Lamp, 25W
16 #	241513901	A	B	C	D	E	Socket-light
21C	218252200	A	B	C	D	E	Screw, #8 truss hd, 10-32CA x 0.500
22	215774918	A	B	-	D	-	Plug-button, black, upr hinge holes
22	215774919	-	-	C	-	-	Plug-button, bisque, upr hinge holes
22	215774901	-	-	-	-	E	Plug-button, white, upr hinge holes
28	240335501	A	B	C	D	E	Bolt-roller adj, hex washer head, 1/4-20 x 4.020, (2), special
30	240314003	A	B	-	D	-	Bracket-lower hinge, black
30	240314001	-	-	C	-	E	Bracket-lower hinge, zinc
34	240311303	A	B	C	D	E	Washer, hinge, nylon, (2)
35	240313803	A	B	-	D	-	Bracket-ctr hinge, black
35	240313801	-	-	C	-	E	Bracket-ctr hinge, zinc
35A	240336802	A	B	C	D	E	Spacer-hinge, center
36	240516401	A	B	C	D	E	Pin-center hinge
37	240337603	A	B	-	D	-	Trim-cabinet corner, black, (2)
37	240337604	-	-	C	-	-	Trim-cabinet corner, bisque, (2)
37	240337601	-	-	-	-	E	Trim-cabinet corner, white, (2)
38	241622603	A	B	-	D	-	Hinge-up-plastic-blk, plastic, black
38	241622604	-	-	C	-	-	Hinge-up-plastic-bis, plastic, bisque
38	241622601	-	-	-	-	E	Hinge-up-plastic-wht, plastic, white
41	5308009759	A	B	C	D	E	Grommet, shelf mtg, 1.25", LH, (4)
42	240578901	A	B	C	D	E	Screw-hinge mtg, hex head, 1/4-20 x 5/8
43	240335003	A	B	C	D	E	Roller Assy, adjustable, front, (2)
56	240516501	A	B	C	D	E	Pin-lower hinge
58	5303001343	A	B	C	D	E	Screw, hex washer head, 8-15A x 0.500
59	240442703	A	B	-	D	-	Screw-#10-32 X 3/4, black
59	240442701	-	-	C	-	E	Screw-#10-32 X 3/4, zinc
72	240368207	A	B	-	D	-	Grille/Kickplate, black

CABINET



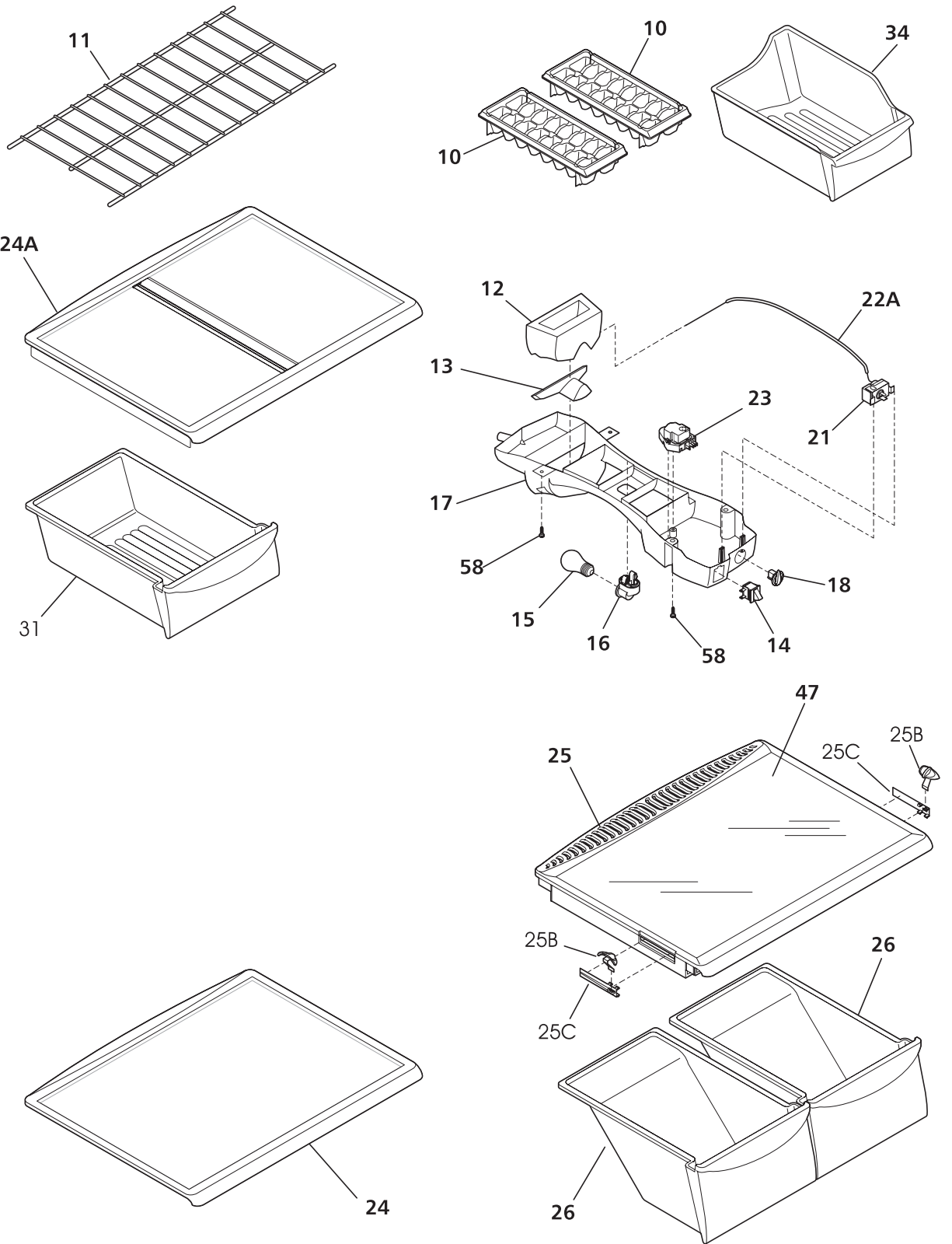
N05BAAABA2

CABINET

Model Index: A GLRT13TE (GLRT13TEB3)
 B GLRT13TE (GLRT13TEK5)
 C GLRT13TE (GLRT13TEQ3)
 D GLRT13TE (GLRT13TES5)
 E GLRT13TE (GLRT13TEW3)

POS. NO	PART NO.		DESCRIPTION
72	240368206	- - C - -	Grille/Kickplate, bisque
72	240368205	- - - - E	Grille/Kickplate, white
74	240354301	A B C D E	Shield-light, frzr
81	5308016566	A B C D E	Screw, hex washer head, 8-15A x 0.625, low profile
82	5304418225	A B C D E	Roller, compressor base, rear, (2)
83	5303316859	A B C D E	Rivet, flat head, 1/4 OD x 1-3/4, roller pin
89	241574607	A B C D E	Cover-access, w/label
89*	241500301	A B C D E	Screw, hex washer head, 8-18AB x 0.500
92	216850900	A B C D E	Screw, hex washer hd, 1/4 x 7/8, hinge mtg
114	240505801	A B C D E	Switch, light/lamp
*	240479601	A B C D E	Plug, button, cab liner holes, (2)
*	5303305345	A B - D -	Paint, touch-up, black
*	5304414035	- - C - -	Paint, touch-up, bisque
*	5303305324	- - - - E	Paint, touch-up, white

SHELVES



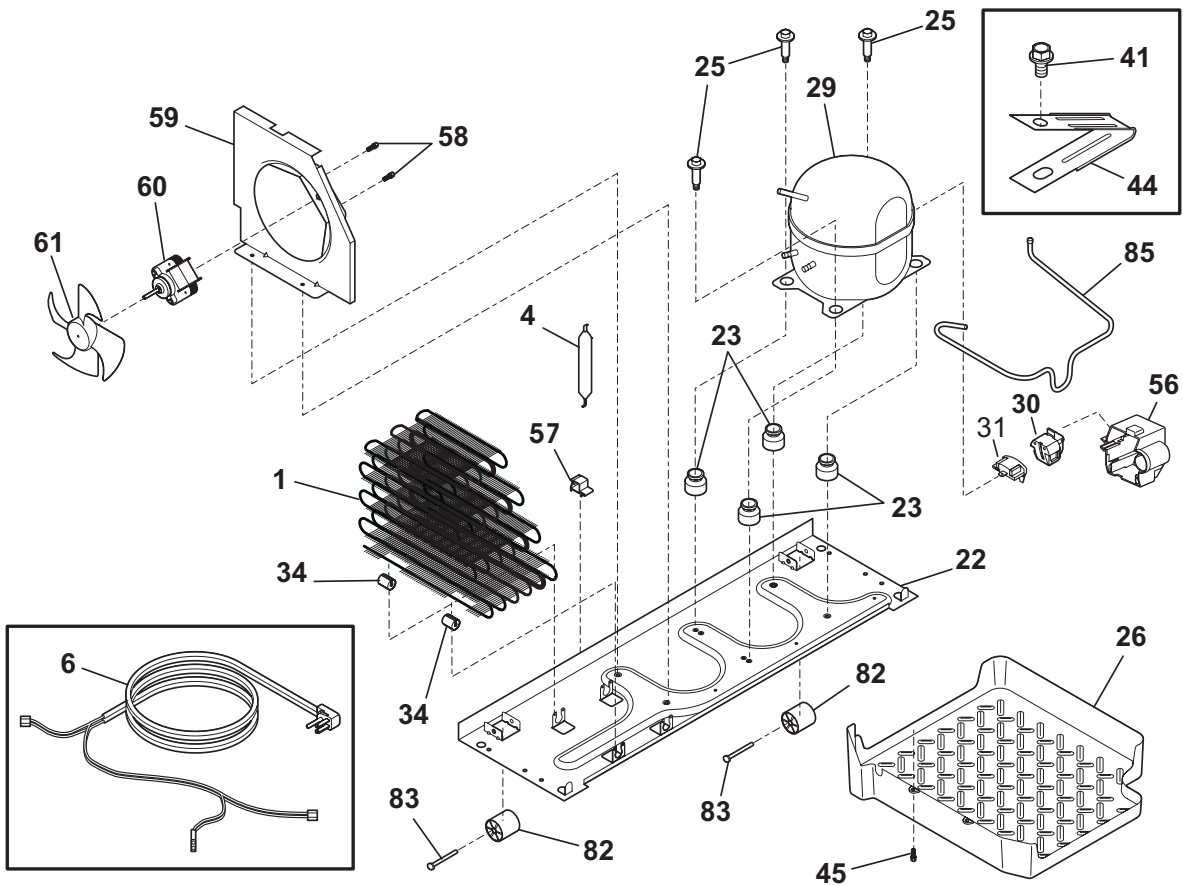
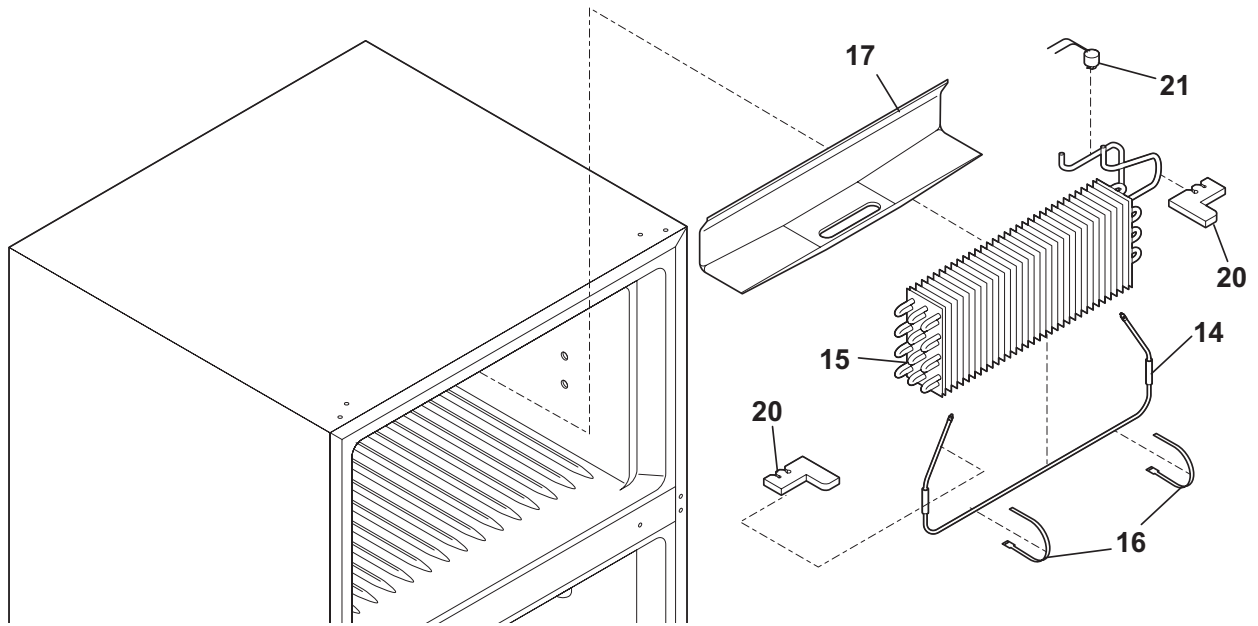
N05SABAFI1C

SHELVES

Model Index: A GLRT13TE (GLRT13TEB3)
 B GLRT13TE (GLRT13TEK5)
 C GLRT13TE (GLRT13TEQ3)
 D GLRT13TE (GLRT13TES5)
 E GLRT13TE (GLRT13TEW3)

POS. NO	PART NO.	A	B	C	D	E	DESCRIPTION
10	215667501						Tray, ice cube, plastic
11	240358006						Shelf, freezer, full-width, wire
12	240545901						Diffuser-air, top
13	240362601						Diffuser, air, bottom
14 #	241554901						Switch-light/lamp
15	240436702						Light Bulb/Lamp, A-15, clear, 40 W, 120 V, miniature
16	241559801						Socket-light
17	240368101						Control Box
17*#	240388701						Wiring Harness, control box
18	240360801						Knob, temp control
21 #	5304421256						Control, temperature
22A	5303916855						Tube, sensor sleeve, plastic, clear
23 #	215846606						Timer, defrost, 60 Hz, 0.25 W, 120 V, 10 hour/30 min
23*	5303001259						Screw-timer mtg, pan hd, 6-20 x 0.438, (2)
24	240358921						Shelf-"Spill-Safe", sliding
24A	240358922						Shelf-"Spill-Safe", sliding, w/pan hanger
25	240364718						Cover-crisper pan
25B	240361201						Control-humidity
25C	240361301						Damper, humidity cont.
26	240343803						Pan, crisper, (2)
31	240530803						Pan-meat, w/o graphics, clear
34	240385201						Container, ice bin
47	240443301						Panel, pan cover, glass
58	5308016566						Screw, hex washer head, 8-15A x 0.625, low profile

SYSTEM



N05CABBAB12

SYSTEM

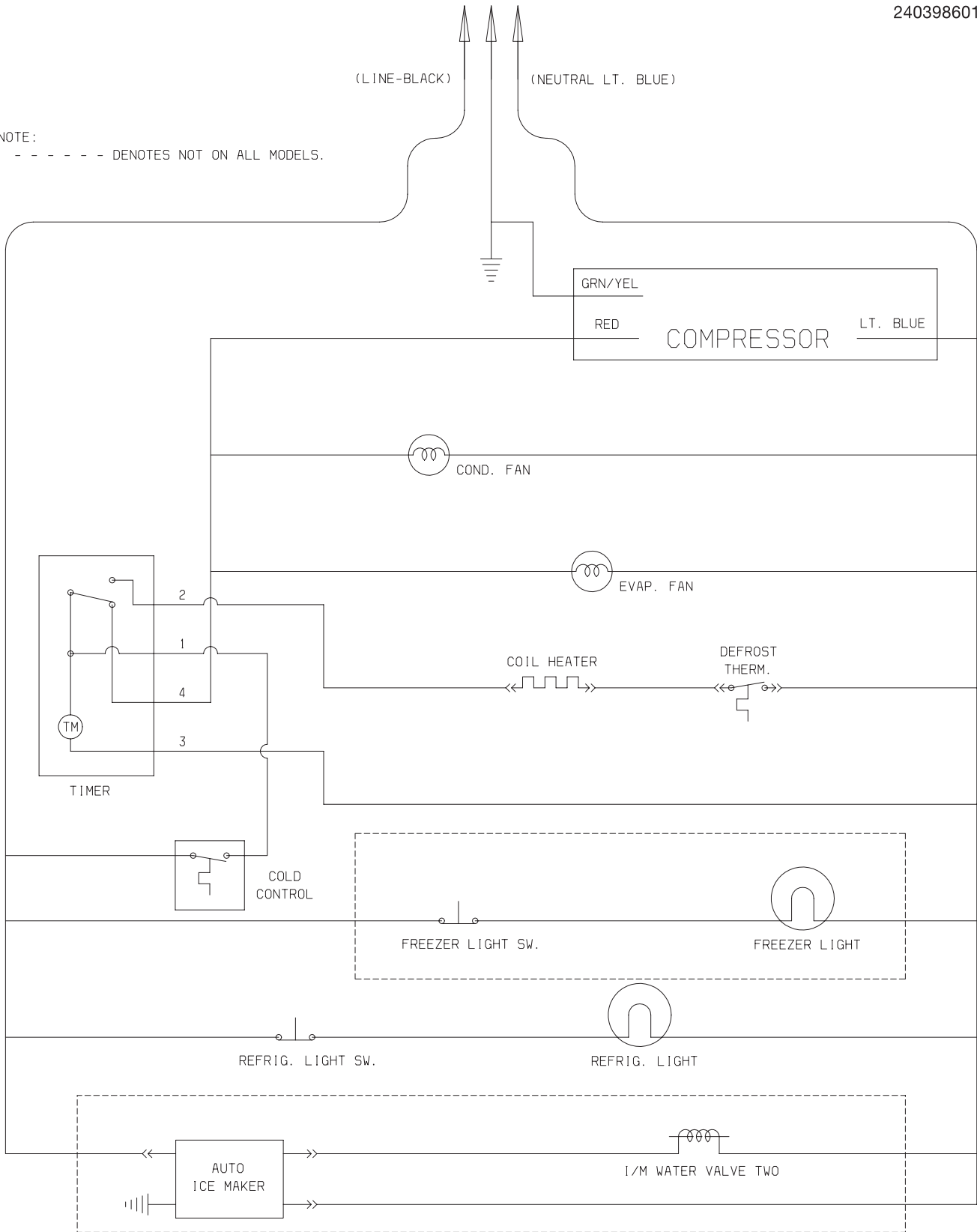
Model Index: A GLRT13TE (GLRT13TEB3)
 B GLRT13TE (GLRT13TEK5)
 C GLRT13TE (GLRT13TEQ3)
 D GLRT13TE (GLRT13TES5)
 E GLRT13TE (GLRT13TEW3)

POS. NO	PART NO.	A	B	C	D	E	DESCRIPTION
1 #	240444401	A	B	C	D	E	Condenser, dynamic
4 #	218944001	A	B	C	D	E	Drier-filter, R134a System
6	240581701	A	B	C	D	E	Harness-wiring, machine compt
6* #	240388701	A	B	C	D	E	Wiring Harness, control box
6* #	240581801	A	B	C	D	E	Harness-wiring, compressor
6* #	241537701	A	B	C	D	E	Wiring Harness, freezer section, with light
14 #	240356217	A	B	C	D	E	Heater-defrost
15 #	5303918274	A	B	C	D	E	Evaporator Kit
16	5308000110	A	B	C	D	E	Strap-evap/heater, aluminum, (2)
17	241551801	A	B	C	D	E	Trough-drain
20	241551902	A	B	C	D	E	Insulation Block
21 #	5303918202	A	B	C	D	E	Thermostat-defrost, kit
22	241602001	A	B	C	D	E	Base-compressor
22*	218252200	A	B	C	D	E	Screw, #8 truss hd, 10-32CA x 0.500
23	218513300	A	B	C	D	E	Grommet-compr mtg, (4)
25	240491501	A	B	C	D	E	Screw-compressor mtg, 1/4-28 x 1.16, shoulder, typ CF
26	241637401	A	B	C	D	E	Pan-defrost
29 #	5303918297	A	B	C	D	E	Compressor, w/electricals
30 #	5304433579	A	B	C	D	E	Relay
31 #	5304433578	A	B	C	D	E	Overload Protector
34	240405201	A	B	C	D	E	Grommet, rubber, black, cond tube/wire
41	240555001	A	B	C	D	E	Screw-#8-32 X 3/8
44	215174700	A	B	C	D	E	Clamp-service cord, strain relief, galv steel
45	5308016566	A	B	C	D	E	Screw, hex washer head, 8-15A x 0.625, low profile
56	240582001	A	B	C	D	E	Cover-terminal
57	240542601	A	B	C	D	E	Clip-wiring harness
58	218897002	A	B	C	D	E	Screw, hex washer head, 8-32 x 0.375
59	5304430246	A	B	C	D	E	Bracket-cond motor assy
59*	240346701	A	B	C	D	E	Tape-foam seal, shroud
59*	240359401	A	B	C	D	E	Screw-fan shroud, (2)
60 #	240525402	A	B	C	D	E	Motor, condensor fan
61 #	240524101	A	B	C	D	E	Fan Blade, galv steel, condenser fan
82	5304418225	A	B	C	D	E	Roller, compressor base, rear, (2)
83	5303316859	A	B	C	D	E	Rivet, flat head, 1/4 OD x 1-3/4, roller pin
85	240493101	A	B	C	D	E	Tube-connector, suction
*	5303918210	A	B	C	D	E	Heat Exchanger Kit, suction line
* #	5304421289	A	B	C	D	E	Hot Tube Repair Kit, service

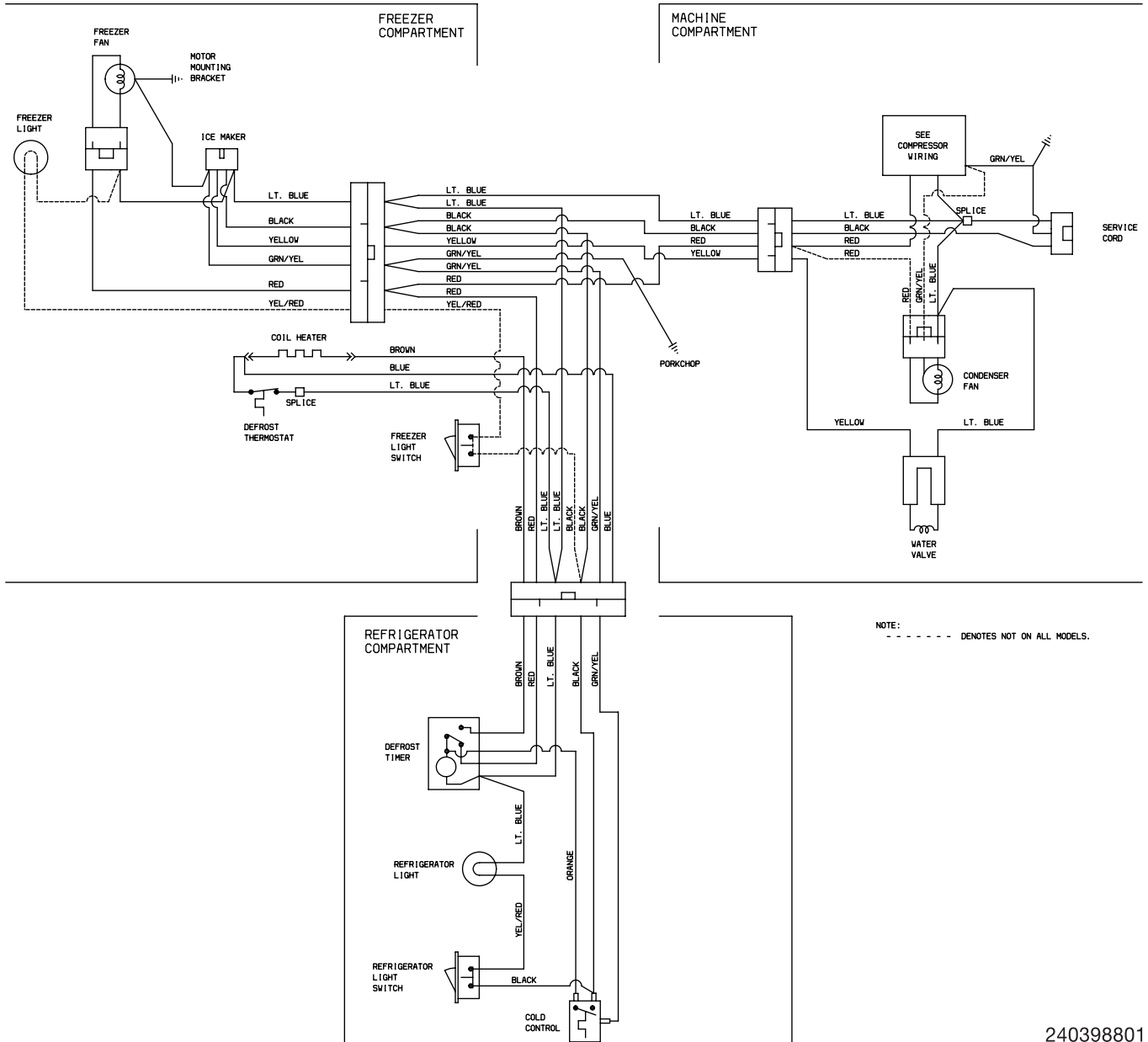
WIRING SCHEMATIC

240398601

NOTE:
- - - - - DENOTES NOT ON ALL MODELS.



WIRING DIAGRAM



240398801