

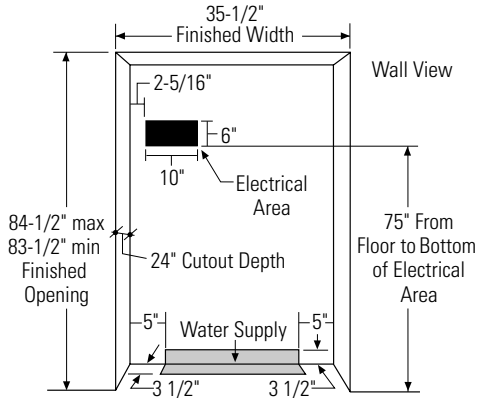


Monogram®

ZICS360NR – GE Monogram 36" Built-In Bottom Freezer Refrigerator with Automatic Icemaker

The Installation Space

The finished cutout width must be 35-1/2".



The cutout depth must be 24"

The refrigerator will project forward, slightly beyond adjacent cabinetry, depending on your installation.

The cutout depth beneath a soffit

When installed beneath a soffit, the soffit cannot exceed the 24" installation depth shown. The top case trim overlaps the bottom of the soffit.

Electrical

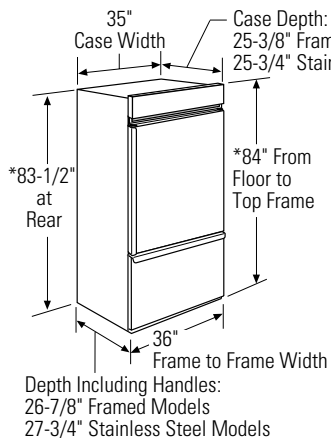
A 115V, 60Hz., 15 or 20 amp power supply is required. An individual properly grounded branch circuit or circuit breaker is recommended. Install a properly grounded 3-prong electrical receptacle recessed into the back wall. Electrical must be located on rear wall as shown.

Note: GFI (ground fault interrupter) is not recommended.

Water Line

All models are equipped with an automatic icemaker. The water line can enter the opening through the floor or back wall. Route GE SmartConnect™ Kit or 1/4" O.D. copper tubing between the cold water line and the water connection location at the front of the refrigerator. The installation of an easily accessible shut-off valve in the water line is required.

Product Dimensions



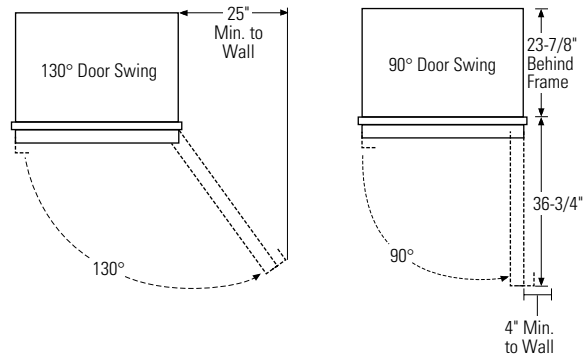
*Shipping Height. The refrigerator can be adjusted to fit into a cutout that is 83-1/2" min. to 84-1/2" max. height. The top case trim at the front is 1/2" higher and will overlap upper cabinetry or soffit. Use leveling legs and wheels for a maximum 1" height adjustment.

Specification Created 6/04

110102

Door Swing Clearances

The installation must allow for clearances to adjacent walls or cabinets. These refrigerators are equipped with a 2-position door stop. The factory-set 130° door swing can be adjusted to 90° if clearance to adjacent cabinets or walls is restricted.



Allow 25" minimum clearances for a full 130° door swing. Allow 15" for pan removal.

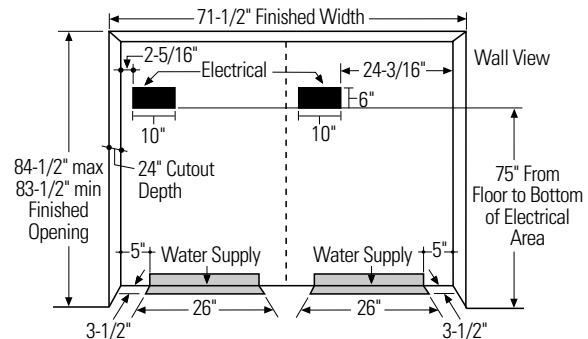
- 4" minimum clearance is required when the door swing is adjusted to 90°. If the 90° door stop position is used, pan access is maintained, but pan removal is restricted.
- See door swing illustrations to determine interaction with adjacent cabinets or countertops.

ZUG2, ZUGSS2 Unified Grille Panel Kit

- If you are installing two refrigerators side by side, the installation space must be 71-1/2" wide.

Note: Additional cutout width may be required when side panels are used. Add side panel thickness to the finished cutout to calculate rough-in width.

- The water and electrical locations for each product must be located as shown.
- A separate 115V, 60Hz., 15 or 20 amp power supply is recommended for each product.

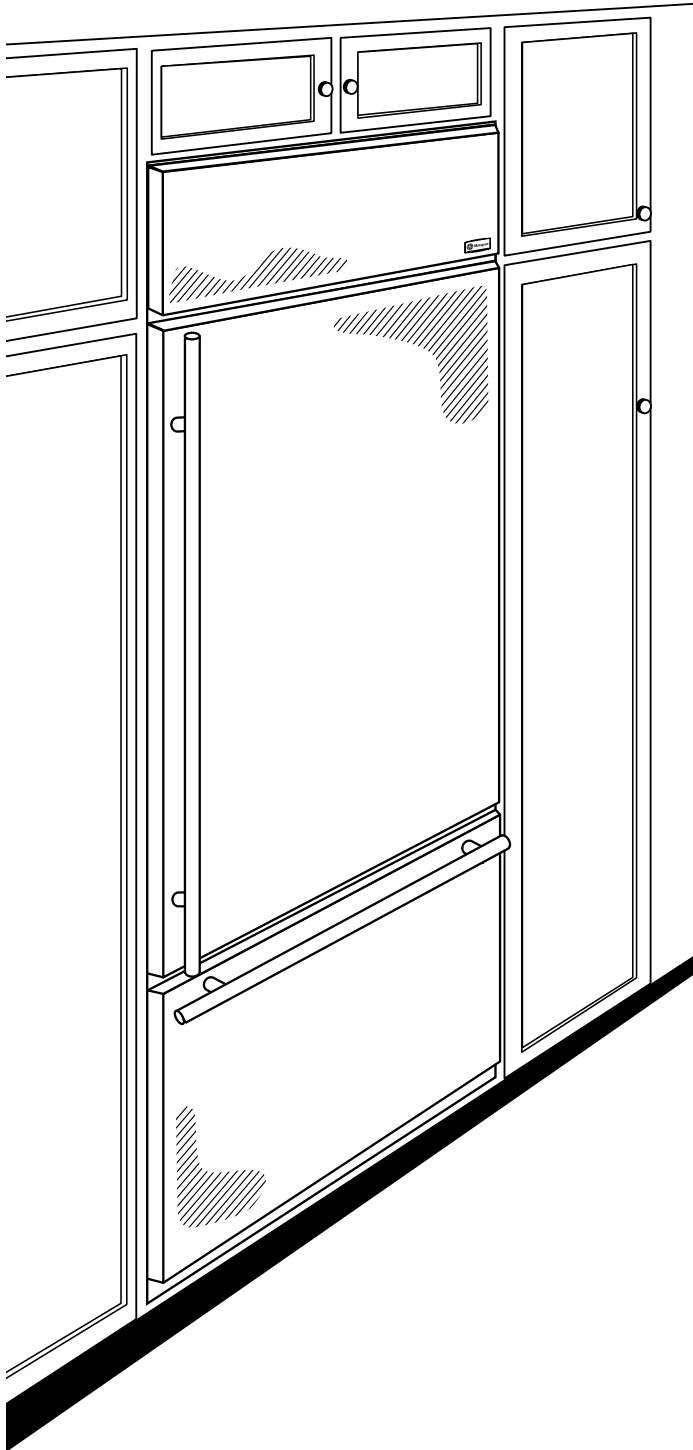


For answers to your Monogram®, GE Profile™ or GE appliance questions, visit our website at GEAppliances.com or call GE Answer Center® service, 800.626.2000.



Monogram.

ZICS360NR – GE Monogram 36" Built-In Bottom Freezer Refrigerator with Automatic Icemaker



Features and Benefits

- 20.6 Cu. Ft. Capacity
- Upfront electronic controls with digital readout
- Multi-shelf air management tower
- 2 Sealed, adjustable humidity vegetable/fruit pans with easy access lids and full extension slides
- 2 Sealed deli pans with full extension slides
- Adjustable spillproof glass cabinet shelves
- Slide-out freezer compartment with full extension slides
- Model ZICS360NRRH – Right-handed door swing
- Model ZICS360NRLH – Left-handed door swing