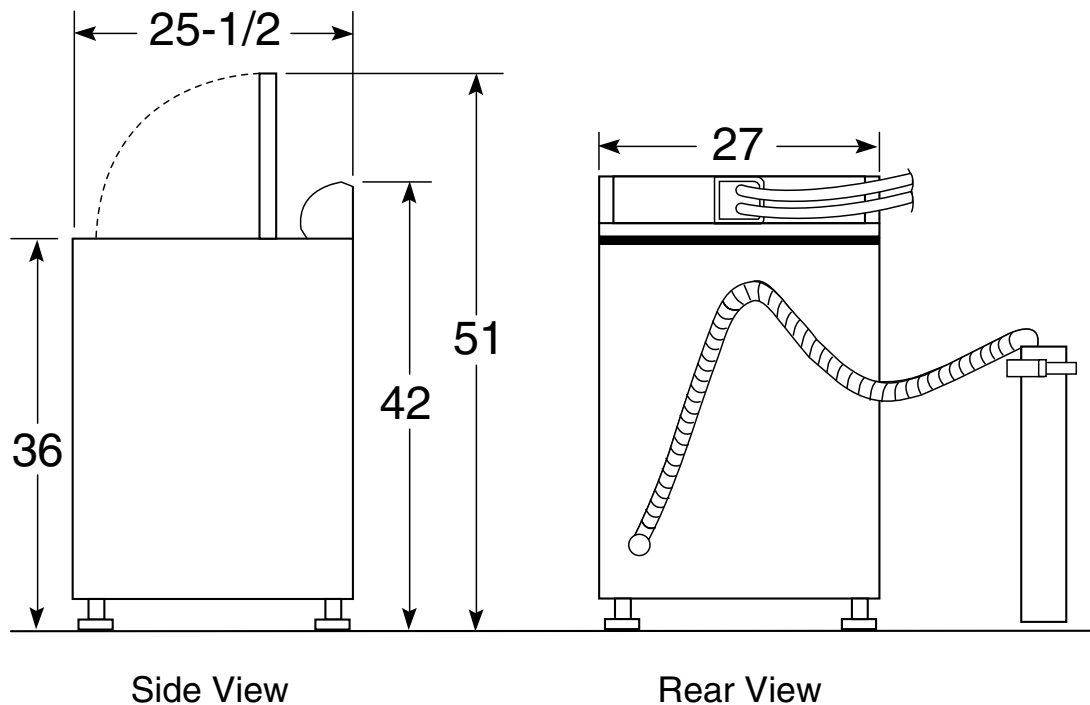




GE Appliances

WJRR4170ECC/WW – GE® 3.5 Cu. Ft. Capacity King-size Washer with Stainless Steel Basket

Dimensions (in inches)



Circuit Requirements:

An individual, properly-grounded branch circuit, with a three-prong grounding-type receptacle, protected by a 15 or 20 amp circuit breaker or a time-delay fuse, is required.

Electrical Rating:

115V, 60Hz, 10A

Washer Note:

Washer wall outlet must be located within 36" of service cord entry. Wall outlet must not be located behind dryer.

Installation Information:

For complete information, see installation instructions packed with your washer.

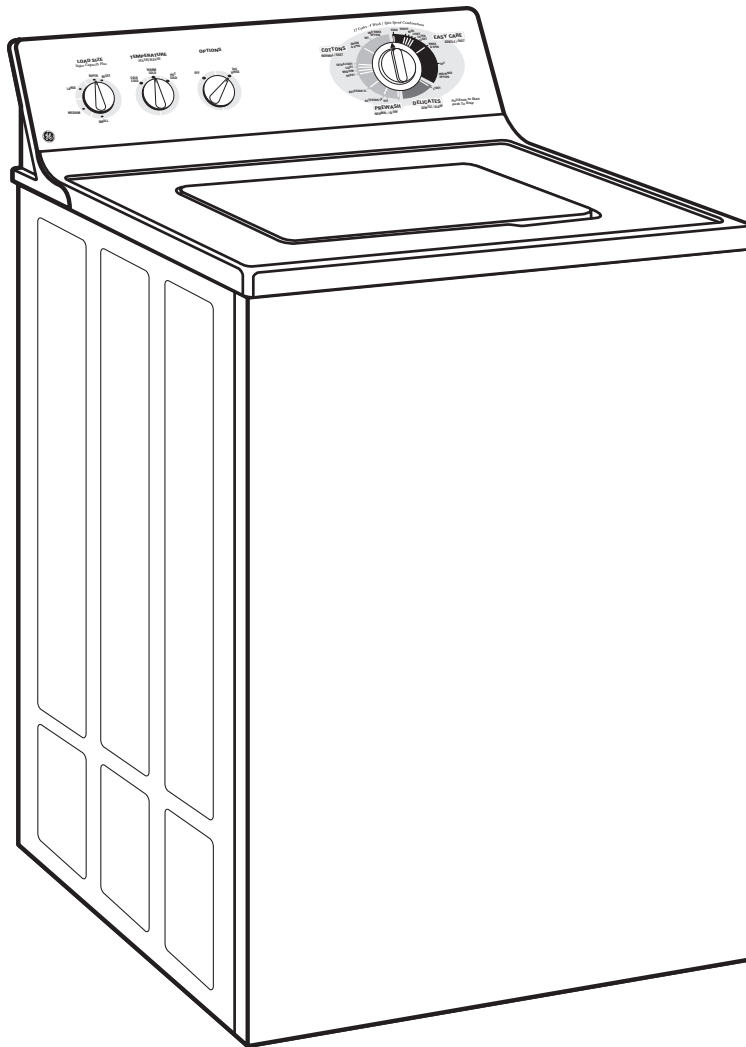


Listed by
Underwriters
Laboratories



GE Appliances

WJRR4170ECC/WW – GE® 3.5 Cu. Ft. Capacity King-size Washer with Stainless Steel Basket



Features and Benefits

- Rotary electromechanical controls – Allow fast, easy cycle selection
- Four wash/spin speed combinations – Speeds are matched to fabric type for better clothes care
- 17 wash cycles – A cycle for every laundry load and need
- Bleach and fabric softener dispensers – Solutions are automatically mixed with wash water for bright, soft-to-the-touch results
- Four Water Levels – Offer water and energy savings
- Auto Soak – Soaks dirty clothes for 15 or 30 minutes before the wash cycle, so there's no need for an extra cycle
- Auto 2nd Rinse – Helps to protect delicate fabrics and sensitive skin
- Spin Only Option – “Spin-dries” wet clothes like beach towels and swimsuits
- Model WJRR4170EWW – White on white
- Model WJRR4170ECC – Bisque on bisque

Specification Created 1/04

360166