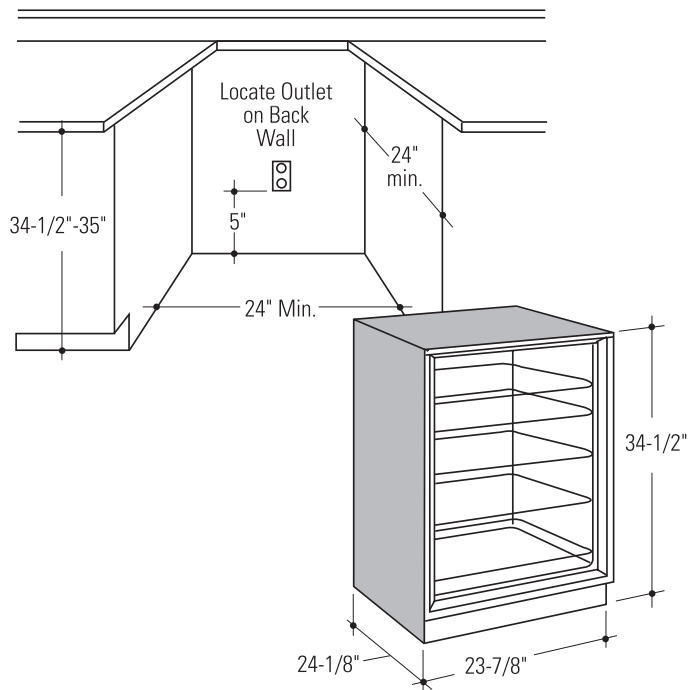




Monogram™

ZDB24AWW - GE Monogram Beverage Center with Adjustable Temperature Control

Dimensions and Specifications (in inches)



Dimensions:

H 34-1/2"

W 23-7/8"

D 24-1/8" (excluding handle)

26-1/8" (including handle)

Cutout Dimensions:

H 34-1/2" - 35" (876 - 889 mm)

W 24" min. (610 mm)

D 24" min. (610 mm)

For answers to your Monogram®,
GE Profile Performance Series™,
GE Profile™ or GE appliance questions, call
GE Answer Center® service, 800.626.2000.



Listed by
Underwriters
Laboratories



Monogram™

ZDB24AWW - GE Monogram Beverage Center with Adjustable Temperature Control



Features and Benefits

- *Total Capacity - 133 Beverage Cans, 14 Wine Bottles*
- *3 Full-Width Wire Slide Out Racks*
- *2 Full-Width Glass Slide Out Shelves*
- *Adjustable Temperature Control*
- *Interior Light with Automatic or Manual Setting*
- *See-Thru Glass Door with Stainless Trim*
- *Tubular Stainless Steel Handle*
- *Built-In or Free-Standing Installation Options*
- *Reversible Door Swing*
- *Model ZDB24AWW - White Case*
- *Model ZDB24ABB - Black Case*