

GE Monogram®

Installation

Instructions

Beverage Center

Model

ZDB24 WW

ZDB24 BB

Wine Chiller

Model

ZDW24 WW

ZDW24 BB

Important Information

Beverage Center & Wine Chiller

Before you begin—Read these instructions completely and carefully.

IMPORTANT: Save these instructions for local inspector's use.

IMPORTANT: OBSERVE ALL GOVERNING CODES AND ORDINANCES.

NOTE TO INSTALLER: Be sure to leave these instructions with the Consumer.

NOTE TO CONSUMER: Keep these instructions with your Owner's Manual for future reference.

⚠ WARNING This appliance must be properly grounded. See "Electrical Supply", page 4.

⚠ ATTENTION Cet appareil doit être correctement mis à la terre.
Consulter « Alimentation électrique », page 4.

If you received a damaged beverage center or wine chiller, you should contact your dealer.

Proper installation is the responsibility of the installer. Product failure due to improper installation is not covered under the GE Appliance Warranty. See the Owner's Manual for warranty information.

**For Monogram local service in your area,
1-800-444-1845.**

**For Monogram service in Canada
1-888-880-3030.**

**For Monogram Parts and Accessories, call
1-800-626-2002.**

⚠ WARNING

- Use this appliance only for its intended purpose.
- Immediately repair or replace electric service cords that have become frayed or damaged.
- Unplug the beverage center or wine chiller before cleaning or making repairs.
- Repairs should be made by a qualified service technician.

⚠ ATTENTION

- Il ne faut utiliser cet appareil que pour l'usage pour lequel il a été construit.
- Il faut réparer ou remplacer immédiatement tout cordon d'alimentation électrique effiloché ou endommagé.
- Débrancher le bar ou le réfrigérateur à vin avant le nettoyage ou toute intervention.
- Les réparations doivent être faites par un technicien qualifié.

Contents

Design Information	
Models Available	3
Dimensions and Clearances	3
Installation Preparation	
Grounding the Beverage Center or Wine Chiller	4
Reverse Door Swing	5
Installation	
Step 1: Remove the Packaging	6
Step 2: Install Handle	6
Step 3: Install Leveling Legs	7
Step 4: Slide the Unit into the Cutout	7
Template for nameplate location	8

Design Information

Beverage Center & Wine Chiller

Models Available

ZDB24 WW
White Beverage Center

ZDB24 BB
Black Beverage Center

ZDW24 WW
White Wine Chiller

ZDW24 BB
Black Wine Chiller

The Monogram beverage center or the wine chiller adds an eloquent statement of style, convenience and flexibility.

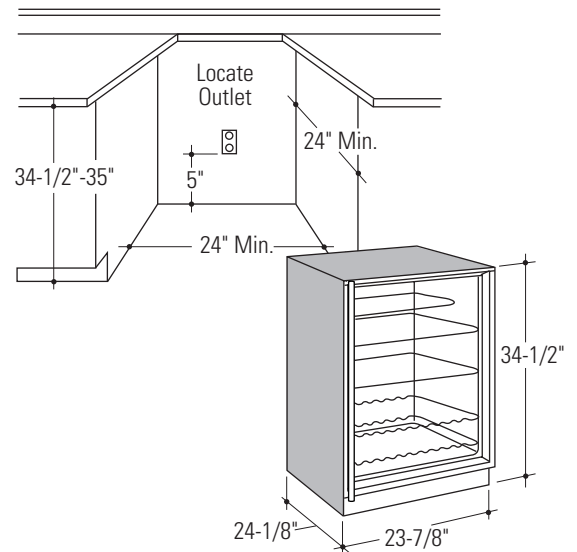
The Monogram beverage center and wine chiller can be used freestanding or as a built-in.

Dimensions & Clearances

Front ventilation allows the beverage center or wine chiller to be installed as a built-in and still operate efficiently.

The bottom front grille area must remain unobstructed for proper air circulation and operation.

Cutout dimensions shown allow for a full door swing and access to the pull-out racks.



Installation Options

Increase storage capacity by installing two Monogram beverage centers side by side or two Monogram wine chillers side by side. Or, install a Monogram beverage center next to a Monogram wine chiller for a complete refreshment center.

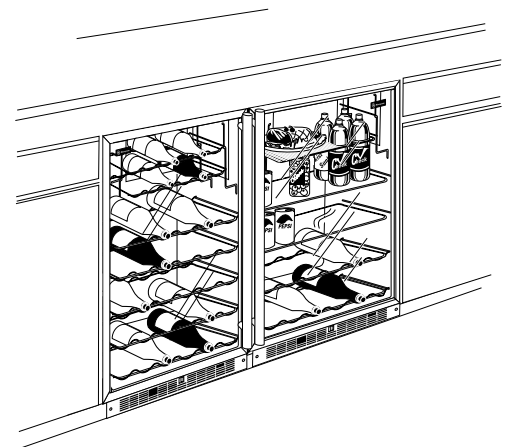
A side by side installation requires a 48" wide opening. No trim kits required.

- The glass door fronts should align evenly with adjacent cabinet door fronts.

Frameless Cabinets:

- If installing between frameless cabinets, a 1/2" wide filler strip or side panel may be required. The filler strip will act as a spacer between the door case and adjacent cabinet and will prevent interference with cabinet door swing. The width of the opening must include filler panels.

Provide two separate properly grounded electrical outlets for a side by side installation. Each electrical outlet should have a voltage rating that matches the rating plate.



Installation Preparation

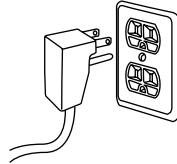
Beverage Center & Wine Chiller

Grounding the Beverage Center or Wine Chiller

IMPORTANT - (Please read carefully)

**FOR PERSONAL SAFETY, THIS APPLIANCE
MUST BE PROPERLY GROUNDED.**

The power cord of this appliance is equipped with a three-prong (grounding) plug which mates with a standard three-prong (grounding) wall receptacle to minimize the possibility of electric shock hazard from this appliance.



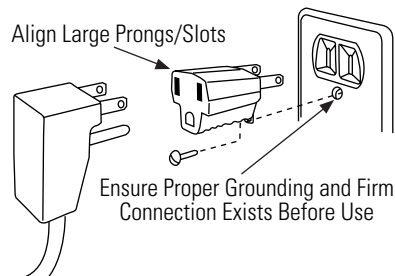
Have the wall outlet and circuit checked by a qualified electrician to make sure the outlet is properly grounded.

Where a standard 2-prong wall outlet is encountered, it is your personal responsibility and obligation to have it replaced with a properly grounded 3-prong wall outlet.

**DO NOT, UNDER ANY CIRCUMSTANCES,
CUT OR REMOVE THE THIRD (GROUND)
PRONG FROM THE POWER CORD.**

Use of Adapter plug

Because of potential hazards under certain conditions, we strongly recommend against use of an adapter plug. However, if you still elect to use an adapter, where local codes permit, a **TEMPORARY CONNECTION**, may be made to a properly grounded 2-prong wall outlet by use of a UL listed adapter available at most hardware stores.



The larger slot in the adapter must be aligned with the larger slot in the wall outlet to provide proper polarity in the connection of the power cord.

Use of an adapter plug will increase the cutout depth required.

CAUTION

Attaching the adapter ground terminal to a wall outlet cover screw does not ground the appliance unless the cover screw is metal, and not insulated, and the wall outlet is grounded through the house wiring. You should have the circuit checked by a qualified electrician to make sure the outlet is properly grounded.

When disconnecting the power cord from the adapter, always hold the adapter in place with one hand and pulling the power cord with the other hand. If this is not done, the adapter ground terminal is very likely to break with repeated use.

Should the adapter ground terminal break, **DO NOT USE** the appliance until a proper ground has again been established.

Use of Extension Cords

Because of potential safety hazards under certain conditions, we strongly recommend against the use of an extension cord. However, if you still elect to use an extension cord, it is absolutely necessary that it be a UL listed 3-wire grounding type appliance extension cord having a grounding type plug and outlet and that the electrical rating of the cord be 15 amperes (minimum) and 120 volts.

PRUDENCE

Brancher la borne de terre d'un adaptateur sur la vis du couvercle de la prise murale ne met pas l'appareil à la terre, sauf si la vis du couvercle est métallique, n'est pas isolée et si la prise murale est mise à la terre par l'intermédiaire des fils de la maison. Il faut faire vérifier le circuit par un électricien qualifié pour s'assurer que la prise est correctement mise à la terre.

Installation Preparation

Beverage Center & Wine Chiller

Reverse Door Swing

To remove the door:

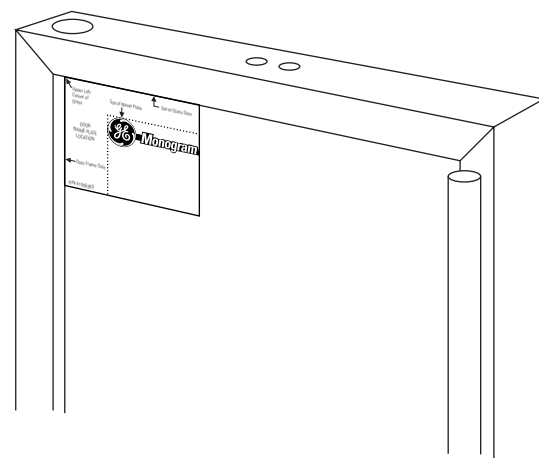
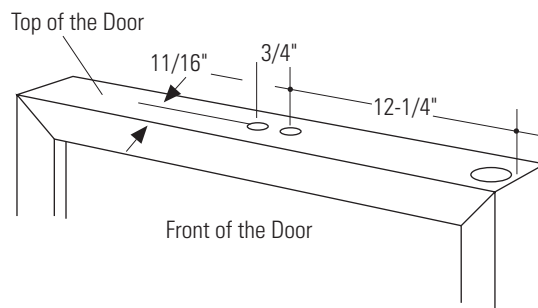
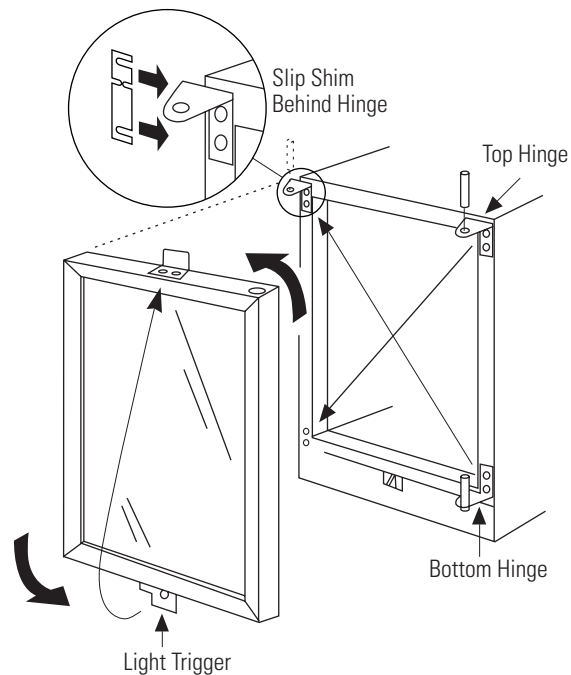
- Remove the top hinge pin using a 1/8" Allen wrench. Set aside.
- Lift the door off the bottom hinge.
- Remove the top hinge and set aside.
- Remove the bottom hinge, the plastic washer and the bottom hinge pin using a Phillips screwdriver.
- Install the Phillips hinge pin in the top hinge and re-install the top hinge on the bottom left side.
- Re-install the plastic washer over the hinge pin.
- Install the Allen wrench hinge pin in the bottom hinge and re-install the bottom hinge on the top left side.
- Insert the supplied plug buttons into the old hinge holes, top and bottom.

The light trigger on the bottom of the door must be removed and secured to the opposite end.

- Remove the light trigger by backing out 2 screws. Set the trigger and screws aside.
- Install screws from plastic bag packed with Owner's Manual into light trigger holes.
- Turn the door upside down.
- Measure and mark 12-1/4" and 13" from the right side (or 3/4" from the first location). Measure and mark 11/16" from the front side of the door. See illustration.
- Drill holes with 5/32" drill bit.
- Install the light trigger with original screws.
- Remove the top hinge pin using the 1/8" allen wrench.
- Place the door onto the bottom hinge, and install the top hinge pin with allen wrench.
- Open and close door to test door swing. If door drags and does not close evenly, loosen hinge screws and slip shims behind the hinge. Tighten screws and test again.

Position new nameplate:

- Remove the original nameplate, now located on the bottom of the door.
- Locate the template on the back of this instruction book.
- Hold or tape template behind glass door.
- Remove backing from Monogram nameplate.
- Place nameplate onto front side of door, matching illustration on template.



Installation

Beverage Center & Wine Chiller

Step 1 Remove the Packaging

Remove all packing material and tape.

Tools and materials required:

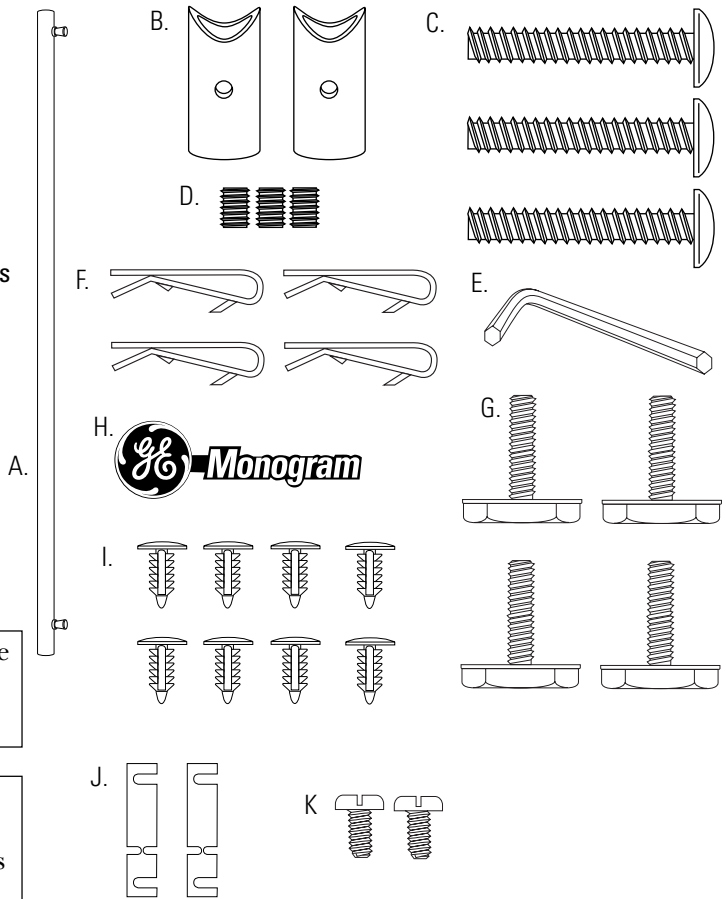
- #2 Phillips screwdriver

Parts List:

- A. Stainless tubular handle
- B. 2 Handle standoffs
- C. 3 Screws for mounting handle standoffs (2 required, 1 extra)
- D. 3 Set screws (2 required, 1 extra)
- E. 3/32" Allen wrench for set screws
- F. 4 U-Clips
- G. 4 Leveling legs
- H. GE Monogram nameplate
- I. 8 Plug buttons
- J. Hinge Shims
- K. 2 Screws for light trigger hole

CAUTION: Small objects are a choke hazard to children. Remove and discard any parts not used.

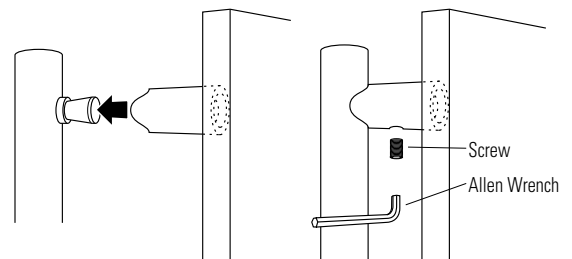
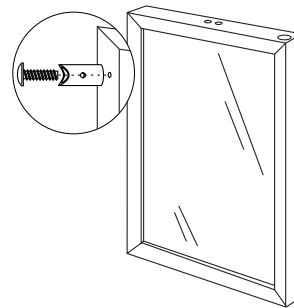
PRUDENCE – Les petits objets peuvent étrangler les enfants. Il faut jeter toutes les pièces qui ne sont pas utilisées.



Step 2 Install Handle

Note: Consider door swing direction. If you wish to change door swing, complete the instructions shown on page 5 before installing the handle.

- Place handle standoff against the top screw hole in the door. Position the standoff so that the small screw hole points toward the floor.
- Drive screw through the standoff and into the door. Do not tighten.
- Install bottom standoff. Do not tighten.
- Place handle to standoffs so that handle mounting posts are inserted into the standoffs. The handle should fit into the curved shape of the standoff. Again, the set screw hole should be pointing downwards.
- Remove the handle and tighten standoffs to door.
- Place handle to standoffs and install set screws through the bottom of standoffs using the allen wrench provided.
- The handle should be tight against the standoff.
- Save the allen wrench for future use.

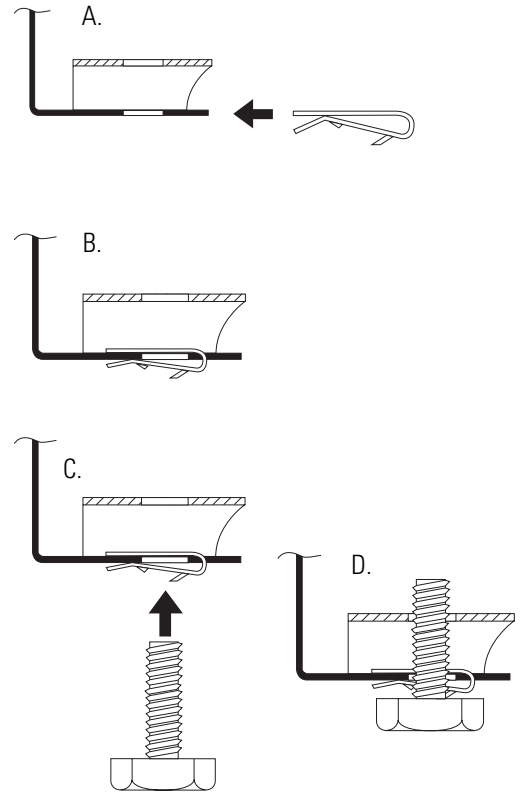


Installation

Beverage Center & Wine Chiller

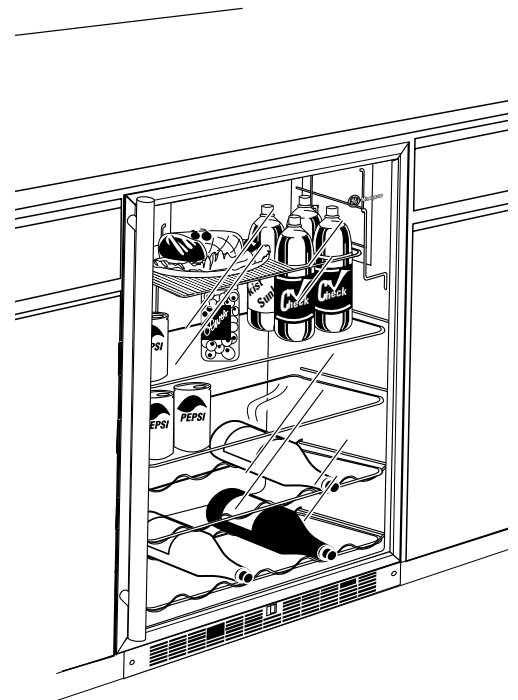
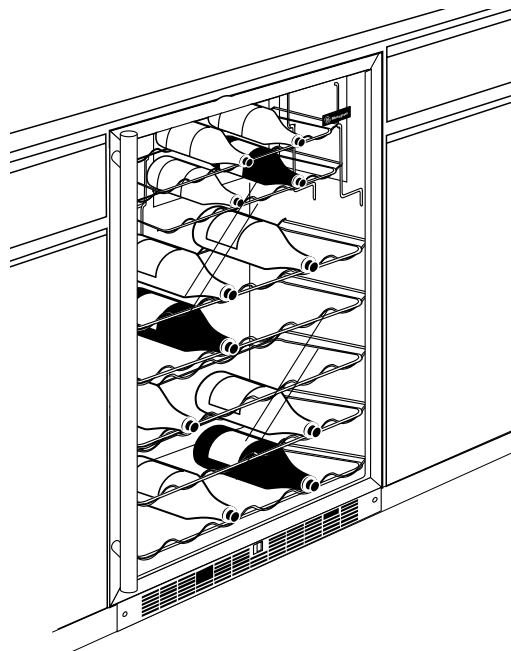
Step 3 Install Leveling Legs

- Tilt the unit slightly to one side to access the bottom corner holes.
 - Install a U-Clip into the front and rear holes on the bottom as shown.
- CAUTION: See illustration. Be sure the tangs on the clips are on the outside and the straight portion is inserted into the holes.
- Screw the leveling legs into the U-clips all the way until snug. Then, adjust the leveling legs to installation height.
 - Follow the same procedure for the opposite side.



Step 4 Slide the Unit into the Cutout

- Move the beverage center/wine chiller close to the opening.
- Connect the power cord plug to the properly grounded receptacle.
- Slide the unit into the opening.

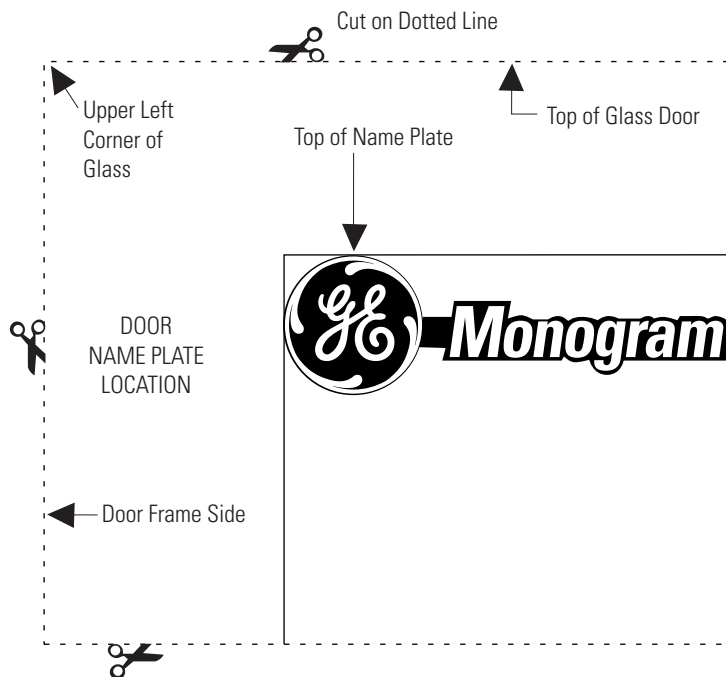
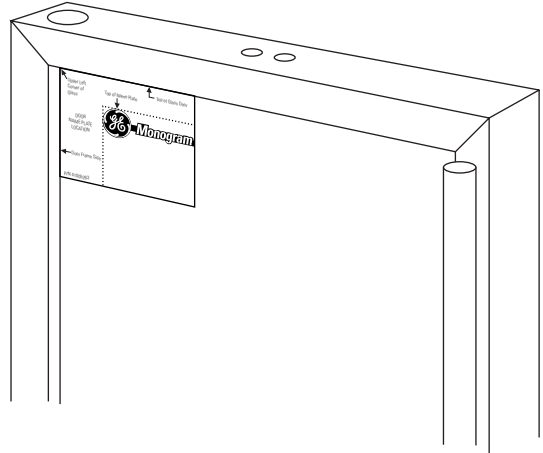


Template For Nameplate Location

To be used when door swing has been reversed,
with handle on right side, hinge on left side.

To position new nameplate:

- Remove the original nameplate, now located on the bottom of the door.
- Cut template along dotted line.
- Hold or tape template **behind** glass door in the upper left corner so that it is visible from the **front** side.
- Remove backing from Monogram nameplate.
- Place nameplate onto **front** side of door, matching illustration on template.



NOTE: While performing installations described in this book, safety glasses or goggles should be worn.

For Monogram local service in your area, call 1-800-444-1845.

NOTE: Product improvement is a continuing endeavor at General Electric. Therefore, materials, appearance and specifications are subject to change without notice.



General Electric Company
Louisville, KY 40225

Pub. No. 49-60148
Part No. 197D4432P001

(N.D. 204) 6/01

41006773 Rev. A