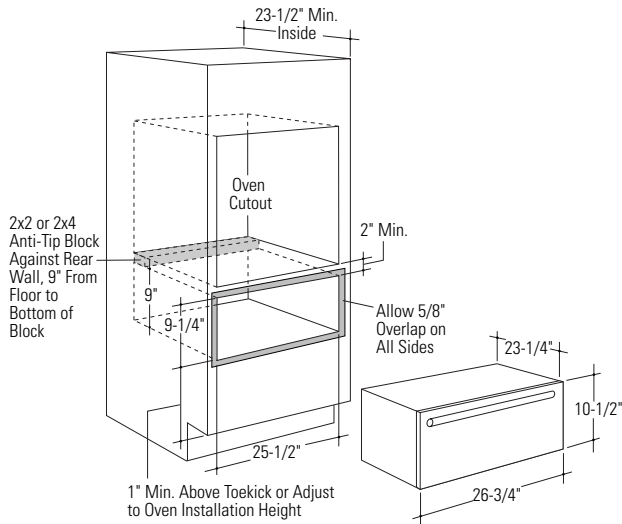




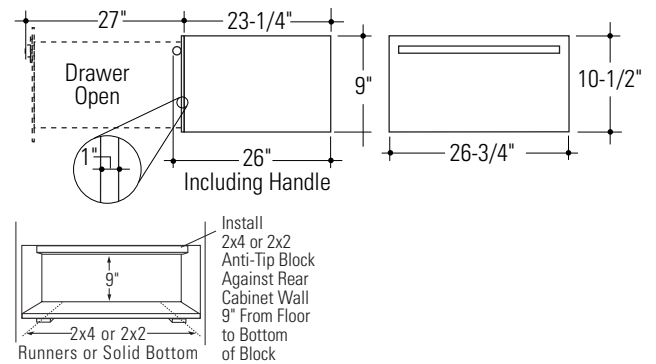
Monogram™

ZKD910BF/SF/WF – GE Monogram 27" Warming Drawer

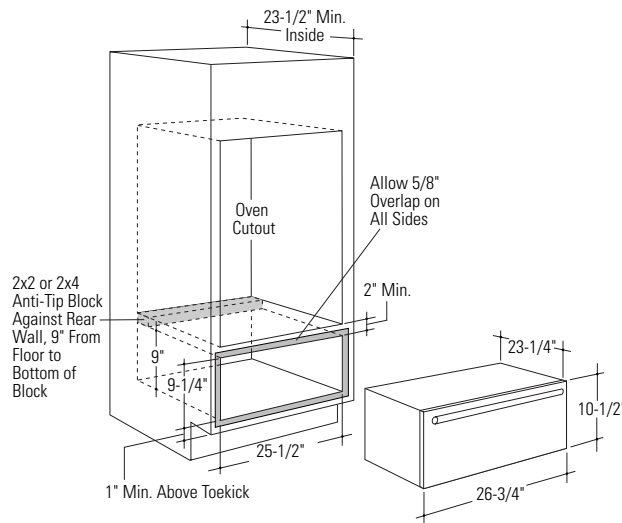
Single Oven Installation (in inches)



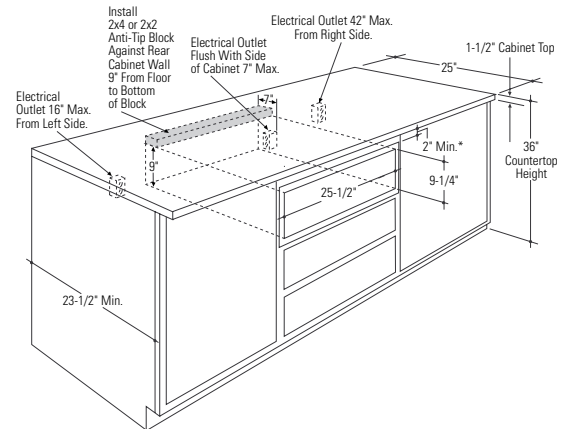
Warming Drawer Dimensions (in inches)



Double Oven Installation (in inches)



Undercounter Installation (in inches)



Note: When installing warming drawer with a cooktop, allow a 2" minimum from cooktop burner box bottom to top of cut-out.

Important Installation Note:

Must provide anti-tip brace at the back of the cabinet and at the top of the cutout.

Optional Accessories:

ZXD27B – 1/4" wood panel trim kit

Note: Additional clearance between cutouts may be required. Check to be sure that oven supports above the Warming Drawer location do not obstruct the required interior 23-1/2" depth and 9-1/4" height.



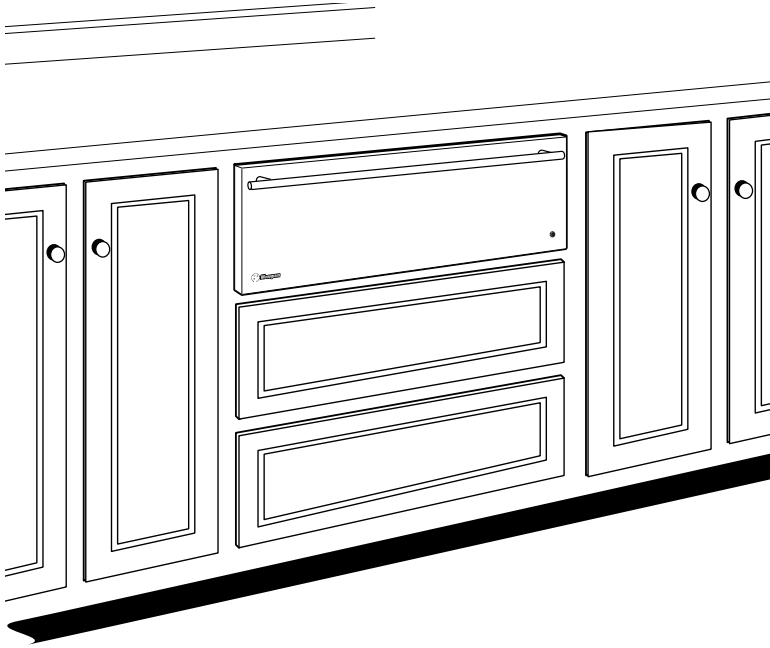
Listed by Underwriters Laboratories

For answers to your Monogram®, GE Profile™ or GE appliance questions, visit our website at GEAppliances.com or call GE Answer Center® service, 800.626.2000.



Monogram™

ZKD910BF/SF/WF – GE Monogram 27" Warming Drawer



Features and Benefits

- 1.67 cu. ft Capacity
- Variable Temperature Control – Proof(80)/Low(140)/Med(170)/High(210)
- Variable Humidity Control – Crisp to Moist
- Half Rack
- “On” Signal Light
- On/Off Rocker Switch
- Removable Stainless Steel Pan
- Full Extension Ball Bearing Glides
- Hidden Controls Provide Flush Installation Appearance
- Variable Installation Options
- Pan Set Included
- Model ZKD910WFWW – White on white
- Model ZKD910BFBB – Black on black
- Model ZKD910SFSS – Stainless steel