

Installation Instructions

27" and 30"
Warming Drawers

Models:
ZKD910
ZTD910



Safety Information

BEFORE YOU BEGIN

Read these instructions completely and carefully.

- **IMPORTANT** – Save these instructions for local inspector’s use.
- **IMPORTANT** – Observe all governing codes and ordinances.
- **Note to Installer** – Be sure to leave these instructions with the Consumer.
- **Note to Consumer** – Keep these instructions with your Owner’s Manual for future reference.
- **Completion Time – 1 to 3 hours.**
- Proper installation is the responsibility of the installer. Product failure due to improper installation is not covered under the warranty. See Owner’s Manual for warranty information.
- Use this appliance only for its intended purpose.
- Check with local utilities for electrical codes that apply in your area. Local codes vary. Installation electrical connections and grounding must comply with applicable codes. In the absence of local codes, the drawer should be installed in accordance with National Electrical Code ANSI/NFPA 70-1990 or latest edition.

⚠ WARNING

This appliance must be properly grounded. See “Grounding the Appliance.”

For Monogram local service in your area, 1.800.444.1845.

For Monogram Service in Canada, call 1.800.561.3344.

For Monogram Parts and Accessories, call 1.800.626.2002.

If you received a damaged warming drawer, you should contact your dealer.

⚠ WARNING

An anti-tip brace must be installed to prevent the drawer from tipping forward when opened and loaded. Failure to do so could result in personal injury.

Design Information

CONTENTS

Design Information

Models Available	3
Accessories	3
Product Dimensions	4
Grounding the Appliance	5

Installation Preparation

Tools and Materials Required	6
Remove Packaging	6
Installation Options	7
Installation Below a Countertop	8
Provide Cabinet Support.....	9

Installation Instructions

Step 1, Anti-Tip Brackets.....	9
Step 2, Install Warming Drawer	9
Custom Panel Accessory Kit Installation	10, 11
Professional Style Panel Accessory Kit Installation.....	12, 13

MODELS AVAILABLE

The warming drawers may be installed directly into a wall or wall oven cabinetry, or below a countertop.

30" Wide Model:

ZTD910

27" Wide Model:

ZKD910

FRONT PANEL ACCESSORIES

ZXD27B, ZXD30B:

This kit provides for the installation of a custom front panel on 27" and 30" wide black and white models.

NOTE: The original drawer front will be removed and discarded when this kit is used. The tubular handle can be reinstalled onto the custom panel with longer screws (not provided). Or, the original handle can be replaced with a custom handle *of your choice*. (Handle is not supplied.) Choose a custom handle to match or complement cabinetry hardware.

JXPN2:

Warming drawer pan kit. This kit includes supports and one full size and one half size pan with lids. The pans fit 27" and 30" wide models.

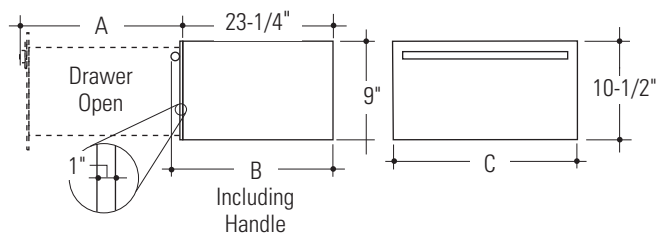
ZXD30P:

This kit provides for the installation of a stainless steel professional style door with handle for 30" models.

NOTE: The ZXD30P professional drawer panel with handle is a one-piece assembly that replaces the original drawer front and tubular handle. The original tubular handle (or a custom handle) cannot be installed onto this professional drawer panel. This ZXD30P accessory is designed to fit 30" warming drawers manufactured after February 2006.

Design Information

PRODUCT DIMENSIONS AND CLEARANCES



Dimensions			
	A	B	C
ZTD910	22"	26"	30"
ZTD910 w/ZXD30P	23-1/4"	27-1/2"	30"
ZKD910	22"	26"	26-3/4"

ADVANCE PLANNING

- The drawer may be installed below a countertop, a cooktop, a single or double oven and side by side using 2 drawers.
- The warming drawer can be installed below approved cooktops. Allow 2" min. clearance from bottom of cooktop burner box to top of warming drawer cutout. See page 8.
- The warming drawer can be installed below approved ovens. Allow a 2" min. clearance between cutouts. Additional clearances may be required. See page 7.
- Electrical power cord is located on the right side of the warming oven. Locate the outlet within reach of the 56" long power cord in an adjacent cabinet, within 42" of the right side or 16" from the left side of the cutout. A recessed receptacle can be installed on the right side of the cutout, 7" max. from the rear of cabinet.

Design Information

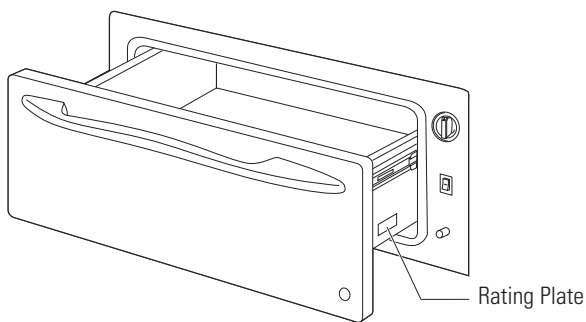
GROUNDING THE APPLIANCE

Please read carefully.

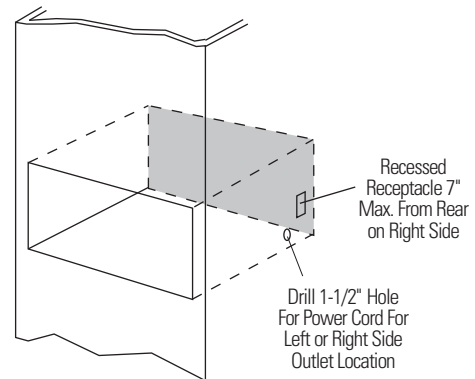
FOR PERSONAL SAFETY, THIS APPLIANCE MUST BE PROPERLY GROUNDED.

Do not use an extension cord or adapter plug with this appliance. Follow National electrical codes or prevailing local codes and ordinances.

This warming drawer must be supplied with 120V, 60Hz, and connected to an individual, properly grounded branch circuit, and protected by a 15 or 20 amp circuit breaker or time delay fuse.



- A properly grounded 3-prong receptacle should be located within reach of the drawers' 56" long power cord.
- Locate the receptacle in an adjacent cabinet.
 - within 42" of the right side or,
 - within 16" of the left side or,
 - A recessed receptacle may be located on the right side of the cutout, 7" from the back of the cabinet. In this location, the excess power cord should be coiled and taped to the right side of the unit.
- When two warming drawers are installed side to side, they can operate from the same receptacle.



Please read carefully.

The power cord of this appliance is equipped with a 3-prong (grounding) plug that mates with a standard 3-prong grounding wall receptacle to minimize the possibility of electric shock. The customer should have the wall receptacle and circuit checked by a qualified electrician to make sure the receptacle is properly grounded and has the correct polarity.

- Where a standard 2-prong wall receptacle is encountered, it is the personal responsibility and obligation of the customer to have it replaced with a properly grounded 3-prong wall receptacle.

Do not, under any circumstances, cut or remove the third (ground) prong from the power cord.

DO NOT USE AN EXTENSION CORD WITH THIS APPLIANCE.

Installation Preparation

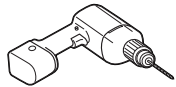
TOOLS REQUIRED



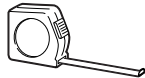
Hand Saw



Safety Glasses



Drill and
1/16" Bit



Measuring Tape



Phillips Screwdriver



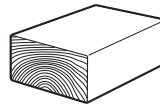
Level

MATERIALS REQUIRED (provided)

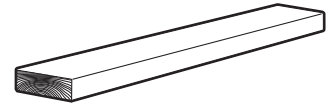


4 Wood Screws

MATERIALS REQUIRED (not provided)



2x2 or 2x4
Wood Block
for Anti-Tip
Security



2x2 or 2x4
Lumber for
Runners



Adhesive or other hardware for installing
runners or shelf to support warmer drawer

Runners must be level, rigidly mounted
and capable of supporting 150 pounds.

REMOVE PACKAGING

- Place carton on a flat surface.
- Open one end of the carton and lift off the top piece.
- Lift the warmer up and out of the carton.
- Place the drawer on top of the shipping carton to protect the drawer front and the finished flooring.

- Remove all packing materials and tape.
- Locate package containing 4 wood screws and set aside.

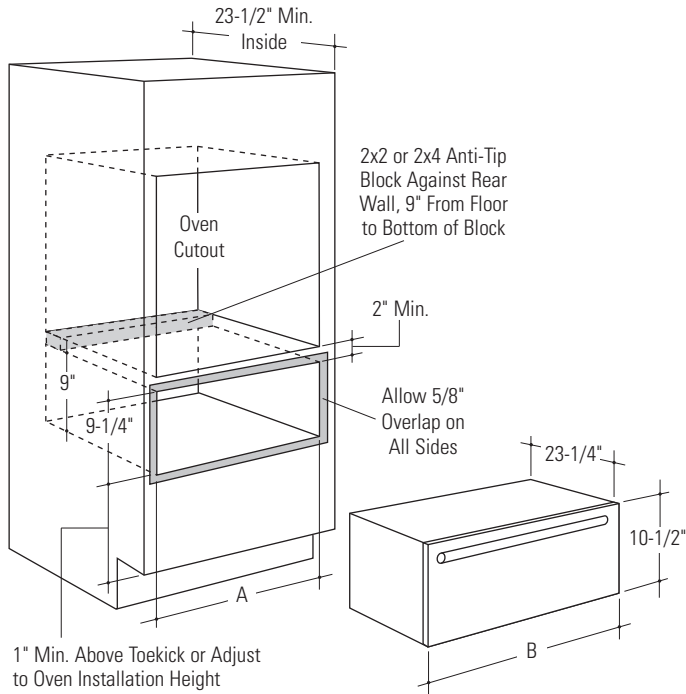
Parts provided:

- 4 Wood Screws.

Installation Preparation

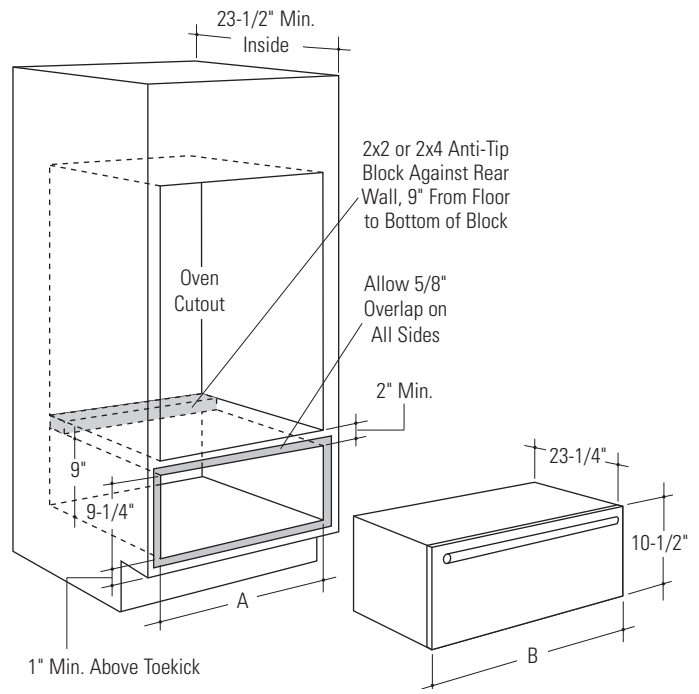
INSTALLATION OPTIONS

Installation Below a Single Oven



1" Min. Above Toekick or Adjust to Oven Installation Height

Installation Below a Double Oven



1" Min. Above Toekick

NOTE: Additional clearance between cutouts may be required. Check to be sure that oven supports above the Warming Drawer location does not obstruct the required interior 23-1/2" depth and 9-1/4" height.

	Dimensions	
	A	B
ZTD910	28-1/2"	30"
ZKD910	25-1/2"	26-3/4"

NOTE: Additional clearance between cutouts may be required. Check to be sure that oven supports above the Warming Drawer location does not obstruct the required interior 23-1/2" depth and 9-1/4" height.

When installed under a wall oven:

Warming drawers are approved for installation below only certain specified wall oven models. See the label attached to the top of the warming drawer for approved models.

- When installed, the front face of the drawer will be nearly flush with adjacent cabinetry doors.
- Drawer overlaps will conceal cut edges on all sides of the opening.

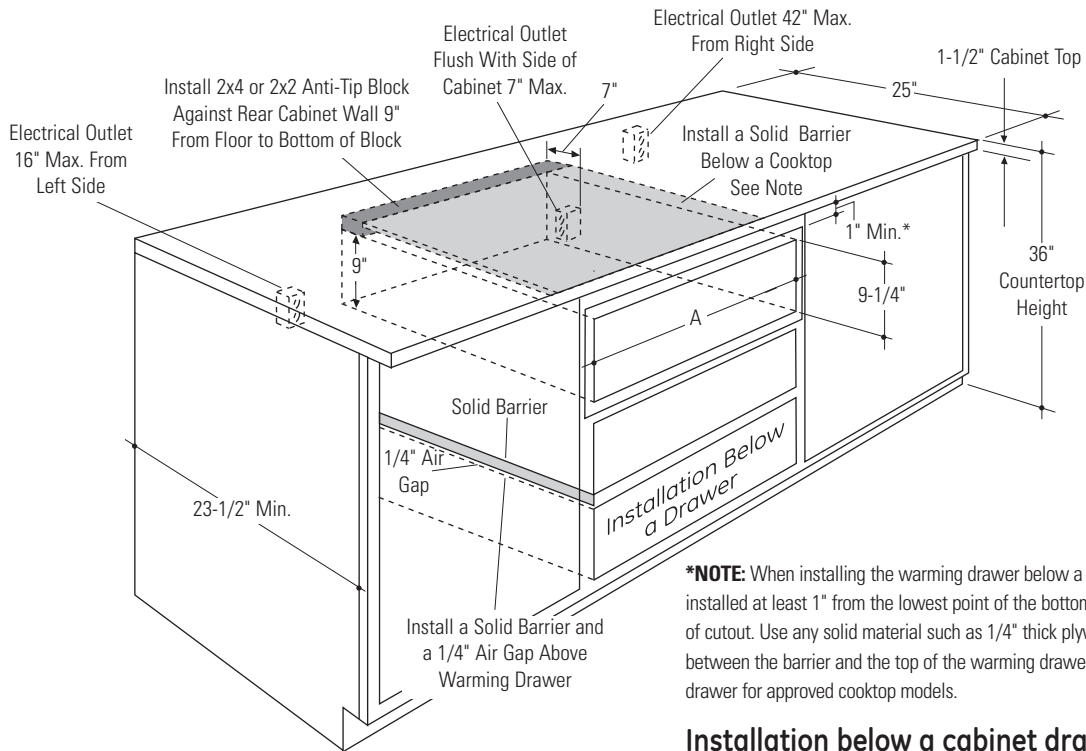
The rough opening for the drawer must be:

- Depth: 23-1/2" min. from inside back to front of cabinet frame.
- Width: 25-1/2" for 27" wide models, 28-1/2" for 30" wide models.
- Height: 9-1/4".
- Allow 2" min. between oven and drawer cutouts for clearance of overlaps.

NOTE: If you are installing in frameless cabinets, it may be necessary to install 1/2" wide cleats to accept drawer mounting screws. See drawer for mounting screw locations.

Installation Preparation

INSTALLATION BELOW A COUNTERTOP



Dimensions	
	A
ZTD910	28-1/2"
ZKD910	25-1/2"

***NOTE:** When installing the warming drawer below a cooktop, a solid barrier must be installed at least 1" from the lowest point of the bottom of cooktop burner box to the top of cutout. Use any solid material such as 1/4" thick plywood. Allow at least 1/4" air gap between the barrier and the top of the warming drawer. See label on top of the warming drawer for approved cooktop models.

- When installed, the front face of the drawer will be nearly flush with adjacent cabinetry doors.
- Drawer overlaps will conceal cut edges on all sides of the opening.

The rough opening for the drawer must be:

- Depth: 23-1/2" min. from inside back to front of cabinet frame.
- Width: 25-1/2" for 27" wide models, 28-1/2" for 30" wide models.
- Height: 9-1/4".
- 5" min. above floor or 1" above toekick. 23-1/4" from floor to bottom of cutout is recommended for under countertop installation.

Installation below a cooktop:

Warming drawers are approved for installation below only certain specified cooktop models. See the label attached to the top of the warming drawer for approved models. A solid barrier and air gap between cooktop and warming drawer is required. See Note above.

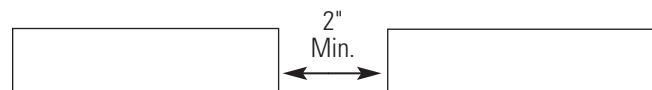
Installation below a cabinet drawer:

The warming drawer may be installed beneath a cabinet drawer. In this installation, a solid barrier should be installed above the warming drawer to block access. Use any solid material such as 1/4" thick plywood. Allow at least 1/4" air gap between the barrier and the top of the warming drawer. Observe the 5" min. above the floor or 1" above the toekick minimum installation height.

NOTE: If you are installing in frameless cabinets, it may be necessary to install 1/2" wide cleats to accept drawer mounting screws. See drawer to find exact locations of mounting screws.

Side to Side Installation:

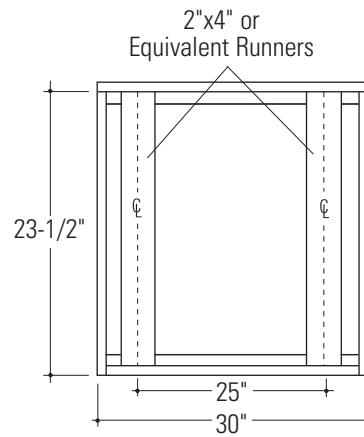
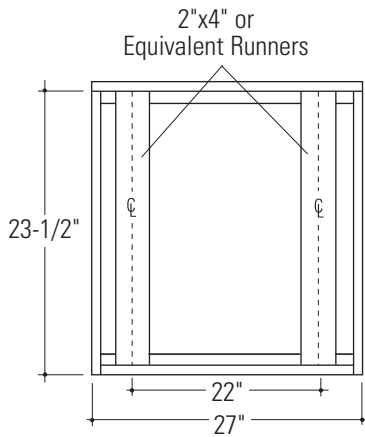
Install two warming drawers in separate cutouts. Allow 2" min. between cutouts.



Side to Side Installation

Installation

PROVIDE CABINET SUPPORT



IMPORTANT: When installed below a single or double oven, check to be sure that any oven supports above the cutout do not obstruct the 23-1/2" required depth of the warming drawer cutout.

- A 2" min. clearance between oven and warming drawer cutouts are required. Additional clearance may be required if 2 x 4 blocks are used to support runners or solid floor of the oven above.
- The warmer drawer may be supported by either a solid bottom, 2 x 4 or 2 x 2 runners.

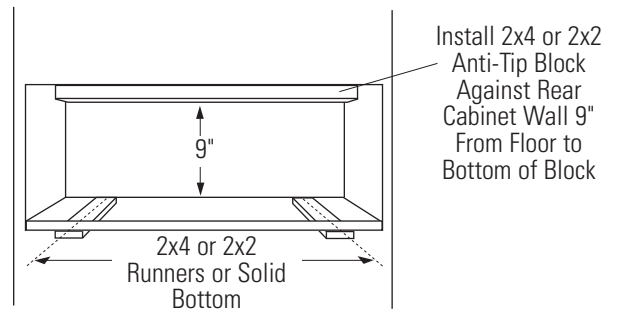
- The support must be level and rigidly mounted, flush with the bottom edge of the cutout.
 - There is no way to level the drawer once it has been installed. Be sure supports are level.
- The entire weight of the drawer is supported by the runners or solid floor and must be capable of supporting 150 lbs.

STEP 1 INSTALL ANTI-TIP BRACKETS

⚠ WARNING

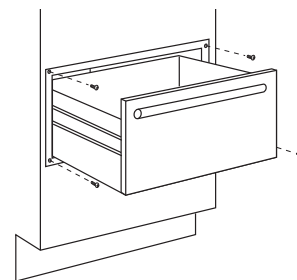
ANTI-TIP PRECAUTIONS

An anti-tip brace must be installed to prevent the drawer from tipping forward when opened and loaded. Failure to do so could result in personal injury.



STEP 2 INSTALL WARMING DRAWER

- Slide the left corner of the drawer into the opening.
- Push the power cord into the hole leading to the outlet location. Thread the cord through as the drawer is being pushed back into the opening. Check to be sure the power cord does not get trapped under the drawer.
 - If the outlet is installed inside the opening, plug the cord into the outlet. In this location, the excess power cord length should be coiled and taped to the right side of the unit.
- Push the drawer back until the front flange is flush to the cabinet front.



- Open the drawer fully.
- Drill pilot holes through the holes in the overlapping frame, one on each corner.
- Drive the wood screws provided into each corner.

Installation Instructions

WARMING DRAWER CUSTOM PANEL ACCESSORY KIT ZXD27B AND ZXD30B

For installation of 27" and 30" wide warming drawer custom panel and custom handle.

BEFORE YOU BEGIN

Read these instructions completely and carefully.

- **IMPORTANT** – Save these instructions for local inspector's use. Observe all governing codes and ordinances.
- **Note to Installer** – Be sure to leave these instructions with the Consumer.
- **Note to Consumer** – Keep these instructions with your Owner's Manual for future reference.

TOOLS AND MATERIALS REQUIRED

- Phillips screwdriver
- Drill and appropriate bits (Brad point recommended for drilling through wood panels)
- Custom panel
- Custom handle (optional)
- Adhesive recommended for metal to wood
- Adhesive recommended for plastic to wood

PARTS SUPPLIED

- Lamp Jewel
- Metal mounting panel

This kit contains a mounting panel to support a trimless custom drawer front up to 3/4" thick. The tubular handle can be reinstalled onto the custom panel with longer screws (not provided). Or, the original handle can be replaced with a custom handle *of your choice*. (Handle is not supplied.) Choose a custom handle to match or complement cabinetry hardware.

IMPORTANT: The warming drawer should be installed according to the installation instructions packed with the product. The original drawer front will be removed and replaced with a custom panel.

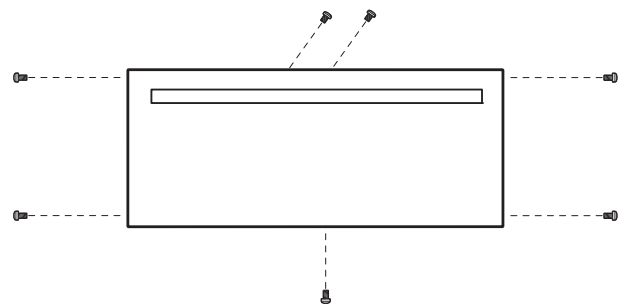
- Cut edges of the drawer panel will be seen and must be finished for best appearance.
- The custom drawer front panel, both raised and flat design, should be constructed in the same manner as typical cabinet doors.
- Order the custom drawer panel from the cabinet manufacturer. Be sure to provide the exact dimensions so that the panel is constructed accurately.
- Order the optional custom handle to complement or match surrounding cabinetry handles.

STEP 1 PREPARE DRAWER FOR PANEL INSTALLATION

- Open the drawer fully.
- Turn the warming drawer off.

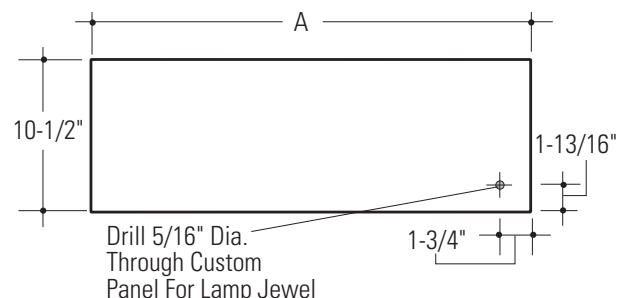
STEP 2 REMOVE ORIGINAL DRAWER FRONT

- Remove the two screws on each side and the one screw at the bottom of the drawer edge.
- Remove the two screws on the inside of the drawer at the top. Retain all screws.
 - Support the drawer front as you remove screws to prevent the possibility of falling.



STEP 3 PREPARE CUSTOM PANEL

- The custom panel must be sized to fit the dimensions shown for your model.
- Drill a 5/16" diameter hole through the appearance side of the panel. This hole will allow the indicator "ON" light to be visible through the custom panel. The cut edges will be covered by the overlap of the lamp jewel.
 - A Brad point drill bit is recommended.

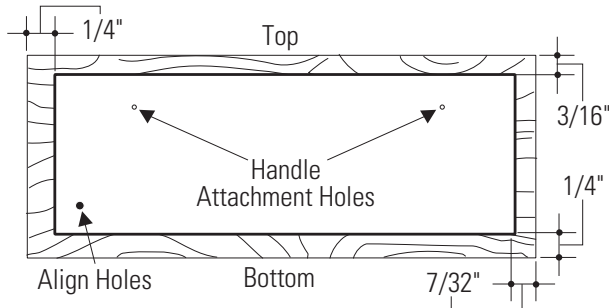


A = 26-3/4" for 27" Wide Models
A = 30" for 30" Wide Models

Installation

STEP 4 SECURE CUSTOM PANEL TO METAL MOUNTING PANEL

- Lay the custom panel, appearance side down, on a clean surface.
- Place the flat side of the metal panel onto the back side of the custom panel, with the mounting flanges facing up.
- Align the lamp hole in the panel with the mounting panel.
- Check top, bottom and side overlap dimensions from the metal panel to wood panel edge as shown.



Back side of Appearance Panel with Support Panel

STEP 5 FOR PANELS LESS THAN 3/4" THICK

- Separate the custom panel and metal panel.
- Apply a few horizontal beads of adhesive to the metal panel. Avoid adhesive within 1" of lamp hole area and outer edges.

STEP 5A FOR 3/4" (OR GREATER) THICK PANELS

3/4" thick panels may be secured to the metal panel with screws.

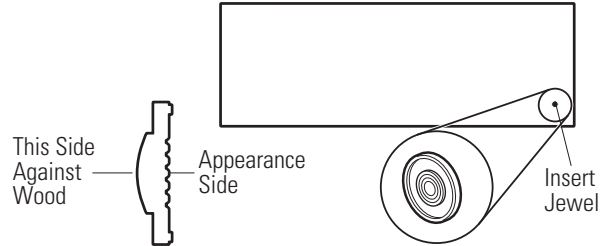
- Use the metal panel as a template. Position the metal panel over the back side of the custom panel and drill pilot holes. Drill pilot holes sized to match screws being used (screws not provided).

CAUTION: Select screw length carefully to avoid penetration of the finished side.

STEP 6 INSTALL LAMP JEWEL

Turn the assembly appearance side up.

- Use plastic to wood adhesive to secure the lamp jewel to the front of the wood panel. On the side with the bulge, (see illustration) apply a small bead of adhesive around the outside edge. Place the jewel into the drilled hole.

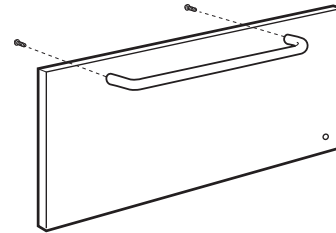


STEP 7 REINSTALL ORIGINAL HANDLE OR OPTIONAL CUSTOM HANDLE

A custom handle (not supplied) may be installed.

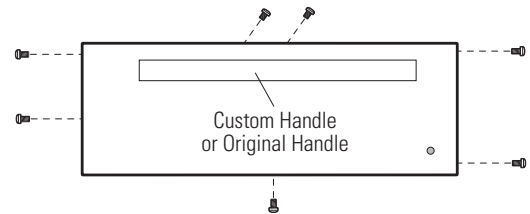
- Drill pilot holes through the front of the custom panel and through the metal panel to match the chosen handle.

NOTE: The handle screws should be installed through the metal panel, the custom panel and into the custom or original handle.



STEP 8 INSTALL ASSEMBLED PANEL TO THE DRAWER

- Install the custom panel assembly to the exposed drawer front using the original 7 screws.



Installation Instructions

PROFESSIONAL STYLE PANEL ACCESSORY KIT

ZXD30P

BEFORE YOU BEGIN

Read these instructions completely and carefully.

- **IMPORTANT** – Save these instructions for local inspector’s use. Observe all governing codes and ordinances.
- **Note to Installer** – Be sure to leave these instructions with the Consumer.
- **Note to Consumer** – Keep these instructions for future reference.

TOOL AND MATERIALS REQUIRED

- Phillips screwdriver

PARTS SUPPLIED

Stainless Steel Professional Style Drawer Accessory

This kit contains a stainless steel professional style panel with a handle and a lamp jewel imbedded in the bottom right side. Install the warming drawer according to the installation instructions packed with the product.

NOTE: The ZXD30P professional drawer panel with handle is a one-piece assembly that replaces the original drawer front and tubular handle. The original tubular handle (or a custom handle) cannot be installed onto this professional drawer panel. This ZXD30P accessory is designed to fit 30" warming drawers manufactured after February 2006.

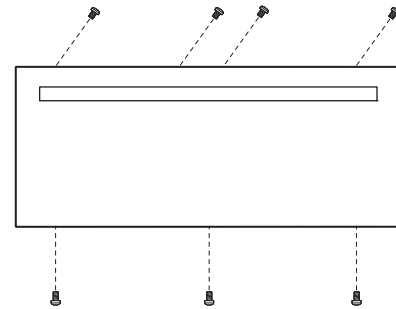
STEP 1 PREPARE DRAWER FOR PANEL INSTALLATION

IMPORTANT: The drawer must be installed into the cabinet before opening the drawer.

- Open the drawer approximately halfway.
- Turn the warming drawer to “OFF.”

STEP 2 REMOVE ORIGINAL DRAWER FRONT

- Remove the three screws from the bottom of the drawer edge.
- Remove the four screws on the inside of the drawer at the top. Retain all screws.
 - Support the drawer front as you remove screws to prevent the front panel from falling.



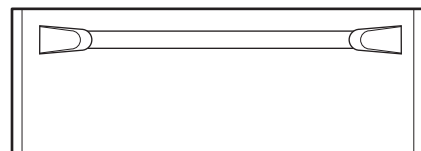
STEP 3 REMOVE THE PACKAGING

- Open the carton and remove the panel. Remove all protective covering on both sides.

CAUTION: Keep all plastic material away from babies and small children. Plastic could pose a choking or suffocation hazard.

STEP 4 INSTALL PANEL ONTO DRAWER

- Install the panel assembly to the exposed drawer front using the original 7 screws.



Notes

Notes

Notes

NOTE: While performing installations described in this book, safety glasses or goggles should be worn.

For Monogram® local service in your area, call 1.800.444.1845.

NOTE: Product improvement is a continuing endeavor at General Electric. Therefore, materials, appearance and specifications are subject to change without notice.

31-10700-1

10-08 JR

Printed in the United States



GE Consumer & Industrial
Appliances
General Electric Company
Louisville, KY 40225
ge.com