

ZET2PM

GE Monogram® 30" Built-In Double Oven

Dimensions and Installation Information (in inches)

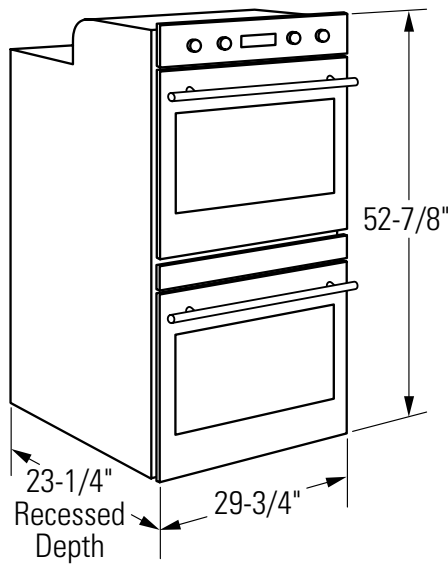
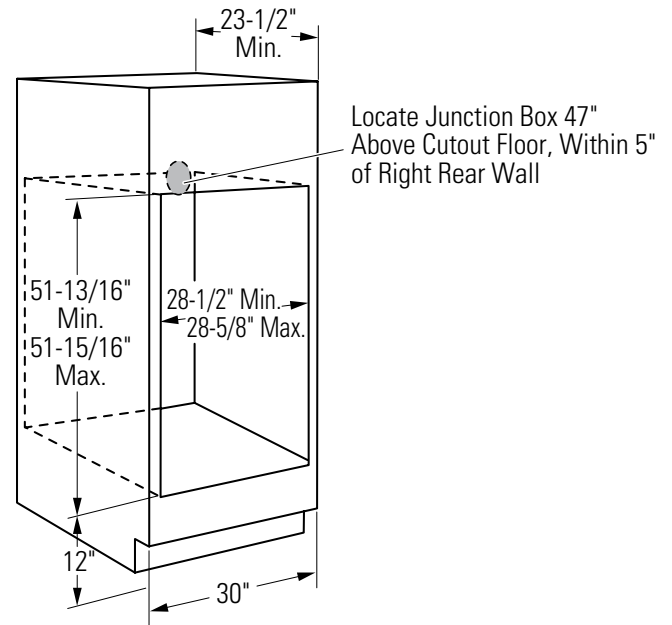
KW Rating	
240V	8.6
208V	7.8
Breaker Size	
240V	40 Amps
208V	40 Amps

Installation Flexibility

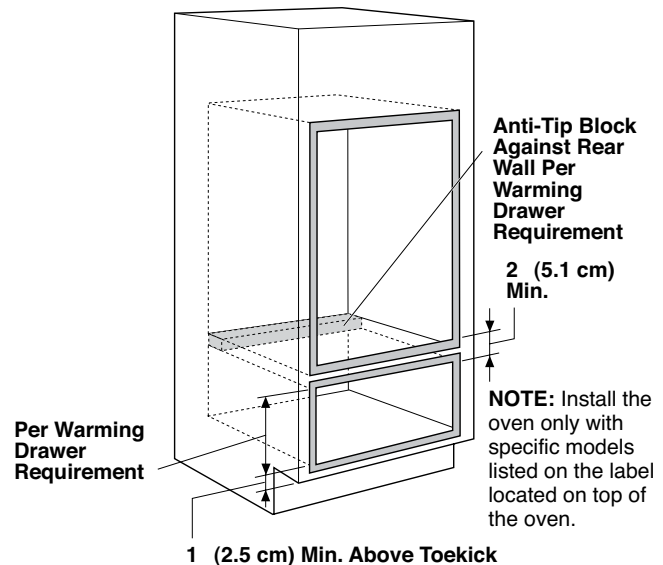
These ovens may be installed in combination with a Monogram warming drawer.

Note: Cabinets installed adjacent to wall ovens must have an adhesion spec of at least a 194°F temperature rating.

Installation Information: Before installing, consult installation instructions packed with product for current dimensional data.



The solid bottom or runners must be level with the bottom of the cutout, or the bottom trim may not install correctly and could interfere with the door opening. If the cabinet does not have a solid bottom, two braces or runners must be installed level with the bottom of the cutout to support the weight of the oven. The runners and braces must support 375lbs. (90 kg).



For answers to your Monogram®, GE Profile™ or GE® appliance questions, visit our website at ge.com or call GE Answer Center® service, 800.626.2000.

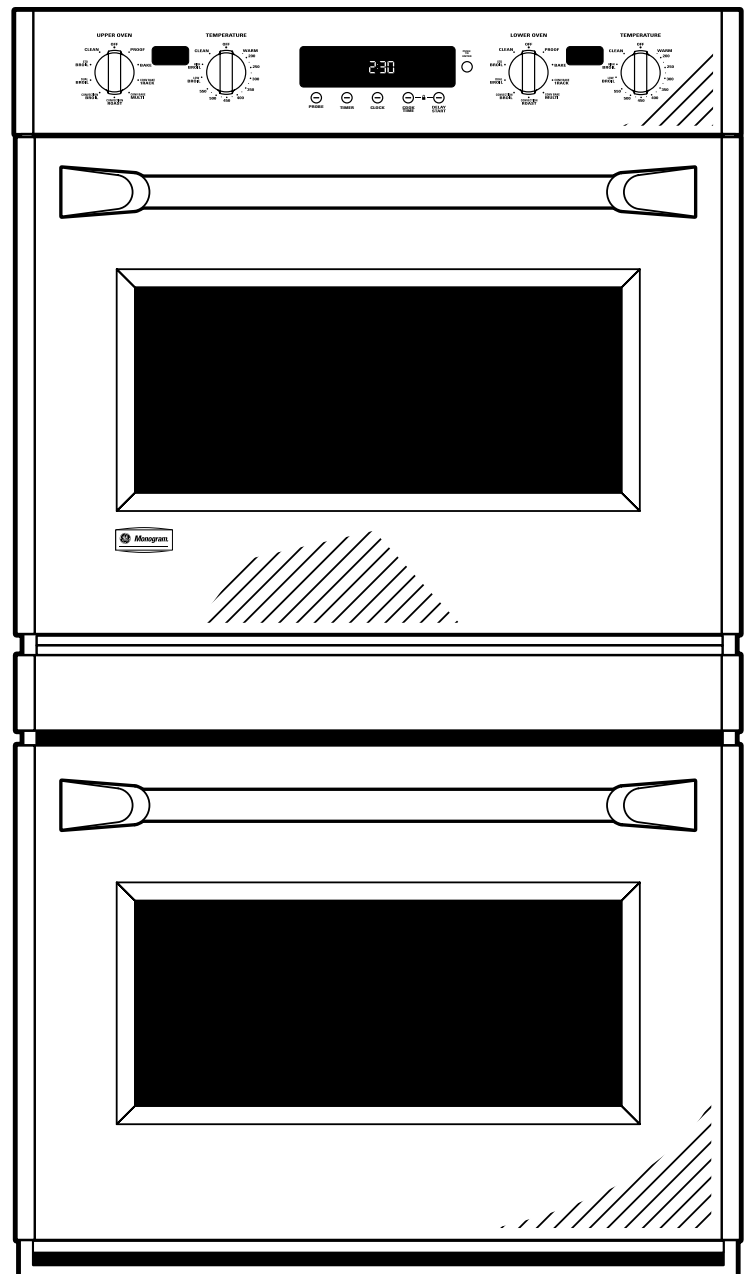


ZET2PM

GE Monogram® 30" Built-In Double Oven

Features and Benefits

- Electronic Dial Controls - Have a robust, die-cast metal design, yet rotate with smooth digital precision
- Halogen Light Columns - On the oven walls provide brilliant task lighting for each rack position
- Exclusive Self-Cleaning, Full-Extension Oven Racks - Glide in and out smoothly on stainless steel ball bearings, and are designed to be left in the oven during the self-clean cycle
- 4.4 Cu. Ft. Capacity (Each Oven) - Easily accommodates even the largest meals
- True Hidden Bake Element - Concealed beneath the oven floor, allowing additional capacity and improved cleanability
- Reverse-Air Convection System - Uses an innovative fan that reverses direction for optimal air and heat circulation, providing even cooking and multi-rack baking capability
- Six-Element Design - Two bake, two broil and two convection elements provide precise cooking control, with fast preheating
- 208V Performance Compensation - Utilizes the six-element design to boost power in reduced-voltage installations
- Professional-Style Handles - Solid and substantial, reinforcing the overall look of sculptural sophistication
- Chamfered, Hand-Finished Edges - Give the premium-grade stainless steel door an added sense of depth and dimension
- Two Broil Elements with Reflector Shield - Offer intense, dual-zone broiling
- Large Viewing Window - Allows you to view your culinary work in progress
- Model ZET2PMSS - Stainless steel



imagination at work