

R301W

43.25" x 30.0" x 23.62" (H x W x D)

White Pearl gas range with electronic ignition and four sealed burners

Highlights:

Savor the ultimate cooking experience with a huge 4.3 cubic foot oven cavity

Porcelain stove top is firm on durability and fast on clean-up

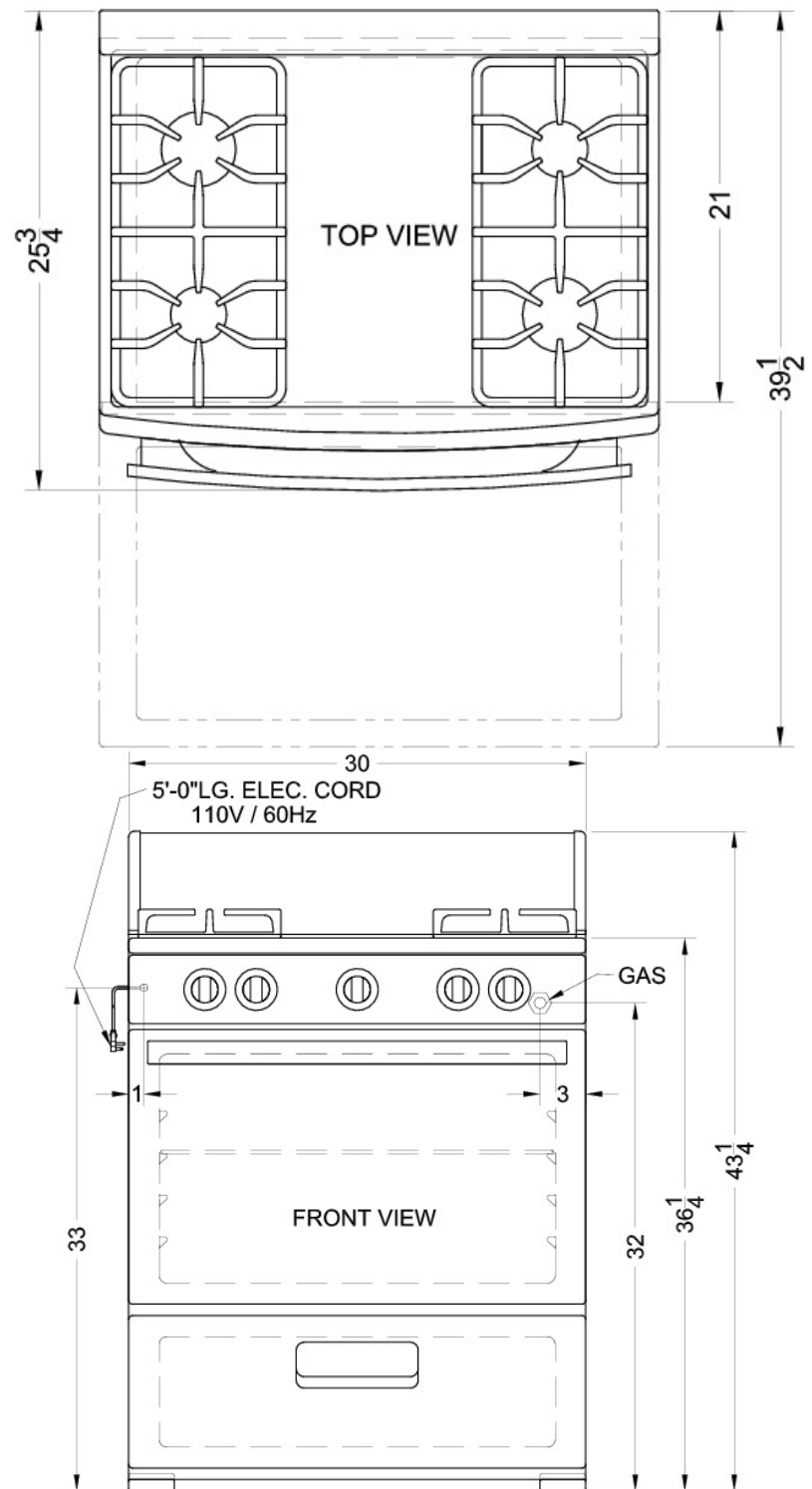
Superior construction of resilient white porcelain and enamel steel looks great in any kitchen



Porcelain stovetop	Durable surface is easy to clean and looks great with or without food on top
Four sealed burners	Quality heating and quick clean-up on your stovetop
Heavy duty continuous grates	These solid iron grates can easily support high temperature and heavy weight
Broiler drawer	Broil food in a separate bottom drawer with heat that spreads evenly from the top down
Electronic ignition	No gas is released until you turn your range on
Backsplash	High backing prevents stovetop contents from splashing up or boiling over and staining walls
Broiler pan	We include a high quality broiler pan for your convenience
Anti-tip bracket	Accidents happen, but not on this unit. Anti-tip bracket keeps your range in place
Convertible for natural or LP gas	Your range can run on either gas
Color matched handle	White handle blends seamlessly into the range for a clean look

Specifications:

Height	43.25"
Width	30.0"
Depth	23.62"
Capacity	4.33 cu.ft.
Shipping Weight	190.0 lbs.
Voltage/Frequency	115 V AC/60 Hz
Canadian Electrical Safety	ULC
US Electrical Safety	UL
Oven Rack Quantity	2
Depth with door at 90°°	39.5"
Fuel Type	Gas
Burner Type	Coils
Burner Temperature Control	Dial
Number of Burners	4
LP Convertible	true
Cooktop Surface	Painted
Oven Temperature Control	Dial
Interior Oven Light	true
Parts/Labor Warranty	1 Year



Summit Appliances Division, Felix Storch, Inc.
 770 Garrison Ave • Bronx, NY 10474
 Phone: 718-893-3900 • Fax: 718-842-3093
 Email: info@summitappliance.com