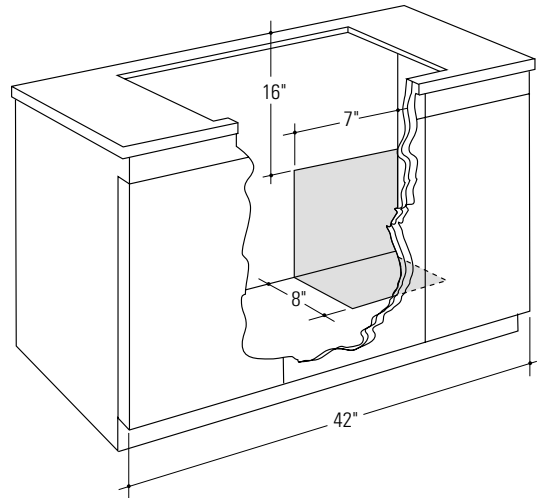
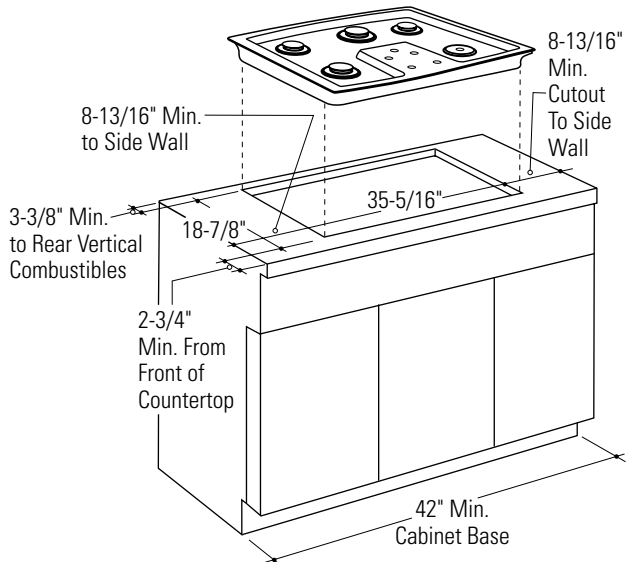
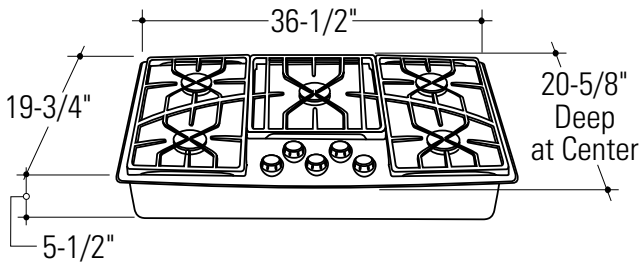




Monogram™

ZGU375LSDSS/ZGU375NSDSS—GE Monogram 36" Stainless Steel Gas Cooktop

Dimensions and Specifications (in inches)



Note: Reference Instructions, GE Monogram 36" Stainless Steel Cooktop Installation, packed with product, for complete details.

Slab Installation: For peninsula or island installation and rear wall ducting, PVC duct should be used if installing under a poured concrete slab.

Note: The cooktop cutout is rectangular. The bowed front edge of the cooktop will sit on top of the counter.

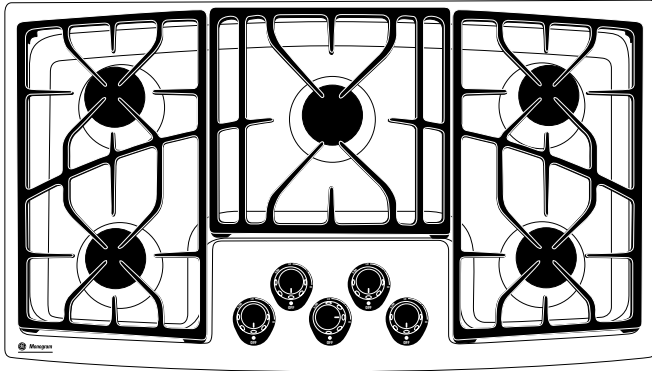
For answers to your Monogram®, GE Profile™ or GE appliance questions, visit our website at GEAppliances.com or call GE Answer Center® service, 800.626.2000.





Monogram™

ZGU375LSDSS/ZGU375NSDSS—GE Monogram 36" Stainless Steel Gas Cooktop



Features and Benefits

- 36" Stainless Steel Cooktop
- Five Dual Flame Stacked Burners
- Five 140°F Simmer Burners
- Five Cooking Areas with Sealed Cooktop Burners
- (2) 10,500 BTU Gas Burners
- (2) 12,000 BTU Gas Burners
- (1) 15,000 BTU Gas Burner
- Electronic Pilotless Ignition
- Auto Reignition
- 304 Stainless Steel Surface
- Cast-Iron Porcelainized Burner Grates
- Continuous Interlocking Grates
- Front-Mounted Controls
- Tactile Grip Knobs
- Five Burner "On" Indicator Lights
- Model ZGU375NSDSS—(Natural Gas)
Stainless steel
- Model ZGU375LSDSS—(Liquid Propane)
Stainless steel