

GE Monogram®

Installation

Instructions

**Professional
Gas Cooktops**

48" Natural Gas Models

ZGU48N4G

ZGU48N6R

ZGU48N6D

48" LP Gas Models

ZGU48L4G

ZGU48L6R

ZGU48L6D

36" Natural Gas Models

ZGU36N6

ZGU36N4R

ZGU36N4D

36" LP Gas Models

ZGU36L6

ZGU36L4R

ZGU36L4D

Before you begin—Read these instructions completely and carefully.

IMPORTANT: Save these instructions for local inspector's use.

IMPORTANT: OBSERVE ALL GOVERNING CODES AND ORDINANCES.

NOTE TO INSTALLER: Be sure to leave these instructions with the Consumer.

NOTE TO CONSUMER: Keep these instructions with your Owner's Manual for future reference.

⚠ WARNING This appliance must be properly grounded. See "Electrical Supply", page 6.

For Monogram local service in your area,
1-800-444-1845.
For Monogram Service in Canada,
Call 1-888-880-3030.
For Monogram Parts and Accessories, call
1-800-626-2002.

Proper installation is the responsibility of the installer. Product failure due to improper installation is not covered under the GE Appliance Warranty. See the Owner's Manual for details.

If you received a damaged cooktop, you should contact your dealer.

In the Commonwealth of Massachusetts:

- This product must be installed by a licensed plumber or gas fitter.
- When using ball type gas shut off valves, they shall be T-handle type.
- A flexible gas connector, when used, must not exceed 3 feet.

CAUTION:
THESE COOKTOPS SHOULD BE INSTALLED IN CONJUNCTION WITH A SUITABLE OVERHEAD VENT HOOD. Due to the high heat capacity of this unit, particular attention should be paid to the hood and duct work installation to assure it meets local building codes.

Standard countertop and island installations:
A 1200 CFM Hood is recommended for 48" cooktops.
A 600 CFM hood is recommended for 36" cooktops.
Hoods should be 24" min. deep and the same width as the cooktop.

Island installations:
Check local building codes for the proper method of cooktop installation. Local codes vary. Installation, electrical connections and grounding must comply with applicable codes. In the absence of local codes, the cooktop should be installed in accordance with the National Fuel Gas Code ANSI 223.1-1990 and National Electrical Code ANSI/NFPA 70-1990.

CAUTION:
These cooktops are extremely heavy. Due to the weight and size of the cooktop and to reduce the risk of personal injury or damage to the product, **TWO PEOPLE ARE REQUIRED FOR PROPER INSTALLATION.**

Contents

Design Information	Installation
Models Available 3	Step 1: Remove Packaging 7
Accessory Requirements 3	Step 2: Cut the Countertop Opening 7
Product Dimensions and Clearances 4	Step 3: Install the Cooktop 8
Installation Options 5	Step 4: Connect Cooktop to Gas 8
Advance Planning 5	Step 5: Install the Cooktop Backguard 8
Installation Preparation	Step 6: Connect Electrical 9
Tools & Materials Required 6	Step 7: Assemble Burners, Check Ignition 9
Power Supply Locations 6	Adjustable Low Burner Settings 10
	Finalize Installation 10

Design Information

Professional Gas Cooktops

Models Available

These cooktops are factory set for either natural gas or liquid propane gas. Order the model for your installation situation.

48" Natural Gas Models:

ZGU48N4G

4 gas burners, grill and griddle

ZGU48N6R

6 gas burners and grill

ZGU48N6D

6 gas burners and griddle

48" Liquid Propane Gas Models:

ZGU48L4G

4 gas burners, grill and griddle

ZGU48L6R

6 gas burners and grill

ZGU48L6D

6 gas burners and griddle

36" Natural Gas Models:

ZGU36N4D

4 gas burners and griddle

ZGU36N4R

4 gas burners and grill

ZGU36N6

6 gas burners

36" Liquid Propane Gas Models:

ZGU36L4D

4 gas burners and griddle

ZGU36L4R

4 gas burners and grill

ZGU36L6

6 gas burners

Accessory Requirements

All models require the installation of a backguard or trim. A backguard/trim should be ordered at the same time as the cooktop. Both should be on site at the time of installation.

48" backguards, order one:

ZXC1B48

1/2" trim backguard (required for island installations or installations where back wall is non-combustible; such as brick, ceramic tile, marble, etc).

ZXC12B48

12" high backguard

ZXC22B48

22" high backguard with warming shelf (2 piece)

36" backguards, order one:

ZXC1B36

1/2" trim backguard (required for island installations or installations where back wall is non-combustible; such as brick, ceramic tile, marble, etc).

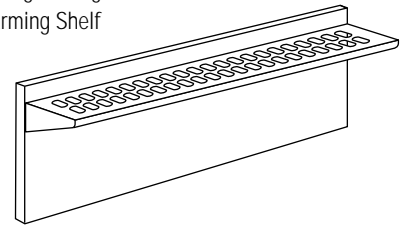
ZXC12B36

12" high backguard

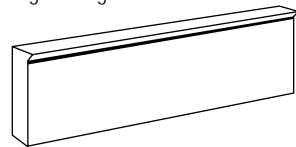
ZXC22B36

22" high backguard with warming shelf (2 piece)

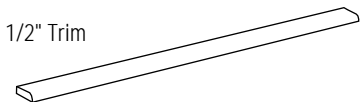
22" High Backguard With Warming Shelf



12" High Backguard



1/2" Trim



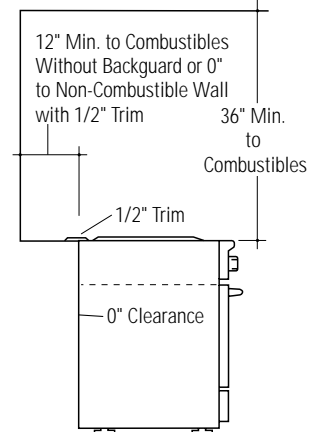
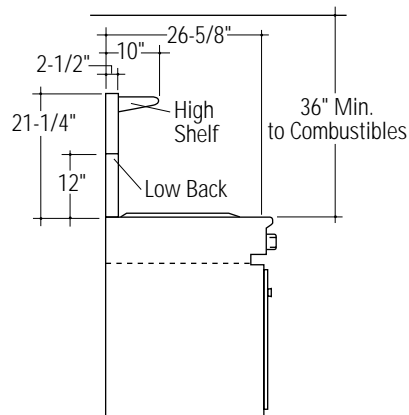
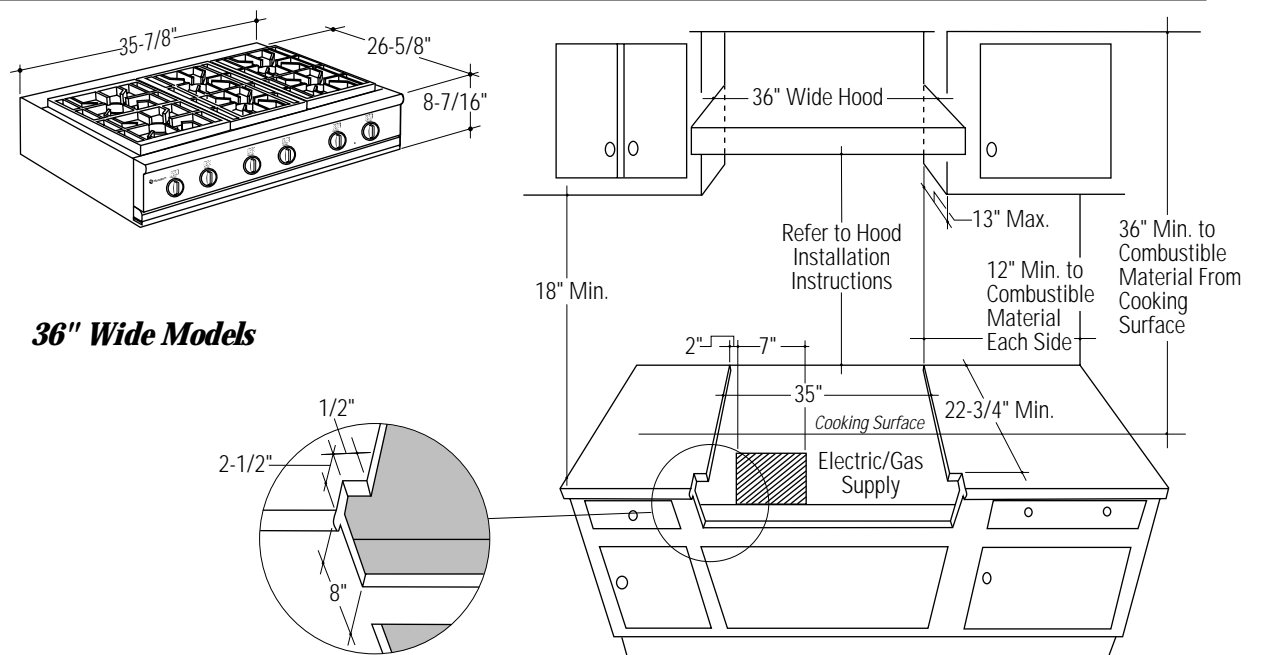
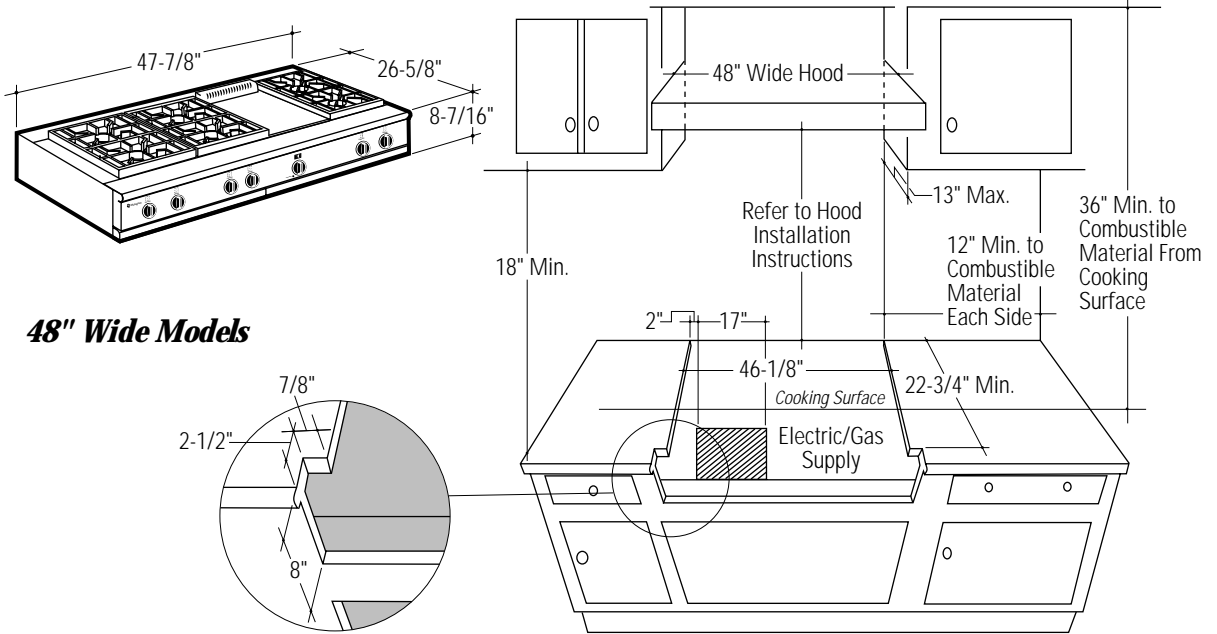
Installation Note:

For approved installations to non-combustible back wall materials, consult material representative to ensure that the material has appropriate resistance to staining and/or discoloration.

Design Information

Professional Gas Cooktops

Product Dimensions & Clearances



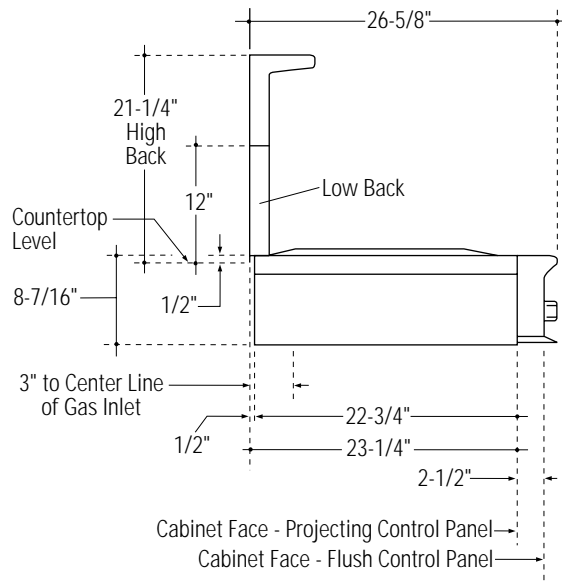
Installation Preparation

Professional Gas Cooktops

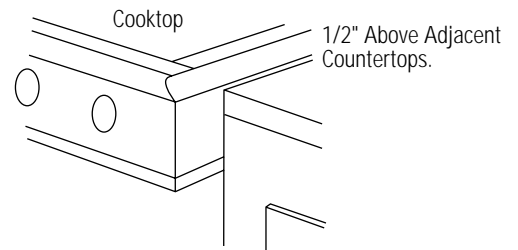
Installation Options

These cooktops can be installed in standard 24" or deeper 25" cabinets.

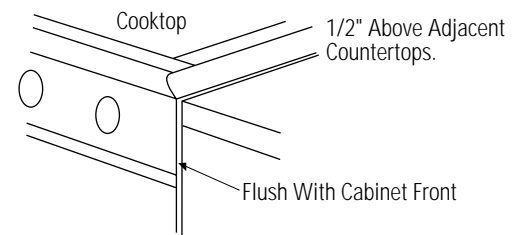
- In 24" deep cabinets, the front of the cooktop will project approximately 1-7/8" beyond the front of the countertop.
- In 25" deep cabinets, the cooktop will be flush with the front of the countertop.



- The stainless surface of the cooktop will be 1/2" higher than adjacent countertop.
- Cooktop fits flush to rear of cutout, no additional support is required.



Front Projects Outward as Shown From Standard Depth Cabinets.



Front Flush With Cabinets - a Minimum of 25-3/4" Cabinet Depth Required

Advance Planning

Refer to "Dimensions and Clearances" for appropriate placement and necessary clearances when planning the installation.

- Cabinetry can not be installed directly above the cooktop.
- We recommend the installation of a vent hood above the cooktop surface.
 - The vent hood should be at least 24" deep.
 - The vent hood should be the same width as the cooktop.
 - For 48" models, we recommend the vent hood blower be 1200 CFM.
 - For 36" models, we recommend the vent hood blower be 600 CFM.
- Refer to hood installation instructions for height dimensions.
- Working areas adjacent to the cooktop should have 18" minimum clearance between countertop and cabinet bottom.

- Clearance between cooktop and side wall or combustible material must be at least 12" on each side.
- These cooktops require 8" free space below the countertop.
- If the cooktop is installed in an island:
 - Allow 12" min. clearance at the back to combustible materials.
 - Allow 36" min. above the cooking surface to combustible materials.
- Installation must conform with local codes. In the absence of local codes, the gas cooktop must comply with the National Fuel Gas Code, ANSI Z223.1-1990.

A.G.A. approved.

Installation Preparation

Professional Gas Cooktops

Tools & Materials Required:

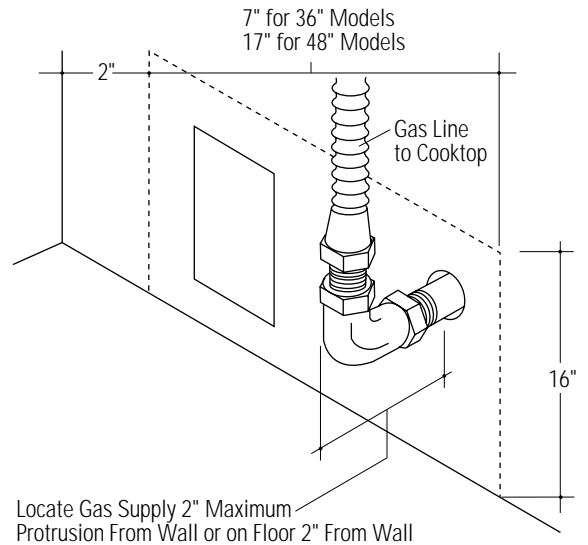
- Saw
- Measuring tape
- Carpenter's square
- Pipe and fittings as required.
- Manual gas line shut-off valve.
- Gas pressure regulator (supplied)
- Large flat-blade screwdriver
- Pipe wrench

- Gas-resistant pipe joint sealant
 - 5 foot, 5/8" AGA-certified flexible metal gas supply line. (Length must comply with local codes.)
 - If required by local codes, use solid pipe fittings.
- Note: Purchase new flexible line. DO NOT USE OLD, PREVIOUSLY USED FLEXIBLE LINE.

Power Supply Locations

Gas Supply:

- The natural gas models are designed to operate at 6" to 14" water column pressure.
- The liquid propane models are designed to operate at 11" to 14" water column pressure. A regulator is required at the L.P. source to provide a maximum of 14" water pressure to the range regulator.
- These gas cooktops are supplied with 1/2" NPT female gas connection located at the left rear corner.
- A minimum 5/8" dia. metal flexible line is required.
 - Use 5-foot long 5/8" flexible metal tubing. (Length must comply with local codes.)
- For rigid connection, locate the pipe stub within area shown.
- Install a manual shut-off valve in the gas line, in an easily accessible location.



Electric Supply:

These cooktops must be supplied with 120 volt, 60 Hz., and connected to a individual, properly grounded branch circuit protected by a 15 amp circuit breaker or time delay fuse.

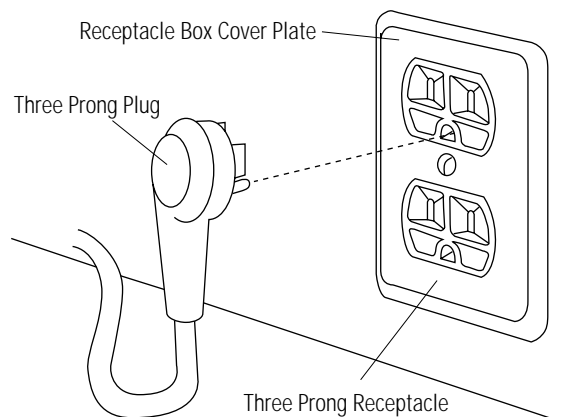
The power cord of this appliance is equipped with a three-prong (grounding) plug which mates with a standard three-prong grounding wall receptacle to minimize the possibility of shock hazard from this appliance.

If the electrical service provided does not meet the above specifications, it is recommended that a licensed electrician install an approved outlet.

DO NOT UNDER ANY CIRCUMSTANCES, CUT OR REMOVE THE THIRD (GROUND) PRONG FROM THE POWER CORD.

DO NOT USE AN EXTENSION CORD WITH THIS APPLIANCE.

- Locate the electric supply within the area shown or within reach of the cooktop's six foot power cord.
- To avoid tangling cord with items stored in the cabinet, locate the receptacle on rear wall, inside the cabinet.



Installation

Professional Gas Cooktops

Step 1 Remove Packaging

Use a hand-truck to move this cooktop.

Before moving the cooktop indoors:

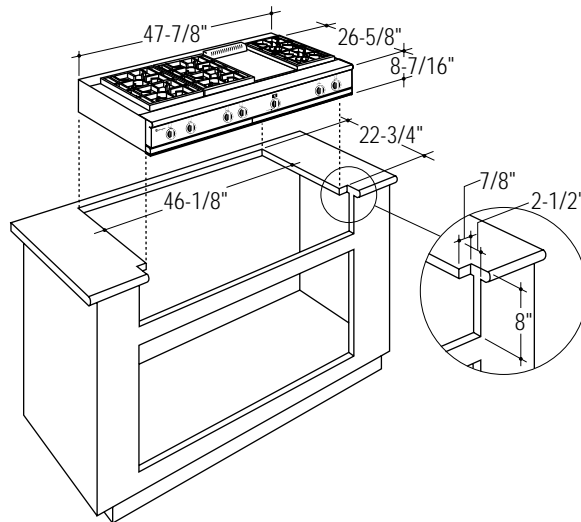
- Remove outer carton and packing.
- Remove the straps holding the cooktop to the skid.
- Remove the grates and drawers below the knobs.
- Remove grill and/or griddle covers. **DO NOT ATTEMPT TO REMOVE A GRILL OR GRIDDLE ASSEMBLY.**

- Flatten the carton and use a piece as a pad on the bottom and back of the hand-truck. Lift the cooktop onto the hand-truck standing on its end, with the bottom of the cooktop resting against the back of the hand-truck.

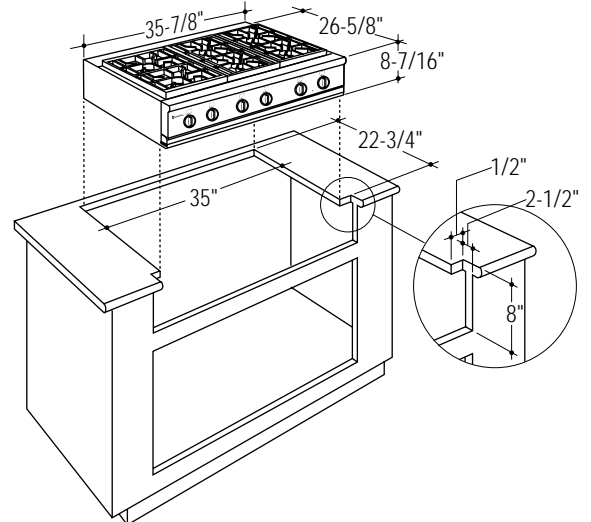
Move the cooktop indoors:

If door and passageways into the installation location are less than 30" wide, remove the cooktop knobs.

Step 2 Cut the Countertop Opening



48" wide models are designed to fit in 48" or wider base cabinets



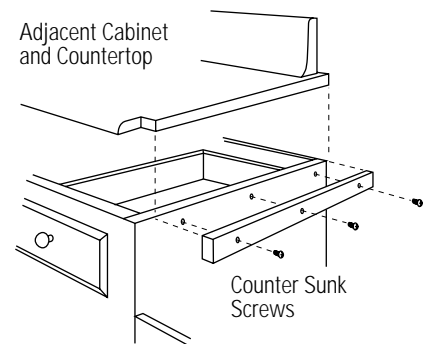
36" wide models are designed to fit in 36" or wider base cabinets

Measure carefully when cutting the countertop. Make sure sides of the opening are parallel.

- These cooktops requires 8" free space below the countertop.
- These Cooktops are designed to hang from the countertop from its rear and side flanges.
- Smooth any rough edges on the countertop before installing the cooktop.
–Formica countertop edges must be finished.

The countertop must be strong enough to support the weight of the cooktop.

- Support cleats can be secured to cabinet sides. OR
- Build a support deck or box inside the cabinet which will support the weight of the cooktop.
–Build the support box using a solid material, cut a 5" x 5" square in the left rear corner for the gas inlet and power cord clearances.



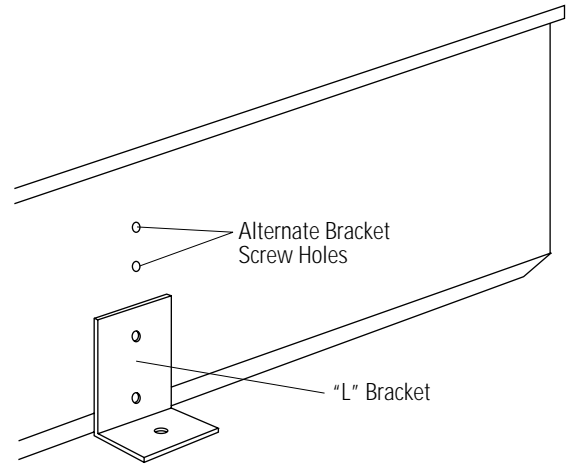
Installation

Professional Gas Cooktops

Step 3

Install the Cooktop

- Lower the cooktop into the opening. Make sure the cooktop is evenly seated and supported. A side frame gasket will seal the cooktop to the countertop.
- “L” brackets with screws are provided to secure the cooktop to the countertop or to adjacent cabinetry.
 - Alternate screw hole locations on the sides of the cooktop allow for varying thicknesses of countertops or side cleats.
- Select the bracket location, secure the bracket to the cooktop with 2 screws.
- Drive one screw through the bottom of the “L” bracket and into countertop or side cleats.



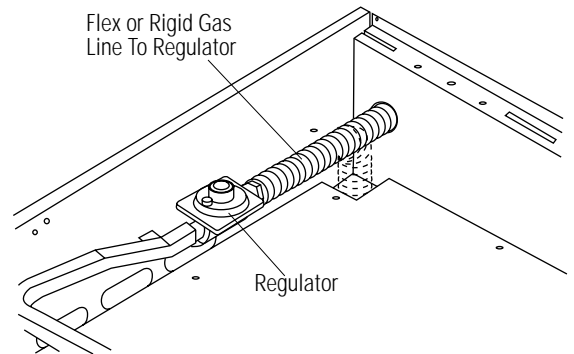
Step 4

Connect Cooktop to Gas

A manual shut-off valve must be installed where it will be accessible.

Assure that gas is turned off at the shut-off valve.

- Lift and remove all open top burners to reveal the gas inlet location at the left rear corner.
- Pull the flexible metal gas line through the back or bottom of the cooktop until it meets the regular.
- Connect flexible metal connector to incoming gas line pipe stub.
- Turn on gas and check for leaks:
 - Use a liquid leak detector at all joints and connections in the system.

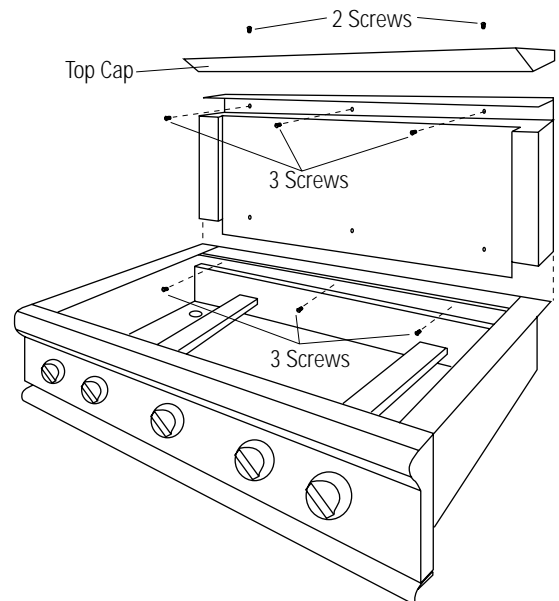


Step 5

Install the Cooktop Backguard

A backguard is required for all installations.

- Remove the top cap of the backguard by backing out 2 countersunk screws. Lift off the top cap and set aside. Retain screws.
- Insert the backguard into the channel on the back of the cooktop.
- Fasten with screws at the bottom, through the cooktop and into the backguard.
(If a griddle is present, secure with 2 screws on the left and center of the cooktop.)
- Secure the backguard to the wall with 3 screws at the top of the backguard.
- Place the top cap in position and re-install 2 countersunk screws. (12" backguard shown.)



Step **6**
*Connect
Electrical*

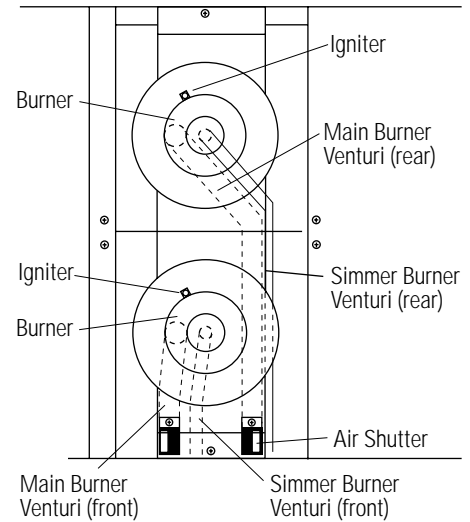
Plug power cord into properly grounded receptacle.

Step **7**
*Assemble
Burners,
Check
Ignition*

- Replace the burner bowls and burner caps.
- Adjustments should not be required, unless vibration during transit or variations in local gas supply make minor adjustments necessary.

CAUTION: Burner adjustments must be made by a qualified technician at the time of installation. Extreme care should be used if adjustments are made after installation.

- Burner flames should be blue and stable with no yellow or yellow tips, excessive noise or lifting of the flame from the burner. If any of these conditions exist, check that the air shutter or burner ports are not blocked. If one of these conditions continues, adjust the air shutter as required.
 - If the flame is too yellow, there is insufficient air flow, adjust the shutter counterclockwise to increase air inlet.
 - If the flame is noisy or tends to lift away from the burner, there is too much air. Turn the shutter clockwise to reduce air.



Installation

Professional Gas Cooktops

Step 7

**Assemble
Burners,
Check
Ignition**
(continued)

Adjustable low setting

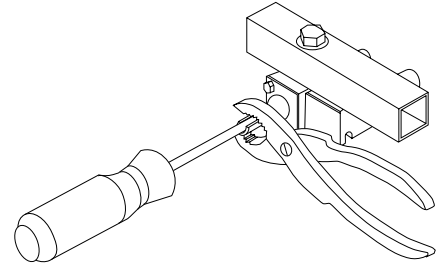
The open top burners and grill valves have an adjustable low setting. Each valve is individually tested and adjusted before it is shipped. Minor adjustments may be required due to fluctuations in local gas pressure. Adjustments to increase or decrease gas flow may be necessary.

- Turn knob counter-clockwise to the LITE position.
- Once lit, turn the knob back to the "LOW" position.
- Remove the knob.
- Insert a thin-blade flat screwdriver into the valve shaft. (3/32" blade width recommended.)

- Grip the shaft with pliers and turn counter-clockwise to lower the flame, or clockwise to increase the flame.

CAUTION: Do not turn the flame so low that it goes out, causing the igniter to spark.

- When the desired setting is made, replace the knob and turn burner off.



Finalize Installation

Place the burner grates into operating position. Press corner of the grate to the cooktop. The grates should be seated and should not rock.

The grill and griddle are secured with screws at the front. They are designed to be stationary and should not to be removed.

The griddle has two leveling screws beneath the rear flue cover which can be used to adjust to the desired slope. The center screw is for shipping purposes only and should be removed.

Notes

Professional Gas Cooktops

Note: While performing installations described in this book, safety glasses or goggles should be worn.

For Monogram® local service in your area, call 1-800-444-1845.

Note: Product improvement is a continuing endeavor at General Electric. Therefore, materials, appearance and specifications are subject to change without notice.



Monogram.®
We bring good things to life.

GE Consumer Products
General Electric Company
Louisville, KY 40225
© 2003 General Electric Company

Pub. No. 49-8812-6
Dwg. No. 164D3333P056

(N.D. 760) 4/03

10659 - Rev. 6