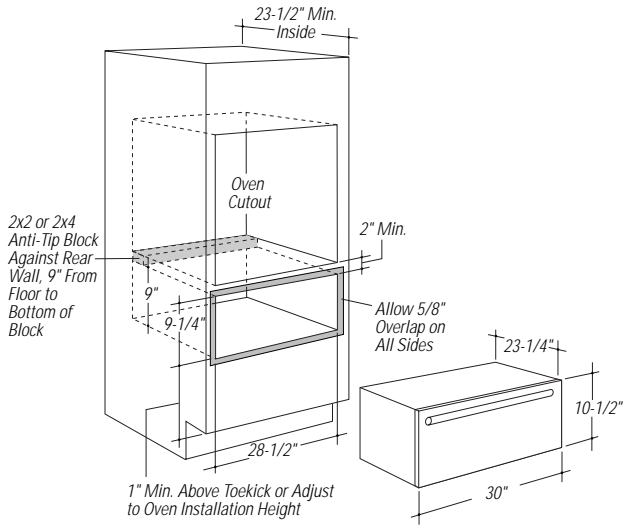




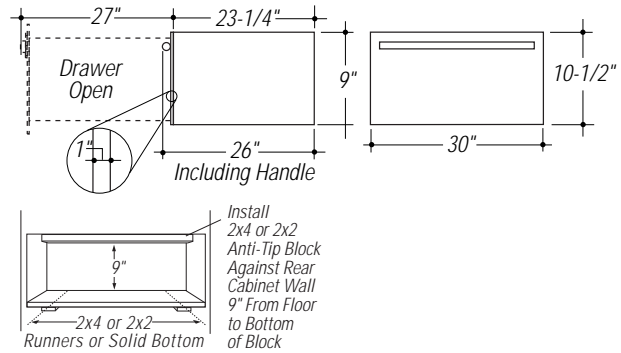
Monogram™

ZTD910WBWW - GE Monogram 30" Warming Drawer

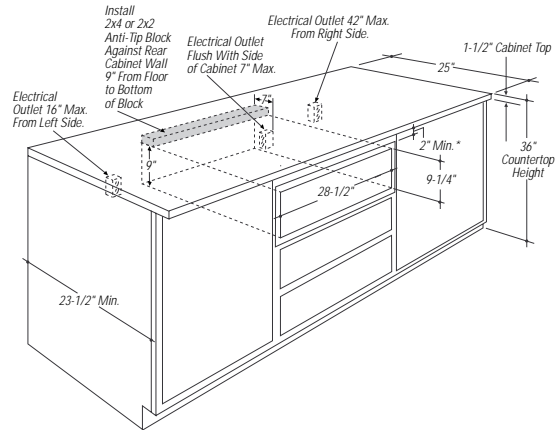
Single Oven Installation (in inches)



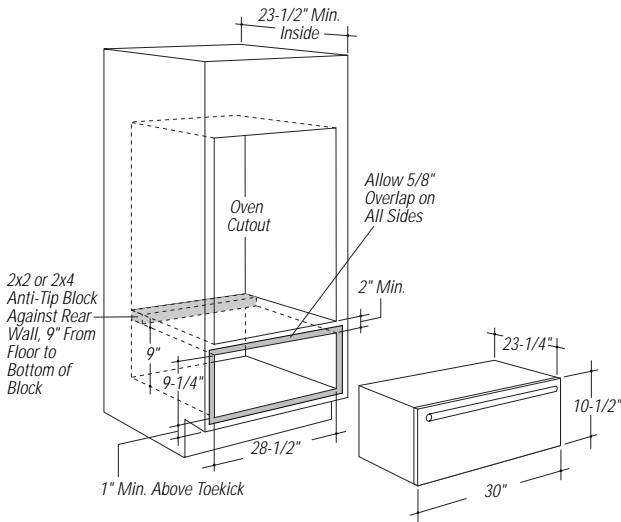
Warming Drawer Dimensions (in inches)



Undercounter Installation (in inches)



Double Oven Installation (in inches)



Note: When installing warming drawer with a cooktop, allow a 2" minimum from cooktop burner box bottom to top of cut-out.

Important Installation Note:

Must provide anti-tip brace at the back of the cabinet and at the top of the cutout.

Optional Accessories:

JXPN1—Optional Pan Set Accessory for Warming Drawer.

Five commercial pans with lids (4" deep)

- One large pan (14 quarts)
- Two medium pans (6 quarts each)
- Two small pans (3 quarts each)

ZXD30B—1/4" wood panel trim kit

Note: Additional clearance between cutouts may be required. Check to be sure that oven supports above the Warming Drawer location do not obstruct the required interior 23-1/2" depth and 9-1/4" height.

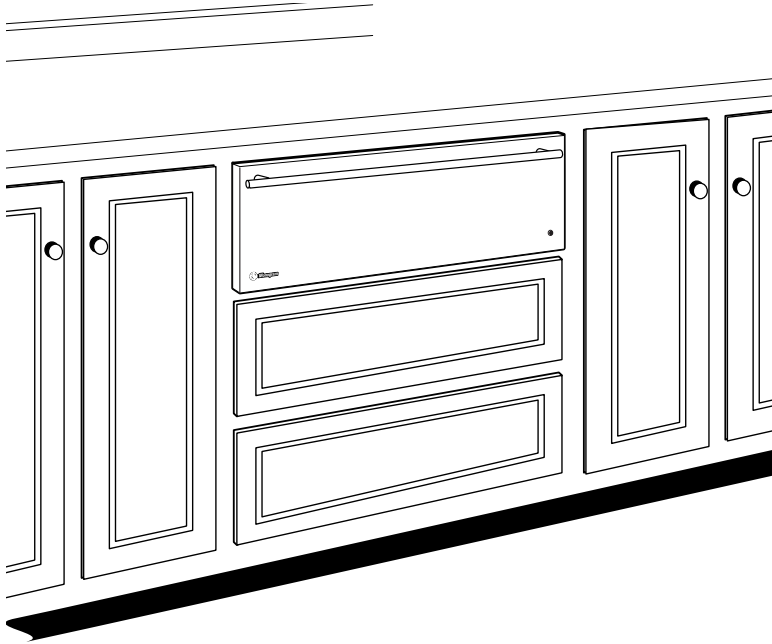
For answers to your Monogram®, GE Profile Performance Series™, GE Profile™ or GE appliance questions, call GE Answer Center® service, 800.626.2000.





Monogram™

ZTD910WBWW - GE Monogram 30" Warming Drawer



Features and Benefits

- *1.92 cu. ft Capacity*
- *Variable Temperature Control - Proof(80) / Low(140) / Med(170) / High(210)*
- *Variable Humidity Control - Crisp to Moist*
- *Half Rack*
- *"On" Signal Light*
- *On/Off Rocker Switch*
- *Removable Stainless Steel Pan*
- *Full Extension Ball Bearing Glides*
- *Hidden Controls Provide Flush Installation Appearance*
- *Variable Installation Options*
- *Model ZTD910WBWW - White on white*
- *Model ZTD910BBBB - Black on black*
- *Model ZTD910SBSS - Stainless steel*