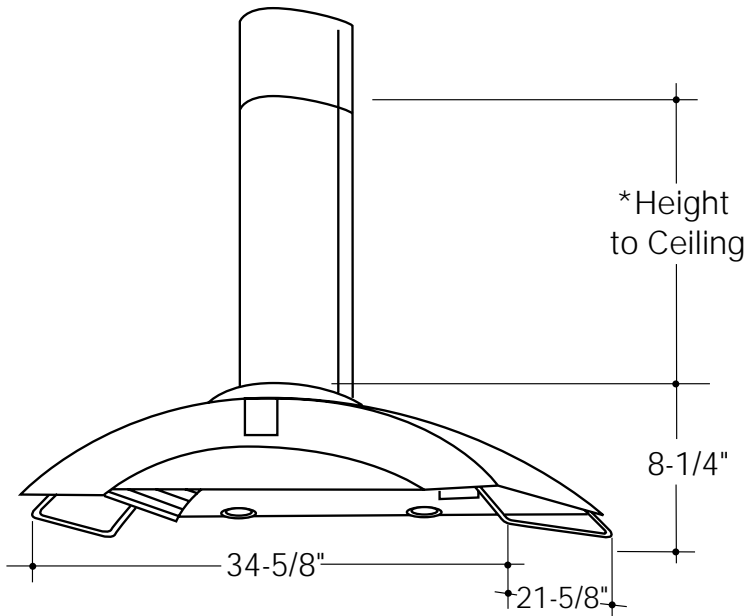




Monogram™

ZV750SY—36" Vent Hood

Dimensions and Specifications (in inches)



*26-1/4" for 8 ft. ceiling
38-1/4" for 9 ft. ceiling

38-1/4" to 50-1/4" for 9 ft. to
10 ft. ceiling using optional
accessory ZX10SY Duct Cover

This vent hood is designed to be used in vented installations and must use a 6" round duct.

A decorative duct cover is provided to cover the duct from the top of the hood to an 8 ft. or 9 ft. ceiling.

Accessories:

An optional stainless steel duct cover is available for 9 ft. to 10 ft. ceiling installations. (The supplied duct cover is sized to reach 8 ft. to 9 ft. ceilings.) Order the optional duct cover at the same time as the vent hood and have on site before installation.

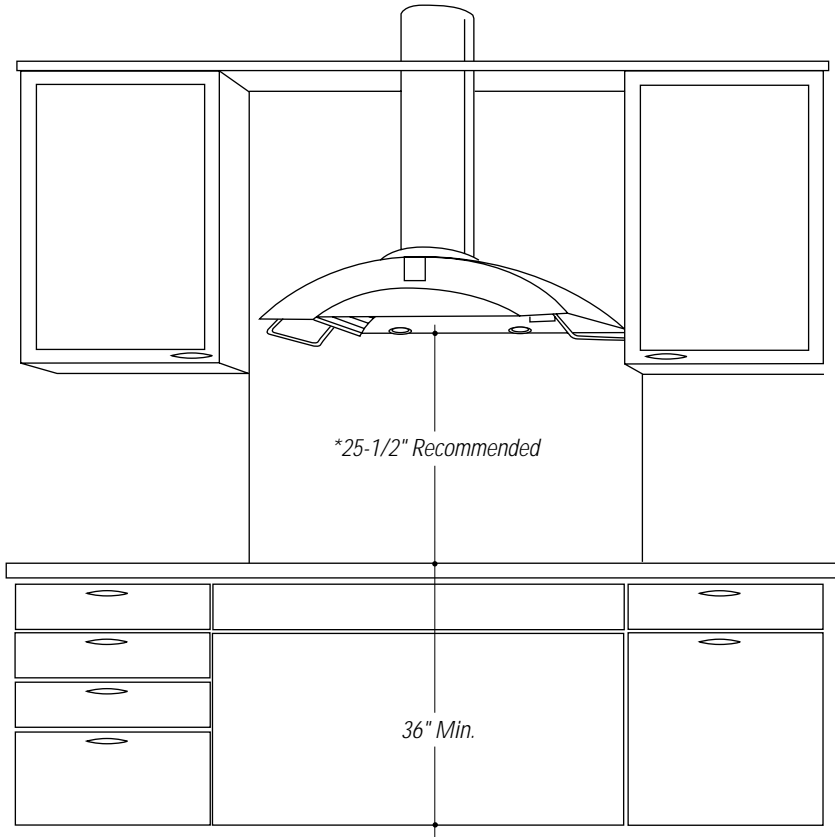
For answers to your Monogram®,
GE Profile Performance Series™,
GE Profile™ or GE appliance questions, call
GE Answer Center® service, 800.626.2000.





Monogram™

ZV750SY—36" Vent Hood



Dimensions and Clearances:

The vent hood should be installed 25-1/2" above the cooking surface. The cooking surface should be at least 36" above the floor. Installation will be easier if the vent hood is installed before the range or cooktop/countertop is installed.

Installation Information: Before installing, consult installation instructions (Pub. No. 49-8775) packed with product for current dimensional data.

**The vent hood must be installed 24" min. and 30" max. above the cooking surface. 25-1/2" is recommended to insure that the duct cover meets the ceiling.*

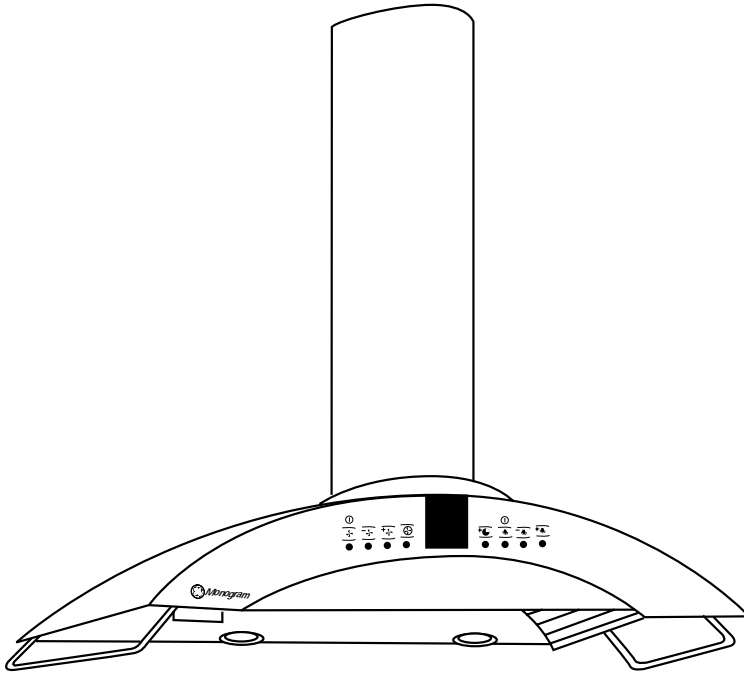
For answers to your Monogram®
GE Profile Performance Series™
GE Profile™ or GE appliance questions, call
GE Answer Center® service, 800.626.2000.





Monogram™

ZV750SY—36" Vent Hood



Features and Benefits

- *Stainless Steel Model*
- *36" Width*
- *360 CFM Vertical Exhaust Blower Rating*
- *Electronic Touchpad Controls*
- *4 Halogen Lamps*
- *3 Removable Filters with Filter Cleaning Reminder*
- *6" Round Duct*
- *Model ZV750SY—Stainless Steel*