



Bottom Freezer Refrigerators

Safety Instructions2, 3

Operating Instructions

Automatic Icemaker10
Care and Cleaning11, 12
Controls4
Crispers and Pans7
Freezer8, 9
Replacing the Light Bulbs13
Shelves and Bins6
Water Filter5

Installation Instructions

Installing the Refrigerator15-19
Installing the Water Line28-30
Preparing to Install
the Refrigerator14
Removing and Replacing
the Doors (Double Door
Refrigerator Models only)25-27
Removing and Replacing the
Freezer Drawer20, 21
Reversing the Door Swing
(Single Door Refrigerator
Models only)22-25

Troubleshooting Tips31-34
Normal Operating Sounds31

Consumer Support

Consumer SupportBack Cover
Performance Data Sheet41
Product Registration
for Canadian Customers37, 38
Product Registration
for U.S. Customers35, 36
State of California Water
Treatment Device Certificate42
Warranty for Canadian
Customers40
Warranty for U.S. Customers39

Write the model and serial numbers here:

Model # _____

Serial # _____

Find these numbers on a label on the right side, near the top of the refrigerator compartment.

Owner's Manual and Installation Instructions

Models 20, 22 and 23

Congélateur inférieur

Réfrigérateurs

Manuel d'utilisation et d'installation

La section française commence à la page 43

Congelador inferior

Refrigeradores

Manual del propietario e instalación

La sección en español empieza en la página 81

IMPORTANT SAFETY INFORMATION. READ ALL INSTRUCTIONS BEFORE USING.

⚠ WARNING!

Use this appliance only for its intended purpose as described in this Owner's Manual.



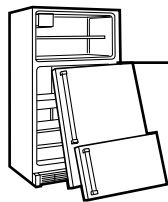
SAFETY PRECAUTIONS

When using electrical appliances, basic safety precautions should be followed, including the following:

- This refrigerator must be properly installed and located in accordance with the Installation Instructions before it is used.
 - Do not allow children to climb, stand or hang on the shelves in the refrigerator. They could damage the refrigerator and seriously injure themselves.
 - Do not touch the cold surfaces in the freezer compartment when hands are damp or wet. Skin may stick to these extremely cold surfaces.
 - Do not store or use gasoline or other flammable vapors and liquids in the vicinity of this or any other appliance.
 - Keep fingers out of the "pinch point" areas; clearances between the doors and between the doors and cabinet are necessarily small. Be careful closing doors when children are in the area.
 - In refrigerators with automatic icemakers, avoid contact with the moving parts of the ejector mechanism, or with the heating element that releases the cubes. Do not place fingers or hands on the automatic icemaking mechanism while the refrigerator is plugged in.
 - Unplug the refrigerator before cleaning and making repairs.
- NOTE:** We strongly recommend that any servicing be performed by a qualified individual.
- Setting either or both controls to the **Off** position does not remove power to the light circuit.
 - Do not refreeze frozen foods which have thawed completely.

⚠ DANGER! RISK OF CHILD ENTRAPMENT

PROPER DISPOSAL OF THE REFRIGERATOR



Child entrapment and suffocation are not problems of the past. Junked or abandoned refrigerators are still dangerous...even if they will sit for "just a few days." If you are getting rid of your old refrigerator, please follow the instructions below to help prevent accidents.

Before You Throw Away Your Old Refrigerator or Freezer:

- Take off the doors.
- Leave the shelves in place so that children may not easily climb inside.

Refrigerants

All refrigeration products contain refrigerants, which under federal law must be removed prior to product disposal. If you are getting rid of an old refrigeration product, check with the company handling the disposal about what to do.

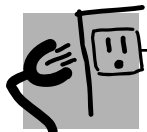


USE OF EXTENSION CORDS

Because of potential safety hazards under certain conditions, we strongly recommend against the use of an extension cord.

However, if you must use an extension cord, it is absolutely necessary that it be a UL-listed (in the United States) or a CSA certified (in Canada), 3-wire grounding type appliance extension cord having a grounding type plug and outlet and that the electrical rating of the cord be 15 amperes (minimum) and 120 volts.

⚠ WARNING!



HOW TO CONNECT ELECTRICITY

Do not, under any circumstances, cut or remove the third (ground) prong from the power cord. For personal safety, this appliance must be properly grounded.

The power cord of this appliance is equipped with a 3-prong (grounding) plug which mates with a standard 3-prong (grounding) wall outlet to minimize the possibility of electric shock hazard from this appliance.

Have the wall outlet and circuit checked by a qualified electrician to make sure the outlet is properly grounded.

Where a standard 2-prong wall outlet is encountered, it is your personal responsibility and obligation to have it replaced with a properly grounded 3-prong wall outlet.

The refrigerator should always be plugged into its own individual electrical outlet which has a voltage rating that matches the rating plate.

This provides the best performance and also prevents overloading house wiring circuits which could cause a fire hazard from overheated wires.

Never unplug your refrigerator by pulling on the power cord. Always grip plug firmly and pull straight out from the outlet.

Repair or replace immediately all power cords that have become frayed or otherwise damaged. Do not use a cord that shows cracks or abrasion damage along its length or at either end.

When moving the refrigerator away from the wall, be careful not to roll over or damage the power cord.



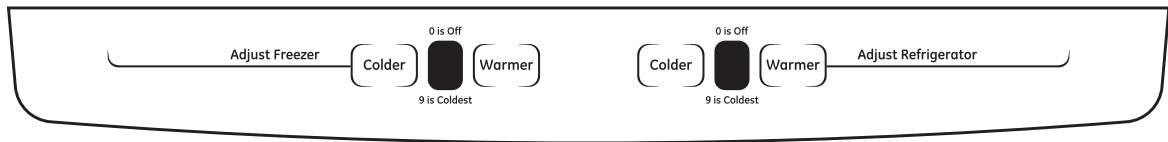
USE OF ADAPTER PLUGS

Adapter plugs are not permitted in Canada.



**READ AND FOLLOW THIS SAFETY INFORMATION CAREFULLY.
SAVE THESE INSTRUCTIONS**

About the controls with temperature settings.



(on some models)

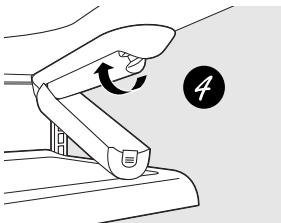
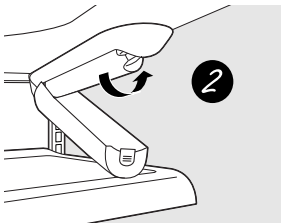
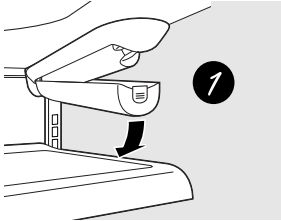
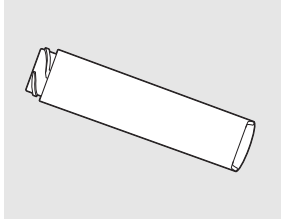


(on some models)

NOTE: The refrigerator is shipped with protective film covering the digital temperature controls. If this film was not removed during installation, remove it now.

Initially, set the refrigerator control at **5** and the freezer control at **5**. Allow 24 hours for the temperature to stabilize. Several adjustments may be required. Adjust the controls one increment at a time, and allow 24 hours after each adjustment for the refrigerator to reach the temperature you have set.

Setting either or both controls to **0** for digital and **0** for the refrigerator control knob stops cooling in both the refrigerator and freezer compartments, but does not shut off electrical power to the refrigerator.



Water Filter Cartridge

The water filter cartridge is located in the back upper right corner of the refrigerator compartment.

When to Replace the Filter

The filter cartridge should be replaced when the flow of water to the icemaker decreases, or every six months.

Installing the Filter Cartridge

- 1 If you are replacing the cartridge, first remove the old one. Open the cartridge cover by pressing in on the tab at the front and pulling down.
- 2 Remove the cartridge by slowly rotating it counterclockwise. A small amount of water may drip down.

⚠ CAUTION: *If air has been trapped in the system, the filter cartridge may be ejected as it is removed. Use caution when removing.*

- 3 Remove the protective foil from the end of the cartridge.
- 4 Lining up the arrow on the cartridge and the cartridge holder, slowly rotate the cartridge clockwise until it stops. When the cartridge is properly installed, you will feel it “click” as it locks into place. The grip on the end of the cartridge should be positioned vertically.
Do not overtighten.
- 5 Close the cartridge cover.

Filter Bypass Plug

You must use the filter bypass plug when a replacement filter cartridge is not available. The icemaker will not operate without the filter or filter bypass plug.

Replacement Filters:

To order additional filter cartridges in the United States, visit our Website, ge.com, or call GE Parts and Accessories, 800.626.2002.

Filter Model GSWF

Customers in Canada should consult the yellow pages for the nearest Mabe Service Center.

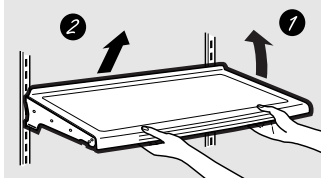
About the shelves and bins.

Not all features are on all models.

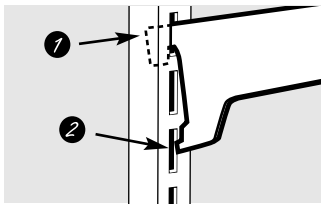
Rearranging the Shelves

Shelves in the refrigerator compartment are adjustable.

Refrigerator Compartment



Some models have wire shelves that can be adjusted in the same manner.

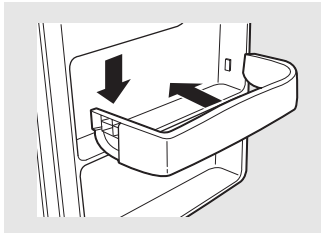


To remove:

- 1 Remove all items from the shelf.
- 2 Tilt the shelf up at the front.
- 3 Lift the shelf up at the back and bring the shelf out.

To replace:

- 1 While tilting the shelf up, insert the top hook at the back of the shelf in a slot on the track.
- 2 Lower the front of the shelf until the bottom of the shelf locks into place.



Non-Adjustable Shelves on the Door *(on some models)*

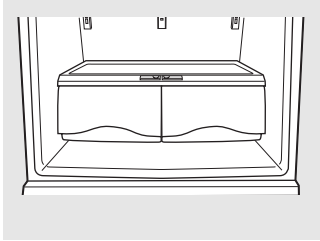
To remove: Lift the shelf straight up; then pull out.

To replace: Engage the shelf in the molded supports on the door and push down. It will lock in place.

About the crispers and pans.

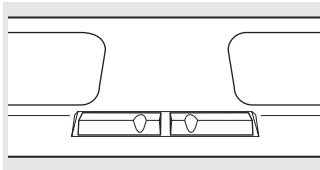
ge.com

Not all features are on all models.



Fruit and Vegetable Crisper

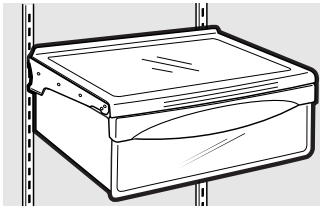
Excess water that may accumulate in the bottom of the drawers or under the drawers should be wiped dry.



Adjustable Humidity Crisper (on some models)

Slide the control all the way to the **HIGH** setting to provide high humidity recommended for most vegetables.

Slide the control all the way to the **LOW** setting to provide lower humidity levels recommended for most fruits.



Snack Pan (on some models)

This pan can be moved to the most useful location for your family's needs.

To remove, slide the pan out to the **stop** position, lift the pan up and past the **stop** position and lift it out.

Safety Instructions

Operating Instructions

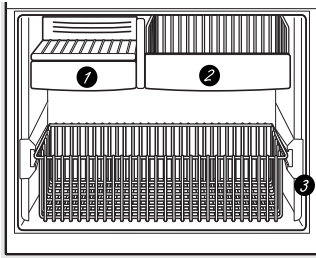
Installation Instructions

Troubleshooting Tips

Consumer Support

About the freezer drawer. (on some models)

Not all features are on all models.

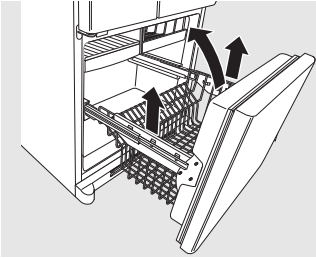


Appearance and features may vary

Freezer Shelves and Baskets

- ① A shelf above the ice storage bin
- ② A half-width basket
- ③ A deep full-width basket

NOTE: Do not fill baskets higher than the rim of the basket. This may cause baskets to stick or jam when opening or closing.



Appearance may vary

Basket Removal

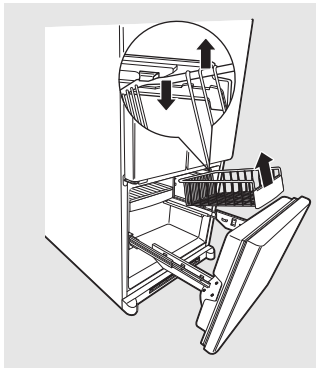
To remove the deep full-width basket on freezer drawer models:

- ① Open the freezer drawer until it stops.
- ② The freezer basket rests on the inside tabs on the drawer slides.
- ③ Lift the basket so that it is out of all 6 slide bracket tabs.
- ④ Tilt the basket and lift out of the drawer.

When replacing the deep full-width basket:

Tilt the basket back and lower it down into the drawer. Rotate the basket to a horizontal position and press it down into the 6 alignment tabs.

NOTE: Always be sure that the basket is seated in all 6 slide bracket tabs before sliding back into the freezer. The basket can be turned in either direction front to back and installed into the freezer.



Appearance may vary

To remove the half-width basket:

- ① Pull the basket out to the stop location.
- ② Lift the basket up at the front to release it from the stop hooks on each side.
- ③ Lift the basket out to remove it from the sides.

When replacing the basket, make sure that the basket goes under the stop hooks on each side.

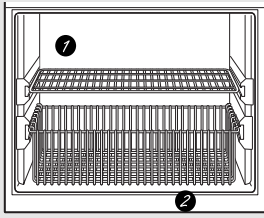
NOTE: Always be sure to fully close this basket.

About the freezer compartment. (on some models)

ge.com

Not all features are on all models.

Freezer Shelf and Basket



- ① A full-width fixed wire shelf
- ② A full-width sliding wire basket

NOTE: Do not fill basket higher than the rim of the basket. This may cause basket to stick or jam when opening or closing.

Basket Removal

To remove the full-width sliding wire basket on door models:

- ① Open the basket out to its full extension.
- ② Lift up the front of the basket and pull straight out to remove.

When replacing the full-width sliding wire basket:

Insert the wire basket into the **lower** liner's rails and push back into place.

Fixed Shelf Removal

NOTE: The full-width wire shelf is not intended to slide.

To remove for cleaning:

Hold the shelf at the front and pull it firmly forward.

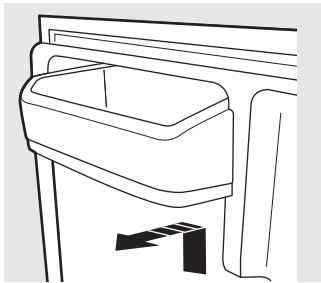
When replacing the full-width sliding wire shelf:

Insert the wire shelf into the **upper** liner's rails and push back into place.

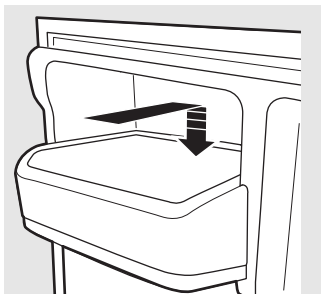
Non-Adjustable Shelf on Freezer Door

To remove: Lift the shelf straight up; then pull out.

To replace: Engage the shelf in the molded supports on the door and push down. It will lock in place.



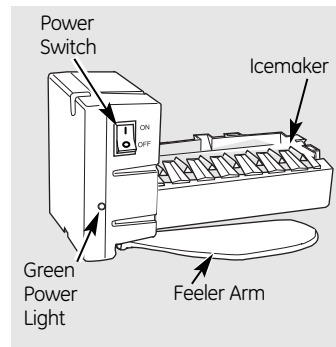
To remove



To replace

About the automatic icemaker. (on some models)

A newly installed refrigerator may take 12 to 24 hours to begin making ice.



Automatic Icemaker

The icemaker will produce seven cubes per cycle—approximately 100–130 cubes in a 24-hour period, depending on freezer compartment temperature, room temperature, number of door openings and other use conditions.

See below for how to access ice and reach the power switch.

If the refrigerator is operated before the water connection is made to the icemaker, set the power switch in the **O (off)** position.

When the refrigerator has been connected to the water supply, set the power switch to the **I (on)** position. The icemaker power light will turn green when the freezer light switch is pressed in or when the freezer door is closed.

The icemaker will fill with water when it cools to 15°F (–10°C). A newly installed refrigerator may take 12 to 24 hours to begin making ice cubes.

You will hear a buzzing sound each time the icemaker fills with water.

Throw away the first few batches of ice to allow the water line to clear.

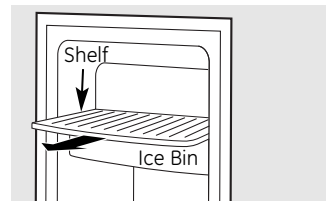
Be sure nothing interferes with the sweep of the feeler arm.

When the bin fills to the level of the feeler arm, the icemaker will stop producing ice. It is normal for several cubes to be joined together.

If ice is not used frequently, old ice cubes will become cloudy, taste stale and shrink.

NOTE: In homes with lower-than-average water pressure, you may hear the icemaker cycle multiple times when making one batch of ice.

NOTE: Set the power switch to the **O (off)** position if the water supply is shut off.

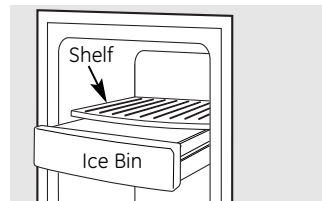


To reach the power switch.

Accessing Ice and Reaching the Power Switch

To reach the icemaker power switch, pull the shelf above the ice bin straight out. Always be sure to replace the shelf.

To access ice, simply pull the bin forward.



To access ice.

Icemaker Accessory Kit

If your refrigerator did not come already equipped with an automatic icemaker, an icemaker accessory kit is available at extra cost.

Check the back of the refrigerator for the specific icemaker kit needed for your model.

Cleaning the Outside

The door handles and trim. Clean with a cloth dampened with soapy water. Dry with a soft cloth. Do not use wax on the door handles and trim.

Keep the outside clean. Wipe with a clean cloth lightly dampened with kitchen appliance wax or mild liquid dish detergent. Dry and polish with a clean, soft cloth.

Do not wipe the refrigerator with a soiled dish cloth or wet towel. These may leave a residue that can erode the paint. Do not use scouring pads, powdered cleaners, bleach or cleaners containing bleach because these products can scratch and weaken the paint finish.

The stainless steel panels and door handles. Stainless steel (on some models) can be cleaned with a commercially available stainless steel cleaner. A spray-on stainless steel cleaner works best.

Do not use appliance wax or polish on the stainless steel.

Cleaning the Inside

To help prevent odors, leave an open box of baking soda in the refrigerator and freezer compartments.

Unplug the refrigerator before cleaning. If this is not practical, wring excess moisture out of sponge or cloth when cleaning around switches, lights or controls.

Use an appliance wax polish on the inside surface between the doors.

Use warm water and baking soda solution—about a tablespoon (15 ml) of baking soda to a quart (1 liter) of water. This both cleans and neutralizes odors. Rinse and wipe dry.

After cleaning the door gaskets, apply a thin layer of petroleum jelly to the door gaskets at the hinge side. This helps keep the gaskets from sticking and bending out of shape.

Avoid cleaning cold glass shelves with hot water because the extreme temperature difference may cause them to break. Handle glass shelves carefully. Bumping tempered glass can cause it to shatter.

Do not wash any plastic refrigerator parts in the dishwasher.

Care and cleaning of the refrigerator.

Behind the Refrigerator

Be careful when moving the refrigerator away from the wall. All types of floor coverings can be damaged, particularly cushioned coverings and those with embossed surfaces.

Raise the leveling legs located at the bottom front of the refrigerator.

Pull the refrigerator straight out and return it to position by pushing it straight in. Moving

the refrigerator in a side direction may result in damage to the floor covering or refrigerator.

Lower the leveling legs until they touch the floor.

When pushing the refrigerator back, make sure you don't roll over the power cord or icemaker supply line (on some models).

Preparing for Vacation

For long vacations or absences, remove food and unplug the refrigerator. Clean the interior with a baking soda solution of one tablespoon (15 ml) of baking soda to one quart (1 liter) of water. Leave the doors open.

Set the icemaker power switch to the **O (off)** position and shut off the water supply to the refrigerator.

If the temperature can drop below freezing, have a qualified servicer drain the water supply system (on some models) to prevent serious property damage due to flooding.

Preparing to Move

Secure all loose items such as base grille, shelves and drawers by taping them securely in place to prevent damage.

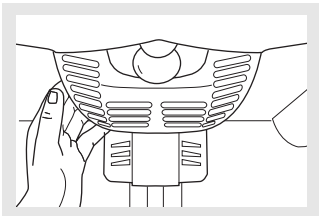
When using a hand truck to move the refrigerator, do not rest the front or back of the refrigerator against the hand truck. This could damage the refrigerator. Handle only from the sides of the refrigerator.

Be sure the refrigerator stays in an upright position during moving.

Replacing the light bulbs.

ge.com

Turning the control to the **Off** position does not remove power to the light circuit.



Refrigerator Lights

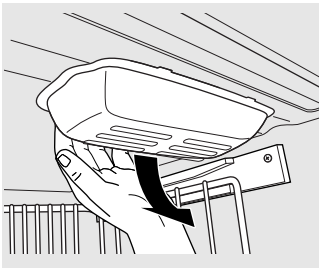
CAUTION: Light bulbs may be hot.

- 1 Unplug the refrigerator.
- 2 To remove the light shield, grasp the shield at the back and pull out to release the tabs at the back.
- 3 Rotate the shield down and then forward to release the tabs at the front of the shield.

4 After replacing with an appliance bulb of the same or lower wattage, replace the shield.

5 Plug the refrigerator back in.

NOTE: Appliance bulbs may be ordered from GE Parts and Accessories, 800.626.2002.



Appearance may vary

Freezer Light

CAUTION: Light bulbs may be hot.

- 1 Unplug the refrigerator.
- 2 The bulb is located at the top of the freezer inside a light shield. To remove the shield, grasp the shield at the back and pull out to release the tabs at the back.
- 3 Rotate the shield down and then forward to release the tabs at the front of the shield.

4 After replacing with an appliance bulb of the same or lower wattage, replace the shield.

5 Plug the refrigerator back in.

Safety Instructions

Operating Instructions

Installation Instructions

Troubleshooting Tips

Consumer Support

Installation Instructions

Refrigerator

Models 20 and 22

Questions? Call 800.GE.CARES (800.432.2737) or Visit our Website at: ge.com
In Canada, call 1.800.561.3344 or Visit our Website at: www.geappliances.ca

BEFORE YOU BEGIN

Read these instructions completely and carefully.

- **IMPORTANT** – Save these instructions for local inspector's use.
- **IMPORTANT** – Observe all governing codes and ordinances.
- **Note to Installer** – Be sure to leave these instructions with the Consumer.
- **Note to Consumer** – Keep these instructions for future reference.
- **Skill level** – Installation of this appliance requires basic mechanical skills.
- **Completion time** – Refrigerator Installation
20 minutes
Water Line Installation
30 minutes
- Proper installation is the responsibility of the installer.
- Product failure due to improper installation is not covered under the Warranty.

PREPARATION

MOVING THE REFRIGERATOR INDOORS

If the refrigerator will not fit through a doorway, the refrigerator door and freezer drawer can be removed.

- To remove the refrigerator door, see Step 1 in the *Reversing the Door Swing* section.
- To remove the freezer drawer, see the *Removing the Freezer Drawer* section.

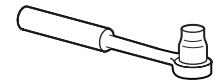
WATER SUPPLY TO THE ICEMAKER AND DISPENSER (ON SOME MODELS)

If the refrigerator has an icemaker, it will have to be connected to a cold water line. A GE water supply kit (containing tubing, shutoff valve, fittings and instructions) is available at extra cost from your dealer, by visiting our Website at ge.com (in Canada at www.geappliances.ca) or from Parts and Accessories, 800.626.2002 (In Canada 1.888.661.1616).

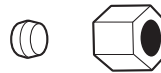
TOOLS YOU MAY NEED



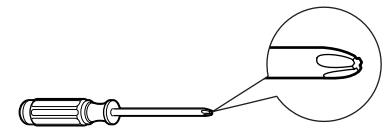
Adjustable Wrench



3/8" and 5/16" Socket Ratchet/Driver



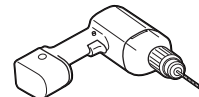
1/4" Outer Diameter Compression Nut and Ferrule (sleeve) (icemaker models only)



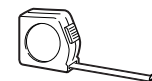
Phillips Head Screwdriver



3/32", 1/8" and 3/16" Allen wrenches



1/8" Drill Bit and Electric or Hand Drill



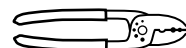
Tape measure



Pencil



1/4" Nut Driver



Wire Cutters



Level

Installation Instructions

INSTALLING THE REFRIGERATOR

REFRIGERATOR LOCATION

- Do not install the refrigerator where the temperature will go below 60°F (16°C) because it will not run often enough to maintain proper temperatures.
- Do not install the refrigerator where the temperature will go above 100°F (37°C) because it will not perform properly.
- Install it on a floor strong enough to support it fully loaded.

CLEARANCES

Allow the following clearances for ease of installation, proper air circulation and plumbing and electrical connections.

	Standard Depth Models
Sides	1/8" (3 mm)
Top	1" (25 mm)
Back	1" (25 mm)

REMOVE TOP CAP (on some models)

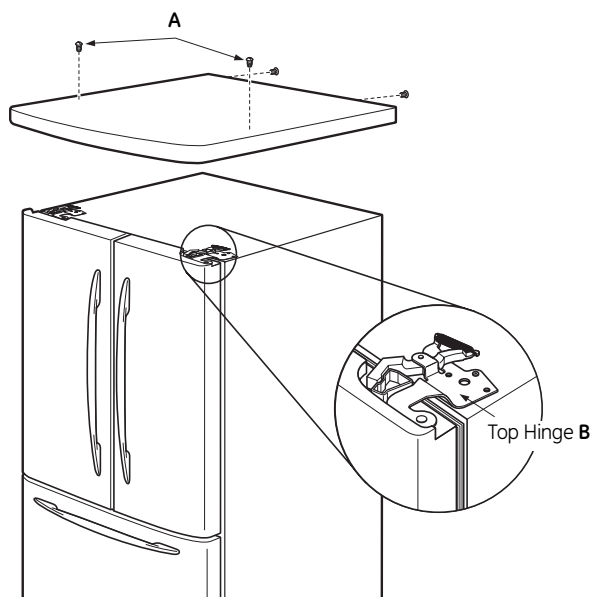
- **IMPORTANT NOTE:** This refrigerator is 34-1/2" deep. Doors and passageways leading to the installation location must be at least 36" wide in order to leave the doors and handles attached to the refrigerator while transporting it into the installation location. If passageways are less than 36", the refrigerator doors and handles can easily be scratched and damaged. The top cap and doors can be removed to allow the refrigerator to be safely moved indoors. Start with Step A.
- If it is not necessary to remove doors, skip Step A. Leave tape and all packaging on doors until the refrigerator is in the final location.
- **SKID REMOVAL:** Tilt refrigerator to each side to remove skid.
- **NOTE:** Use a padded hand truck to move this refrigerator. Place the refrigerator on the hand truck with a side against the truck. We strongly recommend that **TWO PEOPLE** move and complete this installation.

- Locate and remove the two Phillips head screws on the top of the refrigerator. Remove the two screws on each side at the rear of the top cap. Lift off and remove top cap.
- Remove the fresh-food door(s). Refer to Steps 1 and 3 of "Reversing the Door Swing" section or Steps 1 and 2 of "Removing the Doors" section.
- Remove the bottom freezer drawer or door. Refer to "Removing Freezer Drawer" section or Step 2 of "Reversing the Door Swing" section.
- Move refrigerator to the installation location.

REMOVE TOP CAP (cont.) (on some models)

REINSTALL DOORS, DRAWERS AND TOP CAP

- Carefully lower the door(s) onto the center hinge(s). Reinstall top hinge(s). **NOTE:** Ensure the door is properly aligned to the case top to avoid readjustment of the door during top cap reinstallation.
- Place cap over the top of the refrigerator. Reinstall the original screws in the top and back of the cap.
- Reinstall the bottom freezer drawer or door. Refer to "Replacing the Freezer Drawer" section or Step 8 of "Reversing the Door Swing" section.



1 CONNECTING THE REFRIGERATOR TO THE HOUSE WATER LINE (icemaker models)

A cold water supply is required for automatic icemaker operation. If there is not a cold water supply, you will need to provide one. See *Installing the Water Line* section.

NOTES:

- Before making the connection to the refrigerator, be sure the refrigerator power cord is not plugged into the wall outlet.
- If your refrigerator does not have a water filter, we recommend installing one if your water supply has sand or particles that could clog the screen of the refrigerator's water valve. Install it in the water line near the refrigerator. If using GE SmartConnect™ Refrigerator Tubing Kit, you will need an additional tube (WX08X10002) to connect the filter. Do not cut plastic tube to install filter.

Installation Instructions

INSTALLING THE REFRIGERATOR (cont.)

1 CONNECTING THE REFRIGERATOR TO THE HOUSE WATER LINE (cont.)

A If you are using copper tubing, place a compression nut and ferrule (sleeve) onto the end of the tubing coming from the house cold water supply.

If you are using the GE SmartConnect™ tubing, the nuts are already assembled to the tubing.

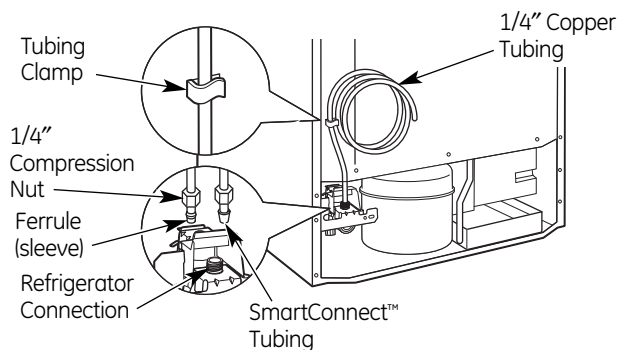
B If you are using copper tubing, insert the end of the tubing into the refrigerator connection, at the back of the refrigerator, as far as possible. While holding the tubing, tighten the fitting.

If you are using GE SmartConnect™ tubing, insert the molded end of the tubing into the refrigerator connection, at the back of the refrigerator, and tighten the compression nut until it is hand tight. Then tighten one additional turn with a wrench. Overtightening may cause leaks.

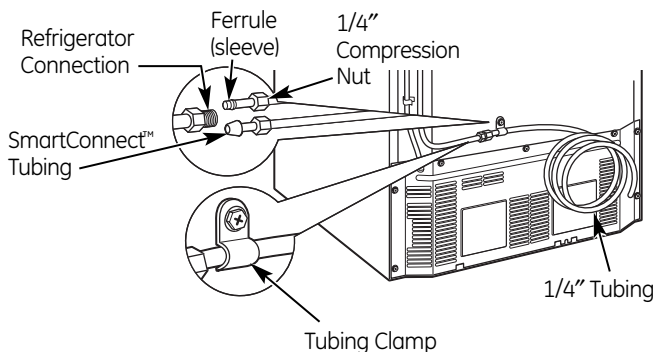
C Fasten the tubing into the clamp provided to hold it in position. You may need to pry open the clamp.

One of the illustrations below will look like the connection on your refrigerator.

Icemaker-Ready models

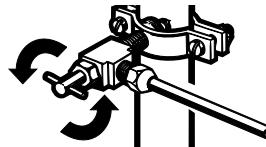


Icemaker-Installed Models



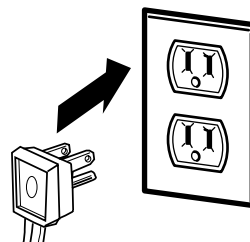
2 TURN ON THE WATER SUPPLY (icemaker models)

Turn the water on at the shutoff valve (house water supply) and check for any leaks.



3 PLUG IN THE REFRIGERATOR

On models with an icemaker, before plugging in the refrigerator, make sure the icemaker power switch is set to the **O (off)** position.



See the grounding information attached to the power cord.

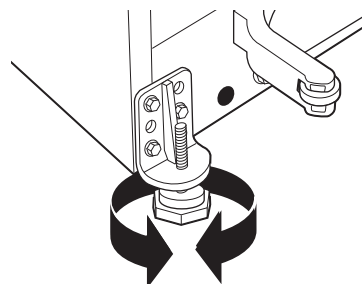
4 PUT THE REFRIGERATOR IN PLACE

Move the refrigerator to its final location.

5 LEVEL THE REFRIGERATOR

Adjustable legs at the front corners of the refrigerator should be set so the refrigerator is firmly positioned on the floor, and the front is raised just enough that the door closes easily when opened about halfway.

To **adjust the leveling legs**, turn the legs **clockwise to raise** the refrigerator, **counterclockwise to lower** it.



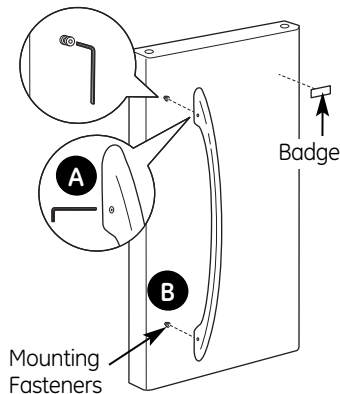
Installation Instructions

6 REMOVE THE FRESH FOOD DOOR HANDLE

(For placement in the installation location or reversal of the handles - on some models)

Stainless steel (on some models):

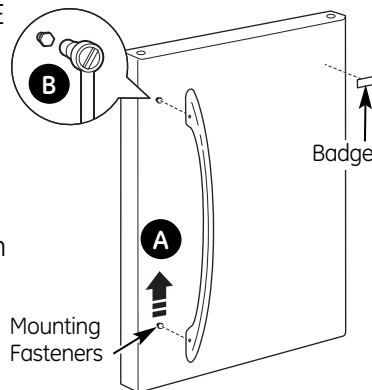
- A** REMOVING THE DOOR HANDLE: Loosen the set screws with the 3/32" Allen wrench and remove the handle.
- NOTE:** For Double Door models follow the same procedure on the opposite door.



(appearance may vary)

Plastic handle (on some models):

- A** REMOVING THE DOOR HANDLE: Depress the tab on the underside of the handle and slide the handle up and off of the mounting fasteners.
- B** REVERSING THE DOOR HANDLE (on some models):
- Remove the handle mounting fasteners with a 3/16" Allen wrench and transfer the handle mounting fasteners to the right side.
 - Remove the logo badge.
 - Remove and transfer the plug button to the left side of the fresh food door. **NOTE:** Use a flat plastic edge to prevent damaging the door. Remove any adhesive on the door with a mild detergent. Remove the paper covering on the adhesive backing on the logo badge prior to carefully attaching the badge to the door.



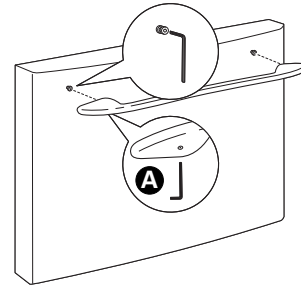
(appearance may vary)

7 REMOVE THE FREEZER DOOR HANDLE

Stainless steel and plastic handles:

- A** Loosen the set screws located on the underside of the handle with the 1/8" Allen wrench and remove the handle.

NOTE: If the handle mounting fasteners need to be tightened or removed, use a 3/16" Allen wrench.



Installation Instructions

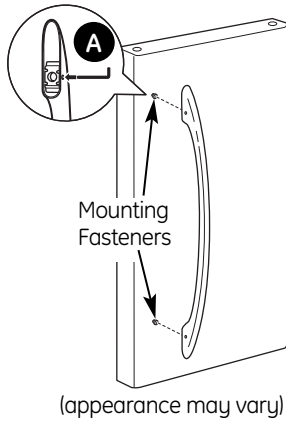
INSTALLING THE REFRIGERATOR (cont.)

8 ATTACH THE FRESH FOOD DOOR HANDLE

Stainless steel handle:

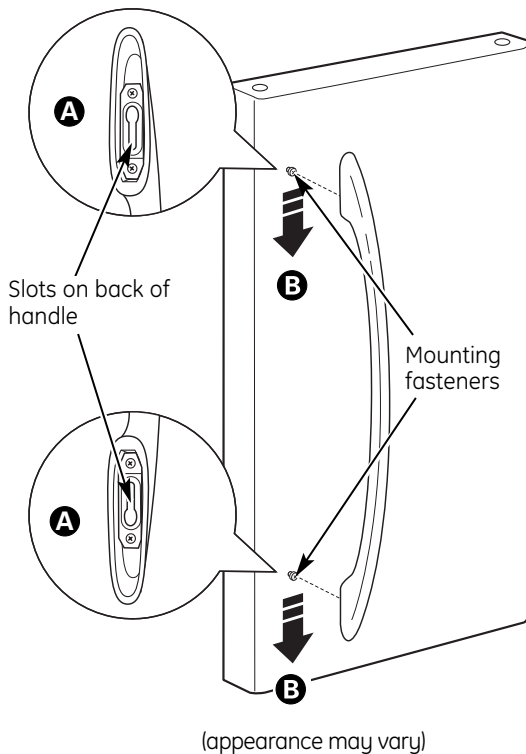
- A Attach the handle to the handle mounting fasteners and tighten the set screws with a 3/32" Allen wrench.

NOTE: For Double Door models follow the same procedure on the opposite door.



Plastic handle:

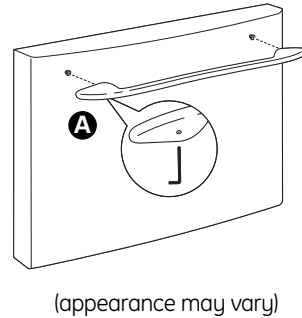
- A Attach the handle to the handle mounting fasteners by aligning the slots with the handle mounting fasteners.
- B Slide it down until it is firmly locked into position.



9 ATTACH THE FREEZER DOOR HANDLE

Stainless steel and plastic handles:

- A Attach the handle firmly to the mounting fasteners and tighten the set screws on the bottom of the handle with a 1/8" Allen wrench.



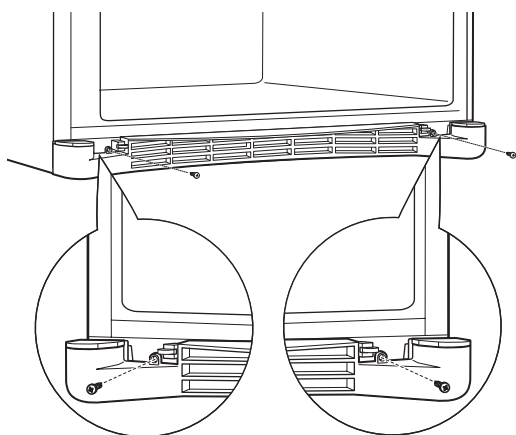
Installation Instructions

10 LEVEL THE REFRIGERATOR

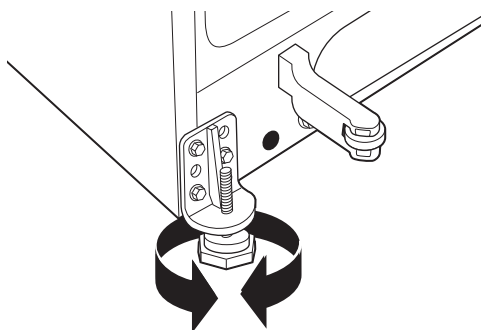
The leveling legs have 2 purposes:

- 1) Leveling legs adjust so the refrigerator is firmly positioned on the floor and does not wobble.
- 2) Leveling legs serve as a stabilizing brake to hold the refrigerator securely in position during operation and cleaning. The leveling legs also prevent the refrigerator from tipping.

- A** Remove the grille by removing the two Phillips head screws.



- B** Turn the leveling legs **clockwise** to raise the refrigerator, **counterclockwise** to lower it.

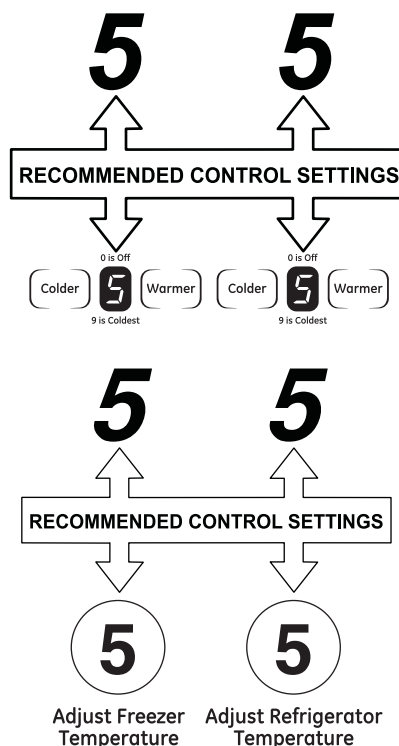


CAUTION: To avoid possible personal injury or property damage, the leveling legs must be firmly touching the floor.

- C** Replace the base grille by inserting the two Phillips head screws.

11 SET THE CONTROLS

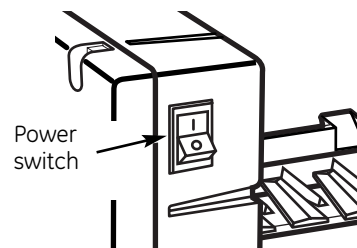
Set the controls to the recommended setting.



12 REMOVE PACKAGING, START ICEMAKER (icemaker models)

- A) Remove all tape, foam and protective packing from shelves and drawers.
- B) Remove the tie downs from the freezer baskets.
- C) Place half width basket onto drawer slides.
See About the freezer section for instructions.

Set the icemaker power switch to the **I (on)** position. The icemaker will not begin to operate until it reaches its operating temperature of 15°F (-9°C) or below. It will then begin operation automatically. It will take 2-3 days to fill the ice bin.



NOTE: In lower water pressure conditions, the water valve may turn on up to 3 times to deliver enough water to the icemaker.

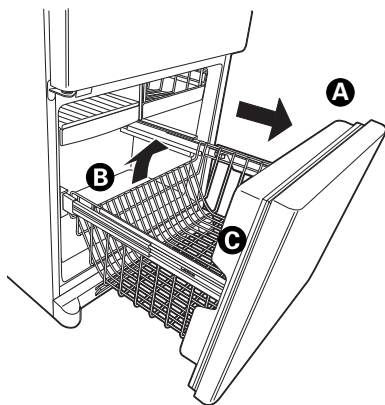
Installation Instructions

REMOVING THE FREEZER DRAWER (on some models)

The freezer drawer can be removed, if needed, to fit through tight areas.
Read these instructions completely and carefully.

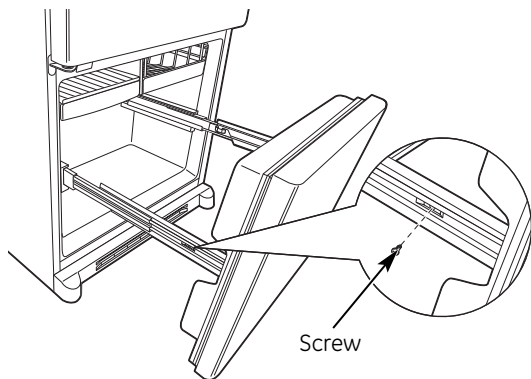
1 REMOVE THE BASKET

- A** Open the freezer drawer until it stops.
- B** The freezer basket rests on a frame inside the freezer drawer. Lift the basket up at the back.
- C** Lift the front up and lift the entire basket up and out of the drawer.



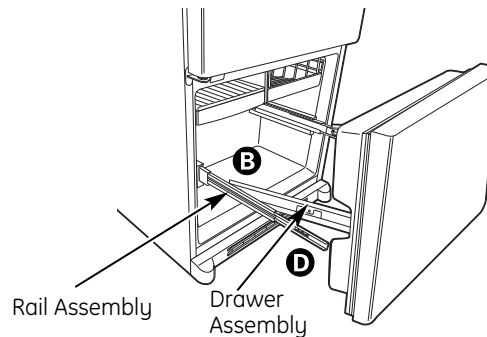
2 REMOVE THE DRAWER FRONT

- A** Remove the screw on each side of the railing.



2 REMOVE THE DRAWER FRONT (cont.)

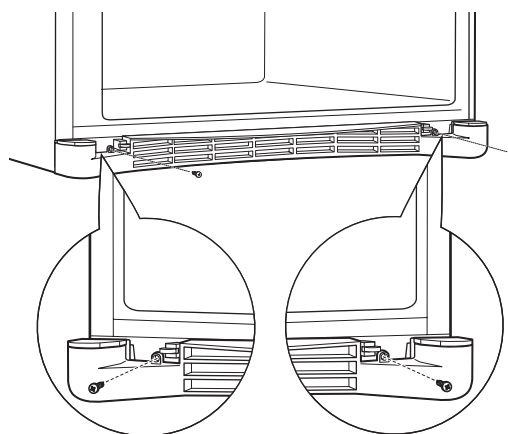
- B** Lift up on both sides of the freezer drawer handle to separate the drawer railings from the rail assemblies.
- C** Set the drawer front on a non-scratching surface.
- D** Push the rail assemblies back into locking position.



3 REMOVE THE BASE GRILLE (if needed)

If, after removing the freezer drawer and refrigerator door, the refrigerator will still not fit through a doorway, the base grille can be removed.

- A** Remove the base grille by removing the screws.



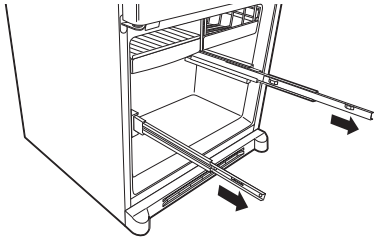
Installation Instructions

REPLACING THE FREEZER DRAWER (on some models)

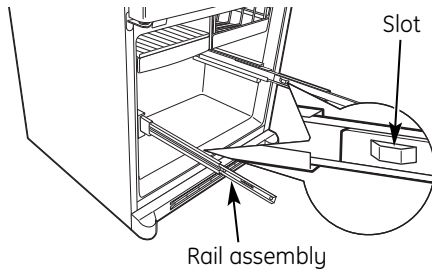
I Two people may be required to complete this procedure.

1 ATTACH AND SECURE THE DRAWER FRONT TO THE SLIDES

A Pull out the rail assemblies to the full length on each side of the cabinet.

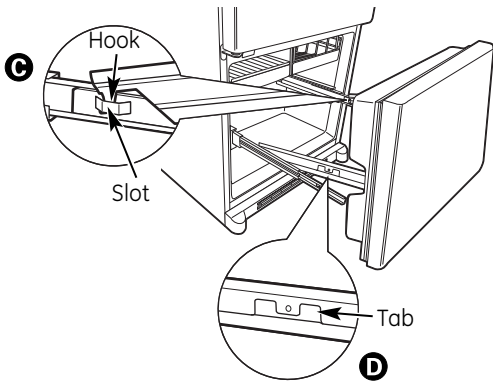


B Locate the slots on the inside of the rail assemblies near the back.



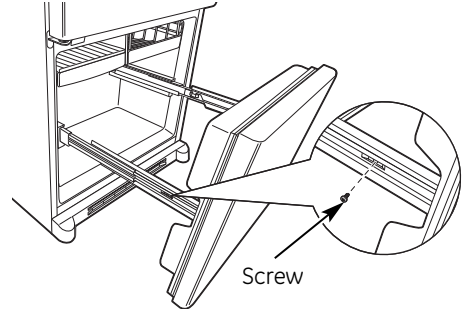
C Insert the hooks at the back of the drawer railings into the slots on the rail assemblies.

D Lower the front of the drawer, making sure the tabs on the sides of the railings fit into the front slots in the rail assemblies.



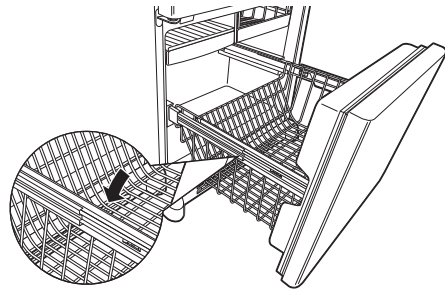
1 ATTACH AND SECURE THE DRAWER FRONT TO THE SLIDES (cont.)

E Replace the screws on both rail assemblies.



2 REPLACE THE FREEZER BASKET

Replace the lower freezer basket by lowering it into the frame.



Installation Instructions

REVERSING THE DOOR SWING (Single Door Refrigerator Models only)

IMPORTANT NOTES

When reversing the door swing:

NOTE: Door swing is not reversible on stainless steel models.

- Read the instructions all the way through before starting.
- Parts are included in the door hinge kit.
- Handle parts carefully to avoid scratching paint.
- Set screws down by their related parts to avoid using them in the wrong places.
- Provide a non-scratching work surface for the doors.

IMPORTANT: Once you begin, do not move the cabinet until door-swing reversal is completed.

These instructions are for changing the hinges from the right side to the left side—if you ever want to change the hinges back to the right side, follow these same instructions and reverse all references to left and right.

- Once door swing is finalized, ensure the logo badge is properly aligned and permanently secured to the door by removing the adhesive cover on the back side. **NOTE:** A replacement logo badge is included in the hinge kit.

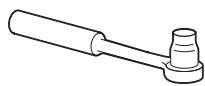
Unplug the refrigerator from its electrical outlet.

Empty all door shelves, including the dairy compartment.

TOOLS YOU WILL NEED



Adjustable Wrench



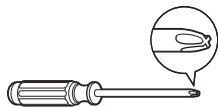
5/16" Socket Ratchet/Driver



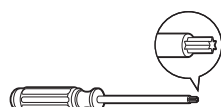
Masking Tape



Thin-blade Screwdriver



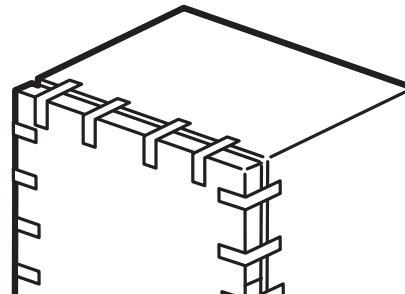
Phillips Screwdriver



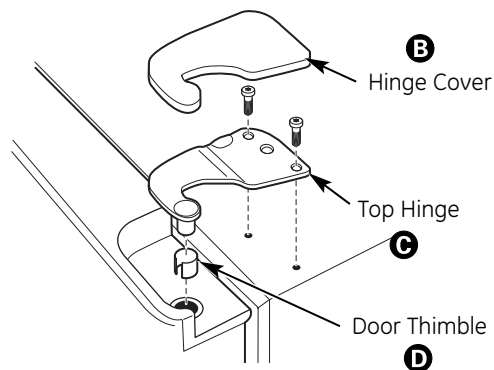
Torx T-20 Driver

1 REMOVE THE REFRIGERATOR DOOR

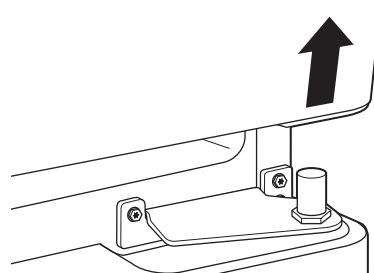
- A** Tape the door shut with masking tape.



- B** Remove the hinge cover on top of the refrigerator door by carefully prying it up with a putty knife, if necessary.
- C** Using a 5/16" socket ratchet/driver, remove the bolts securing the top hinge to the cabinet. Then lift the hinge straight up to free the hinge pin from the socket in the top of the door.
- D** Carefully remove the door thimble from inside the socket. This will be used again when reinstalling the door on the other side.



- E** Remove the tape and tilt the door away from the cabinet. Lift the door off the center hinge pin. Ensure that the plastic hinge pin thimble remains on the hinge pin or inside door hinge pin hole located in the bottom of the door.

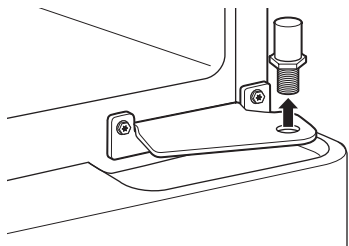


- F** Set the door on a non-scratching surface with the inside up.

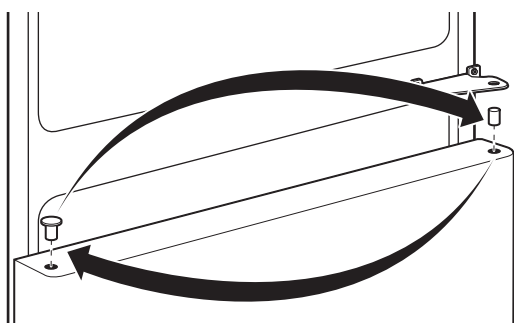
Installation Instructions

2 REMOVE THE FREEZER DOOR

- A** Tape the door shut with masking tape.
- B** Remove hinge pin from hinge bracket. This will be used again with the new hinge bracket for the other side.



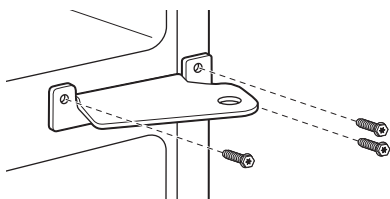
- C** Remove the tape and tilt the door away from the cabinet. Lift the door off the bottom hinge pin.
- D** Remove the button plug from the left side of the door. Remove the door thimble from the right side of the door. Install the door thimble into the hole on the left and the button plug into the hole on the right.



- E** Set the door on a non-scratching surface, with the inside up.

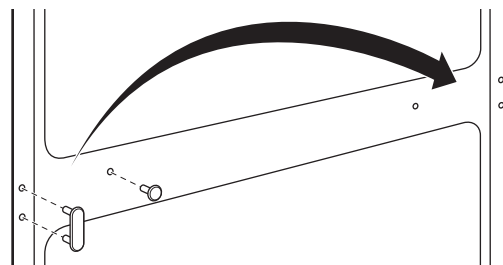
3 TRANSFER CENTER HINGE BRACKET

- A** Using a 5/16" socket ratchet/driver, remove the bolts securing the center hinge to the cabinet.

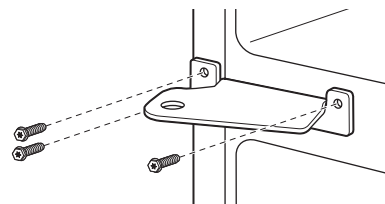


3 TRANSFER CENTER HINGE BRACKET (cont.)

- B** Transfer the plug button and screw hole cover in the hinge holes on the left side to the right side.

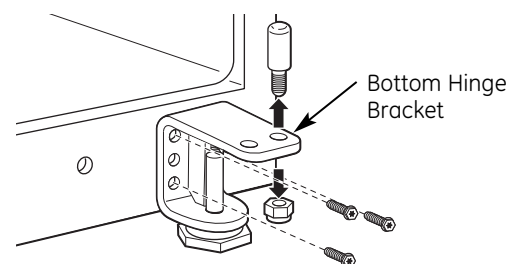


- C** Install the new center hinge bracket from the kit on the left side.

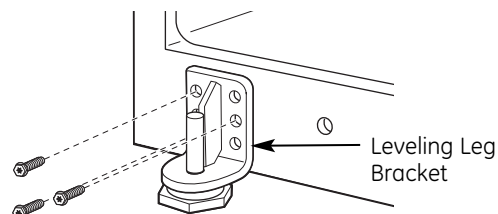


4 REMOVE BOTTOM HINGE AND LEVELING LEG

- A** Using a 1/2" socket ratchet/driver, remove the nut and hinge pin from the hinge bracket with leveling leg. Using a 5/16" socket ratchet/driver, remove the screws from the bottom hinge bracket. These will be reinstalled on the other side.



- B** Using a 5/16" socket ratchet/driver, remove the screws from the leveling leg bracket on the opposite side. These will be reinstalled on the opposite side.

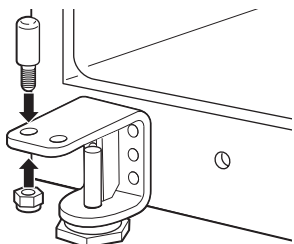


Installation Instructions

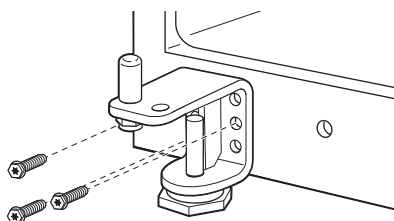
REVERSING THE DOOR SWING (cont.)

5 INSTALL BOTTOM HINGE AND LEVELING LEG

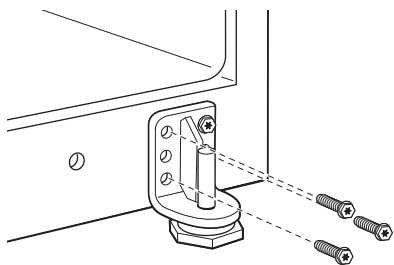
- A** Using a 1/2" socket ratchet/driver, install the hinge pin and nut in the opposite hole on the hinge bracket with leveling leg.



- B** Using a 5/16" socket ratchet/driver, install the hinge bracket with leveling leg on the left side of the refrigerator. The pin will be toward the outside of the refrigerator.

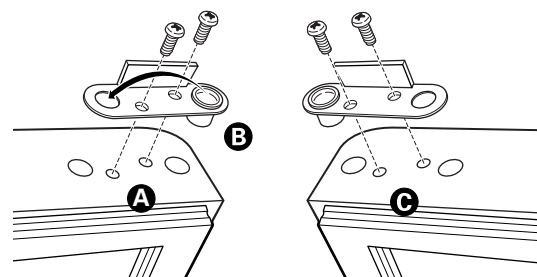


- C** Using a 5/16" socket ratchet/driver, install the leveling leg bracket on the right side of the refrigerator.



6 TRANSFER REFRIGERATOR AND FREEZER DOOR STOPS

- A** Remove the door stop on the right side of the bottom of the door by removing the two screws.
- B** Move the plastic hinge hole thimble to the opposite hole.
- C** Install the door stop on the left side, making sure to line up the screw holes in the door stop with the holes in the bottom of the door.



Bottom of Door (Right Side)

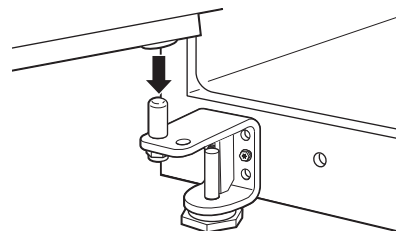
Bottom of Door (Left Side)

7 TRANSFER REFRIGERATOR DOOR HANDLE TO RIGHT

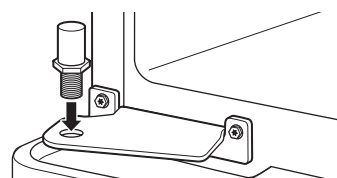
Refer to Remove the Fresh Food Door Handle and Attach the Fresh Food Door Handle sections for instructions.

8 REHANG FREEZER DOOR

- A** Lower the freezer door onto the bottom hinge pin. Ensure that the plastic hinge pin thimble is on the hinge pin or inside the door hinge pin hole located in the bottom of the door.



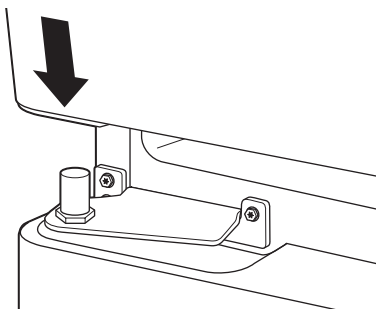
- B** Straighten the door and line it up with the center hinge bracket.
- C** Install the center hinge pin with a 3/4" socket ratchet/driver. Turn it until it extends through the hinge bracket and into the freezer door.



Installation Instructions

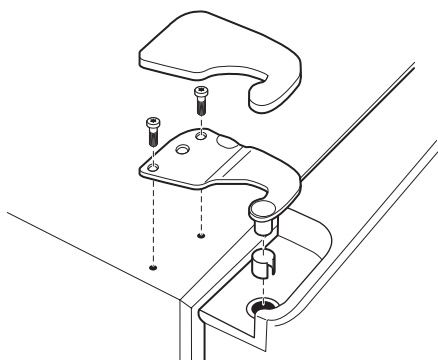
9 REHANG REFRIGERATOR DOOR

- A** Lower the refrigerator door onto the center hinge pin. Ensure that the plastic hinge pin thimble is on the center hinge pin or inside door hinge pin hole located in the bottom of the door.



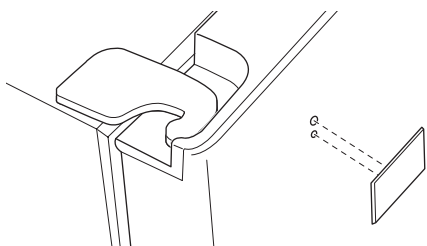
- B** Insert the door thimble into the hinge hole on top of the refrigerator door and then insert the top hinge pin. Make sure the door is aligned with the cabinet. Attach the hinge to the top of the cabinet loosely with the bolts.

- C** Make sure the gasket on the door is flush against the cabinet and is not folded. Support the door on the handle side and make sure the door is straight and the gap between the doors is even across the front. While holding the door in place, tighten the top hinge bolts. Replace the hinge cover.



10 INSTALL THE LOGO BADGE

Remove the adhesive backing paper and align the pins on the back of the badge with the holes in the door. Apply pressure to the badge to ensure it sticks to the door.



REMOVING THE DOORS (Double Door Refrigerator Models only)

IMPORTANT NOTES

NOTE: Door swing is not reversible.

- Read the instructions all the way through before starting.
- Handle parts carefully to avoid scratching paint.
- Set screws down by their related parts to avoid using them in the wrong places.
- Provide a non-scratching work surface for the doors.

IMPORTANT: Once you begin, do not move the cabinet.

These instructions are for removing the doors.

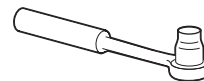
Unplug the refrigerator from its electrical outlet.

Empty all door shelves, including the dairy compartment.

TOOLS YOU WILL NEED



Adjustable Wrench



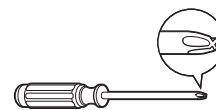
3/8" and 10 mm Socket Ratchet/Driver



Masking Tape



Thin-blade Screwdriver



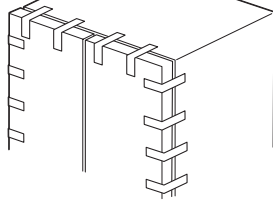
Phillips Screwdriver

Installation Instructions

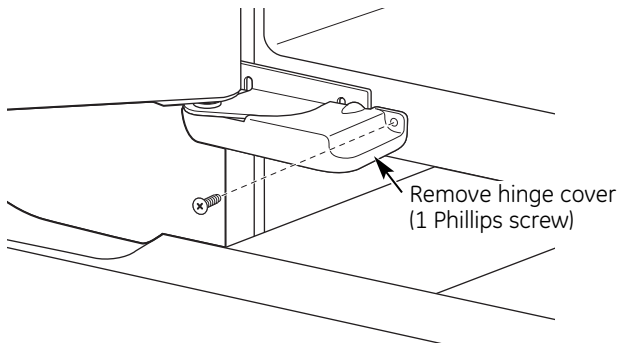
REMOVING THE DOORS (Double Door Refrigerator Models only)

1 REMOVE THE REFRIGERATOR DOORS

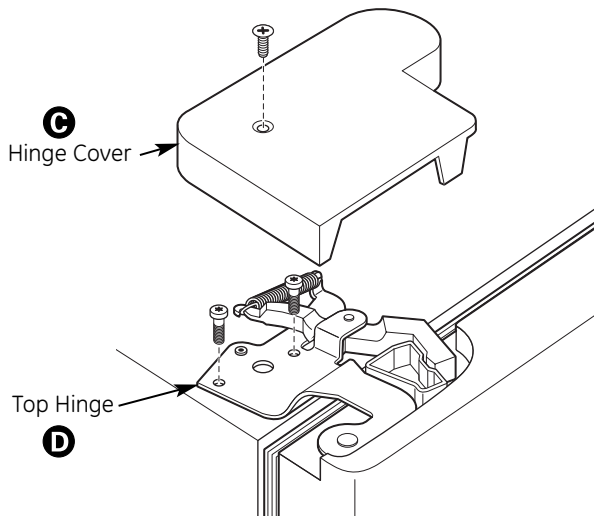
- A** Tape the doors shut with masking tape.



- B** Start with left-hand door first: Remove the screw securing the center hinge cover, lift the hinge cover and place to the side on top of the refrigerator.

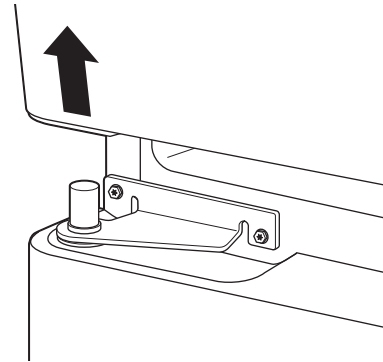


- C** Remove the hinge cover on top of the refrigerator door by removing the Phillips head screw and pulling the cover up.
- D** Using a 5/16" socket ratchet/driver, remove the bolts securing the top hinge to the cabinet. Then lift the hinge straight up to free the hinge pin from the socket in the top of the door.



1 REMOVE THE REFRIGERATOR DOORS (cont.)

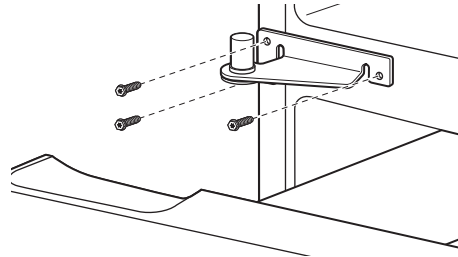
- E** Remove the tape and tilt the door away from the cabinet. Lift the door off the center hinge pin. Ensure that the plastic hinge pin thimble remains on the hinge pin or inside door hinge pin hole located in the bottom of the door.



- F** Set the door on a non-scratching surface with the inside up.

2 REMOVE CENTER HINGE

Using a 5/16" socket ratchet/driver, remove the bolts securing the center hinge to the cabinet. Set the hinge and bolts aside.



3 REMOVE OPPOSITE DOOR

Follow the same procedure on the opposite door. There are no center hinge covers on the opposite side.

4 REMOVE FREEZER DRAWER

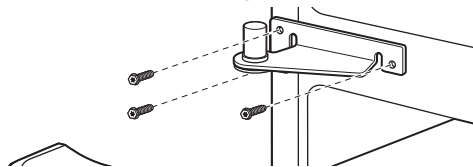
Refer to the Removing the Freezer Drawer section for instructions.

Installation Instructions

REPLACING THE DOORS (Double Door Refrigerator Models only)

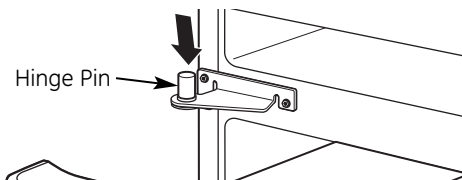
1 INSTALL CENTER HINGE

Install the center hinge on each side.

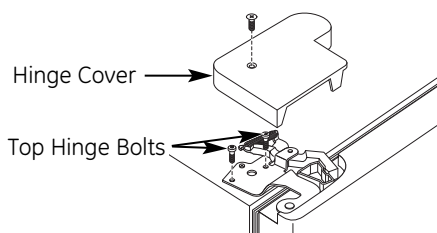


2 REHANG REFRIGERATOR DOORS

- A** Lower the refrigerator door onto the center hinge pin. Ensure that the plastic hinge pin thimble is on the center hinge pin or inside door hinge pin hole located in the bottom of the door.



- B** Securely tape the door shut with masking tape or have a second person support the door.
- C** Insert the top hinge pin into the hinge hole on top of the refrigerator door. Make sure the door is aligned with the cabinet and opposite door. Attach the hinge to the top of the cabinet loosely with the bolts.
- D** Make sure the gasket on the door is flush against the cabinet and is not folded. Make sure the door is straight and the gap between the doors is even across the front. While holding the aligned door in place, tighten the top hinge bolts. Replace the hinge cover and screw.



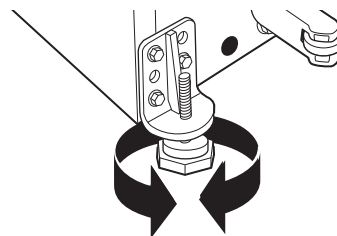
(appearance may vary)

3 REPLACE OPPOSITE DOOR

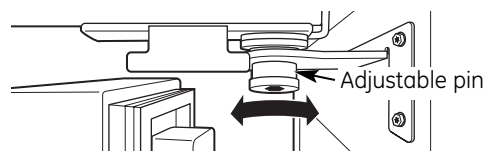
Follow the same procedure on the opposite door. There is no water line or hinge cover.

4 ALIGN DOUBLE DOORS

If the top of the doors are uneven, first try to raise the lowest door by turning the leveling leg on the same side as the door until the doors are even. If the unit rocks, re-adjust the leveling legs to the extent that the unit is stable.



If the doors remain uneven, turn the adjustable pin to raise, or lower, the left door to match the right door. Use a 1/4" Allen wrench to turn the pin.



5 REPLACE FREEZER DRAWER

Refer to the Replacing the Freezer Drawer section for instructions.

Installation Instructions

INSTALLING THE WATER LINE (ICEMAKER MODELS)

BEFORE YOU BEGIN

Recommended copper water supply kits are WX8X2, WX8X3 or WX8X4, depending on the amount of tubing you need. Approved plastic water supply lines are GE SmartConnect™ Refrigerator Tubing (WX08X10006, WX08X10015 and WX08X10025).

When connecting your refrigerator to a GE Reverse Osmosis Water System, the only approved installation is with a GE RVKit. For other reverse osmosis water systems, follow the manufacturer's recommendations.

If the water supply to the refrigerator is from a Reverse Osmosis Water Filtration System AND the refrigerator also has a water filter, use the refrigerator's filter bypass plug. Using the refrigerator's water filtration cartridge in conjunction with the RO filter can result in hollow ice cubes.

This water line installation is not warranted by the refrigerator or icemaker manufacturer. Follow these instructions carefully to minimize the risk of expensive water damage.

Water hammer (water banging in the pipes) in house plumbing can cause damage to refrigerator parts and lead to water leakage or flooding. Call a qualified plumber to correct water hammer before installing the water supply line to the refrigerator.

To prevent burns and product damage, do not hook up the water line to the hot water line.

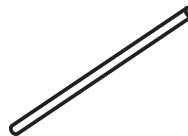
If you use your refrigerator before connecting the water line, make sure the icemaker power switch is in the **O (off)** position.

Do not install the icemaker tubing in areas where temperatures fall below freezing.

When using any electrical device (such as a power drill) during installation, be sure the device is double insulated or grounded in a manner to prevent the hazard of electric shock, or is battery powered.

All installations must be in accordance with local plumbing code requirements.

WHAT YOU WILL NEED



- **Copper or GE SmartConnect™ Refrigerator Tubing kit**, 1/4" outer diameter to connect the refrigerator to the water supply. If using copper, be sure both ends of the tubing are cut square.

To determine how much tubing you need: measure the distance from the water valve on the back of the refrigerator to the water supply pipe. Be sure there is sufficient extra tubing to allow the refrigerator to move out from the wall after installation.

GE SmartConnect™ Refrigerator Tubing Kits are available in the following lengths:

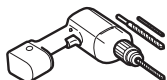
- 6' (1.8 m) – WX08X10006
- 15' (4.6 m) – WX08X10015
- 25' (7.6 m) – WX08X10025

Installation Instructions

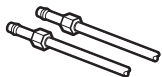
WHAT YOU WILL NEED (CONT.)

NOTE: The only GE approved plastic tubing is that supplied in GE SmartConnect™ Refrigerator Tubing kits. Do not use any other plastic water supply line because the line is under pressure at all times. Certain types of plastic will crack or rupture with age and cause water damage to your home.

- **A GE water supply kit** (containing tubing, shutoff valve and fittings listed below) is available at extra cost from your dealer or from Parts and Accessories, 800.626.2002 (in Canada 1.888.261.3055).
- **A cold water supply.** The water pressure must be between 20 and 120 p.s.i. (1.4–8.1 bar).



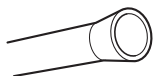
- **Power drill.**
- **1/2" or adjustable wrench.**
- **Straight and Phillips blade screwdriver.**



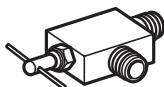
- **Two 1/4" outer diameter compression nuts and 2 ferrules (sleeves)**—to connect the copper tubing to the shutoff valve and the refrigerator water valve.

OR

- If you are using a GE SmartConnect™ Refrigerator Tubing kit, the necessary fittings are preassembled to the tubing.



- If your existing copper water line has a flared fitting at the end, you will need an **adapter** (available at plumbing supply stores) to connect the water line to the refrigerator **OR** you can cut off the flared fitting with a **tube cutter** and then use a compression fitting. Do not cut formed end from GE SmartConnect™ Refrigerator tubing.



- **Shutoff valve** to connect to the cold water line. The shutoff valve should have a water inlet with a minimum inside diameter of 5/32" at the point of connection to the **COLD WATER LINE**. Saddle-type shutoff valves are included in many water supply kits. Before purchasing, make sure a saddle-type valve complies with your local plumbing codes.

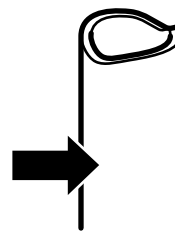
Install the shutoff valve on the nearest frequently used drinking water line.

1 SHUT OFF THE MAIN WATER SUPPLY

Turn on the nearest faucet long enough to clear the line of water.

2 CHOOSE THE VALVE LOCATION

Choose a location for the valve that is easily accessible. It is best to connect into the side of a vertical water pipe. When it is necessary to connect into a horizontal water pipe, make the connection to the top or side, rather than at the bottom, to avoid drawing off any sediment from the water pipe.

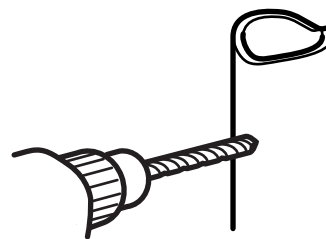


3 DRILL THE HOLE FOR THE VALVE

Drill a 1/4" hole in the water pipe (even if using a self-piercing valve), using a sharp bit. Remove any burrs resulting from drilling the hole in the pipe.

Take care not to allow water to drain into the drill.

Failure to drill a 1/4" hole may result in reduced ice production or smaller cubes.

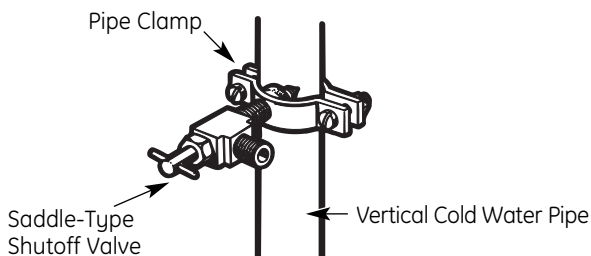


Installation Instructions

INSTALLING THE WATER LINE (CONT.)

4 FASTEN THE SHUTOFF VALVE

Fasten the shutoff valve to the cold water pipe with the pipe clamp.

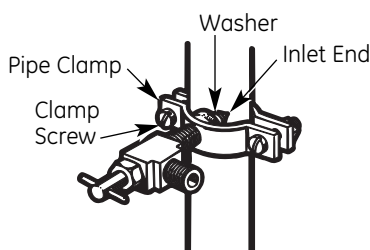


NOTE: Commonwealth of Massachusetts Plumbing Codes 248CMR shall be adhered to. Saddle valves are illegal and use is not permitted in Massachusetts. Consult with your licensed plumber.

5 TIGHTEN THE PIPE CLAMP

Tighten the clamp screws until the sealing washer begins to swell.

NOTE: Do not overtighten or you may crush the tubing.



6 ROUTE THE TUBING

Route the tubing between the cold water line and the refrigerator.

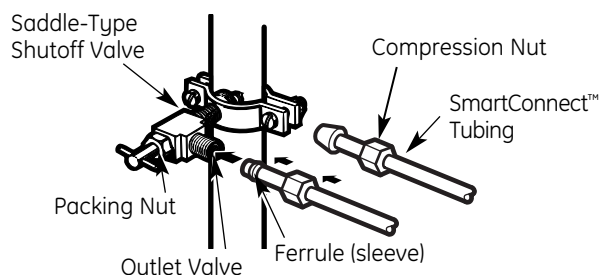
Route the tubing through a hole drilled in the wall or floor (behind the refrigerator or adjacent base cabinet) as close to the wall as possible.

7 CONNECT THE TUBING TO THE VALVE

Place the compression nut and ferrule (sleeve) for copper tubing onto the end of the tubing and connect it to the shutoff valve.

Make sure the tubing is fully inserted into the valve. Tighten the compression nut securely.

For plastic tubing from a GE SmartConnect™ Refrigerator Tubing kit, insert the molded end of the tubing into the shutoff valve and tighten compression nut until it is hand tight, then tighten one additional turn with a wrench. Overtightening may cause leaks.

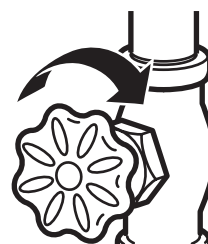


NOTE: Commonwealth of Massachusetts Plumbing Codes 248CMR shall be adhered to. Saddle valves are illegal and use is not permitted in Massachusetts. Consult with your licensed plumber.

8 FLUSH OUT THE TUBING

Turn the main water supply on and flush out the tubing until the water is clear.

Shut the water off at the water valve after about one quart (1 liter) of water has been flushed through the tubing.



To complete the installation of the refrigerator, go back to Step 1 in *Installing the Refrigerator*.



Newer refrigerators sound different from older refrigerators. Modern refrigerators have more features and use newer technology.

Do you hear what I hear? These sounds are normal.

HUMMM... WHOOSH...

- The new high efficiency compressor may run faster and longer than your old refrigerator and you may hear a high-pitched hum or pulsating sound while it is operating.
- You may hear a whooshing sound when the doors close. This is due to pressure equalizing within the refrigerator.



- You may hear the fans spinning at high speeds. This happens when the refrigerator is first plugged in, when the doors are opened frequently or when a large amount of food is added to the refrigerator or freezer compartments. The fans are helping to maintain the correct temperatures.
- The fans change speeds in order to provide optimal cooling and energy savings.

CLICKS, POPS, CRACKS and SNAPS

- You may hear cracking or popping sounds when the refrigerator is first plugged in. This happens as the refrigerator cools to the correct temperature.
- The freezer control will click when starting or stopping the compressor.
- Defrost timer snapping in and out of the defrost cycle.
- Expansion and contraction of cooling coils during and after defrost can cause a cracking or popping sound.
- On models with an icemaker, after an icemaking cycle, you may hear the ice cubes dropping into the ice bucket.
- On models with a dispenser, during water dispense, you may hear the water lines move at initial dispense and after dispenser button is released.

WATER SOUNDS



- The flow of refrigerant through the freezer cooling coils may make a gurgling noise like boiling water.
- Water dropping on the defrost heater can cause a sizzling, popping or buzzing sound during the defrost cycle.
- A water dripping noise may occur during the defrost cycle as ice melts from the evaporator and flows into the drain pan.
- Closing the door may cause a gurgling sound due to pressure equalization.

 For additional information on normal icemaker operating sounds, see the **About the automatic icemaker** section.

Before you call for service...



Troubleshooting Tips
Save time and money! Review the charts on the following pages first and you may not need to call for service.

Problem	Possible Causes	What To Do
Refrigerator does not operate	Refrigerator in defrost cycle.	• Wait about 30 minutes for defrost cycle to end.
	Control in Off position.	• Move the control to a temperature setting.
	Refrigerator is unplugged.	• Push the plug completely into the outlet.
	The fuse is blown/circuit breaker is tripped.	• Replace fuse or reset the breaker.
Vibration or rattling (slight vibration is normal)	Leveling legs need adjusting.	• See <i>Level the Refrigerator</i> .

Before you call for service...



Troubleshooting Tips

Problem	Possible Causes	What To Do
Motor operates for long periods or cycles on and off frequently. (Modern refrigerators with more storage space and a larger freezer require more operating time. They start and stop often to maintain even temperatures.)	Normal when refrigerator is first plugged in.	<ul style="list-style-type: none"> • Wait 24 hours for the refrigerator to completely cool down.
	Often occurs when large amounts of food are placed in refrigerator.	<ul style="list-style-type: none"> • This is normal.
	Door left open.	<ul style="list-style-type: none"> • Check to see if package is holding door open.
	Hot weather or frequent door openings.	<ul style="list-style-type: none"> • This is normal.
	Temperature control set at the coldest setting.	<ul style="list-style-type: none"> • See <i>About the controls</i>.
Refrigerator or freezer compartment too warm	Temperature controls not set cold enough.	<ul style="list-style-type: none"> • See <i>About the controls</i>.
	Warm weather or frequent door openings.	<ul style="list-style-type: none"> • Set the temperature control one step colder. See <i>About the controls</i>.
	Door left open.	<ul style="list-style-type: none"> • Check to see if package is holding door open.
Frost or ice crystals on frozen food (frost within package is normal)	Door left open.	<ul style="list-style-type: none"> • Check to see if package is holding door open.
	Door openings too frequent or too long.	<ul style="list-style-type: none"> • This is normal.
Frequent "buzzing" sound	Icemaker power switch is in the I (on) position, but the water supply to the refrigerator has not been connected.	<ul style="list-style-type: none"> • Set the power switch to the O (off) position. Keeping it in the I (on) position will damage the water valve.
Small or hollow cubes	Water filter clogged.	<ul style="list-style-type: none"> • Replace filter cartridge with new cartridge or with plug.
Automatic icemaker (on some models) does not work	Icemaker power switch is not on.	<ul style="list-style-type: none"> • Set the power switch to the I (on) position. The icemaker power light will turn green when the freezer light switch is pressed in or when the freezer door is closed.
	Water supply turned off or not connected.	<ul style="list-style-type: none"> • See <i>Installing the water line</i>.
	Freezer compartment too warm.	<ul style="list-style-type: none"> • Wait 24 hours for the refrigerator to completely cool down.
	Piled up cubes in the storage bin cause the icemaker to shut off.	<ul style="list-style-type: none"> • Level cubes by hand.
	Ice cubes stuck in icemaker. (Green power light on icemaker blinking.)	<ul style="list-style-type: none"> • Turn off the icemaker, remove cubes and turn the icemaker back on.
	Icemaker light is not lit.	<ul style="list-style-type: none"> • This is normal when the freezer door is open. The icemaker power light will turn green when the freezer light switch is pressed in or when the freezer door is closed.

Problem	Possible Causes	What To Do
Ice cubes have odor/taste	Food transmitting odor/taste to ice cubes.	<ul style="list-style-type: none"> • Wrap foods well.
	Interior of refrigerator needs cleaning.	<ul style="list-style-type: none"> • See <i>Care and cleaning</i>. • Keep an open box of baking soda in the refrigerator; replace every three months.
Slow ice cube freezing	Door left open.	<ul style="list-style-type: none"> • Check to see if package is holding door open.
	Freezer control not set cold enough.	<ul style="list-style-type: none"> • See <i>About the controls</i>.
Refrigerator has odor	Foods transmitting odor to refrigerator.	<ul style="list-style-type: none"> • Foods with strong odors should be tightly wrapped. • Keep an open box of baking soda in the refrigerator; replace every three months.
	Interior needs cleaning.	<ul style="list-style-type: none"> • See <i>Care and cleaning</i>.
Moisture forms on outside of refrigerator	Not unusual during periods of high humidity.	<ul style="list-style-type: none"> • Wipe surface dry and reset the refrigerator control one setting colder.
Moisture collects inside (in humid weather, air carries moisture into refrigerator when doors are opened)	Too frequent or too long door openings.	<ul style="list-style-type: none"> • This is normal.
Refrigerator or freezer compartment light does not work	No power at outlet.	<ul style="list-style-type: none"> • Replace fuse or reset the breaker.
	Light bulb burned out or loose.	<ul style="list-style-type: none"> • See <i>Replacing the light bulbs</i>.
Door/drawer does not close by itself	Leveling legs need adjusting.	<ul style="list-style-type: none"> • See <i>Installing the Refrigerator</i>.
Freezer door/drawer pops open when refrigerator door is closed	This is normal if, after popping open, the freezer door/drawer closed on its own.	<ul style="list-style-type: none"> • This indicates that there is a good seal on the freezer door/drawer. If the freezer door/drawer does not automatically close after popping open, then see the Problem: Door/drawer does not close by itself, above.
Hot air from bottom of refrigerator	Normal air flow cooling motor. In the refrigeration process, it is normal that heat be expelled in the area under the refrigerator. Some floor coverings will discolor at these normal and safe temperatures.	
Food freezing in the refrigerator	Food too close to the air vent at the back of the refrigerator.	<ul style="list-style-type: none"> • Move the food away from the air vent.
	Refrigerator control is set too cold.	<ul style="list-style-type: none"> • Move the refrigerator control to a warmer temperature setting one increment at a time.
Orange glow in the freezer	Defrost heater is on.	<ul style="list-style-type: none"> • This is normal.

Before you call for service...



Troubleshooting Tips

Problem	Possible Causes	What To Do
No ice cube production (on some models)	Supply line or shutoff valve is clogged.	<ul style="list-style-type: none"> • Call a plumber.
	Water filter clogged.	<ul style="list-style-type: none"> • Replace filter cartridge or remove filter and install plug.
	Filter cartridge not properly installed.	<ul style="list-style-type: none"> • Remove and reinstall filter cartridge, being certain that it locks into place. The blade on the end of the cartridge should be positioned vertically.
Handle is loose / handle has a gap	Handle needs adjusting.	<ul style="list-style-type: none"> • See <i>Attach the Fresh Food Door Handle</i> and <i>Attach the Freezer Door Handle</i> sections for detailed instructions.
Refrigerator beeping	This is the door alarm.	<ul style="list-style-type: none"> • Close door.
Control setting is not lit	On some models, the light bulbs at the top of the refrigerator compartment light up the temperature control settings.	<ul style="list-style-type: none"> • If the control settings do not light up, check to see if the light bulbs are burned out, and replace if necessary.
Refrigerator doors are not even (on Double Door models only)	Doors need realigning.	<ul style="list-style-type: none"> • See <i>Align Double Doors</i> section located under <i>Replacing the Door (Double Door Refrigerator Models only)</i>.
Baskets stick or jam when opening or closing	Baskets are too full.	<ul style="list-style-type: none"> • To open: remove some of the products from the basket when opened as far as possible. Readjust the products left in the basket and try to open the basket again. • To close: readjust products in the basket or remove any product that is above the rim of the basket and close the basket.

GE Service Protection Plus™

GE, a name recognized worldwide for quality and dependability together with Assurant Solutions, offers you Service Protection Plus™—comprehensive protection on your appliances.*

Benefits Include:

- Prompt, reliable service from GE Authorized Servicers
- Convenient hours designed to suit your busy schedule
- Quality replacement parts
- The dependability of GE, a name recognized and trusted worldwide
- Ask about our interest-free payment plans

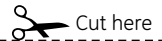
With Service Protection Plus you can expect:

- An extended service plan that limits unexpected repair bills
- Service coverage for most major brands
- Unlimited service calls for the length of your contract, or credit toward a replacement product
- Service coverage for covered operating parts and labor on appliances and home electronics that fail during normal single family household use
- Your satisfaction is our goal. We strive to provide you with excellent service in a professional and timely manner.

Place your confidence in GE and call us in the U.S. toll-free at **1.800.626.2224** for more information.

*Most brands covered up to 15 years old in the continental U.S.

SPP is a trademark of General Electric Company.



Please place in envelope and mail to:

General Electric Company
Warranty Registration Department
P.O. Box 32150
Louisville, KY 40232-2150

Consumer Product Ownership Registration

Dear Customer:

Thank you for purchasing our product and thank you for placing your confidence in us.

We are proud to have you as a customer!

Follow these three steps to protect your new appliance investment:

1

Complete and mail your Consumer Product Ownership Registration today. Have the peace of mind of knowing we can contact you in the unlikely event of a safety modification.

2

After mailing the registration below, store this document in a safe place. It contains information you will need should you require service. Our service number is 800 GE CARES (800.432.2737).

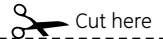
3

Read your Owner's Manual carefully. It will help you operate your new appliance properly.

Model Number

Serial Number

Important: If you did not get a registration card with your product, detach and return the form below to ensure that your product is registered, or register online at ge.com.



Consumer Product Ownership Registration



Model Number

Serial Number

Mr. Ms. Mrs. Miss

First Name

Last Name

Street Address

Apt. #

E-mail Address*

City

State

Zip Code

Date Placed In Use Month

Day

Year

Phone Number - -



GE Consumer & Industrial Appliances
General Electric Company
Louisville, KY 40225
ge.com

* Please provide your e-mail address to receive, via e-mail, discounts, special offers and other important communications from GE Appliances (GEA).

Check here if you do not want to receive communications from GEA's carefully selected partners.

FAILURE TO COMPLETE AND RETURN THIS CARD DOES NOT DIMINISH YOUR WARRANTY RIGHTS.

For information about GEA's privacy and data usage policy, go to ge.com and click on "Privacy Policy" or call 800.626.2224.

Please place in envelope and mail to:
Veuillez mettre dans une enveloppe et envoyez à :

**OWNERSHIP REGISTRATION
P.O. BOX 1780
MISSISSAUGA, ONTARIO
L4Y 4G1**

(FOR CANADIAN CONSUMERS ONLY)



For Canadian
Customers



Pour les
Consommateurs
Canadiens

CUT ALONG THIS LINE AND RETURN CARD—THANKS

OWNERSHIP REGISTRATION CERTIFICATE – FICHE D'INSCRIPTION DU PROPRIÉTAIRE

Please register your product to enable us to contact you in the remote event a safety notice is issued for this product and to allow for efficient communication under the terms of your warranty, should the need arise.

Veillez enregistrer votre produit afin de nous permettre de communiquer avec vous si jamais un avis de sécurité concernant ce produit était émis et de communiquer facilement avec vous en vertu de votre garantie, si le besoin s'en fait sentir.

REGISTER ON-LINE: ENREGISTREMENT SUR INTERNET À:		www.geappliances.ca		MAIL TO: POSTER À:	P.O. BOX 1780, MISSISSAUGA ONTARIO, L4Y 4G1
<input type="checkbox"/> MR./M <input type="checkbox"/> MISS/MLE.	<input type="checkbox"/> MRS./MME. <input type="checkbox"/> MS.	FIRST NAME / PRÉNOM		LAST NAME / NOM	
STREET NO / N° RUE		STREET NAME / RUE			APT. NO / APP. / RR#
CITY / VILLE				PROVINCE	POSTAL CODE / POSTAL
AREA CODE / IND. RÉG.	TELEPHONE	E-MAIL			
DID YOU PURCHASE A SERVICE CONTRACT FOR THIS APPLIANCE? AVEZ-VOUS ACHETÉ UN CONTRAT DE SERVICE POUR CET APPAREIL ?				YES / OUI <input type="checkbox"/> NO / NON <input type="checkbox"/>	IF YES / SI OUI: EXPIRATION Y/A M D/J
NAME OF SELLING DEALER / NOM DU MARCHAND				MODEL / MODÈLE	
INSTALLATION DATE / DATE D'INSTALLATION Y/A M D/J		CORRESPONDENCE CORRESPONDANCE	<input type="checkbox"/> ENGLISH <input type="checkbox"/> FRANÇAIS	SERIAL / SÉRIE	
<input type="checkbox"/> I do not wish to receive any promotional offers regarding this product. <input type="checkbox"/> Je ne désire pas recevoir d'offres promotionnelles concernant ce produit.					

Refrigerator Warranty. (For customers in the United States)



All warranty service provided by our Factory Service Centers, or an authorized Customer Care® technician. To schedule service, on-line, visit us at ge.com, or call 800.GE.CARES (800.432.2737). Please have serial number and model number available when calling for service.

Staple your receipt here.
Proof of the original purchase date is needed to obtain service under the warranty.

For The Period Of: **GE Will Replace:**

GE and GE PROFILE MODELS:

One Year <i>From the date of the original purchase</i>	Any part of the refrigerator which fails due to a defect in materials or workmanship. During this limited one-year warranty , GE will also provide, free of charge , all labor and related service to replace the defective part.
Thirty Days <i>(Water filter, if included) From the original purchase date of the refrigerator</i>	Any part of the water filter cartridge which fails due to a defect in materials or workmanship. During this limited thirty-day warranty , GE will also provide, free of charge , a replacement water filter cartridge.

GE PROFILE MODELS ONLY:

Five Years <i>(GE Profile models only) From the date of the original purchase</i>	Any part of the sealed refrigerating system (the compressor, condenser, evaporator and all connecting tubing) which fails due to a defect in materials or workmanship. During this limited five-year sealed refrigerating system warranty , GE will also provide, free of charge , all labor and related service to replace the defective part in the sealed refrigerating system.
---	---

What GE Will Not Cover:

- Service trips to your home to teach you how to use the product.
- Improper installation, delivery or maintenance.
- Failure of the product if it is abused, misused, or used for other than the intended purpose or used commercially.
- Loss of food due to spoilage.
- Replacement of house fuses or resetting of circuit breakers.
- Damage caused after delivery.
- Replacement of the water filter cartridge, if included, due to water pressure that is outside the specified operating range or due to excessive sediment in the water supply.
- Replacement of the light bulbs, if included, or water filter cartridge, if included, other than as noted above.
- Damage to the product caused by accident, fire, floods or acts of God.
- Incidental or consequential damage caused by possible defects with this appliance.
- Product not accessible to provide required service.

EXCLUSION OF IMPLIED WARRANTIES—Your sole and exclusive remedy is product repair as provided in this Limited Warranty. Any implied warranties, including the implied warranties of merchantability or fitness for a particular purpose, are limited to one year or the shortest period allowed by law.

This warranty is extended to the original purchaser and any succeeding owner for products purchased for home use within the USA. If the product is located in an area where service by a GE Authorized Servicer is not available, you may be responsible for a trip charge or you may be required to bring the product to an Authorized GE Service location for service. In Alaska, the warranty excludes the cost of shipping or service calls to your home.

Some states do not allow the exclusion or limitation of incidental or consequential damages. This warranty gives you specific legal rights, and you may also have other rights which vary from state to state. To know what your legal rights are, consult your local or state consumer affairs office or your state's Attorney General.

CUSTOMER WARRANTY

(for customers in Canada)

Your refrigerator is warranted to be free of defects in material and workmanship.

What is covered	How Long Warranted (From Date of Sale)	Parts Repair or Replace at Mabe's Option	Labour
Compressor	GE Profile: Ten (10) Years GE and All Other Brands: One (1) Year	GE Profile: Ten (10) Years GE and All Other Brands: One (1) Year	GE Profile: Five (5) Years GE and All Other Brands: One (1) Year
Sealed System (including evaporator, condenser tubing and refrigerant)	GE Profile: Five (5) Years GE and All Other Brands: One (1) Year	GE Profile: Five (5) Years GE and All Other Brands: One (1) Year	GE Profile: Five (5) Years GE and All Other Brands: One (1) Year
All Other Parts	One (1) Year	One (1) Year	One (1) Year

TERMS AND CONDITIONS:

This warranty applies only for single family domestic use in Canada when the Refrigerator has been properly installed according to the instructions supplied by Mabe and is connected to an adequate and proper utility service.

Damage due to abuse, accident, commercial use, and alteration or defacing of the serial plate cancels all obligations of this warranty.

Service during this warranty period must be performed by an Authorized Mabe Service Agent.

Neither Mabe nor the Dealer is liable for any claims or damages resulting from failure of the Refrigerator or from service delays beyond their reasonable control.

To obtain warranty service, purchaser must present the original Bill of Sale. Components repaired or replaced are warranted through the remainder of the original warranty period only.

This warranty is extended to the original purchaser and any succeeding owner for products purchased for home use within Canada. In home warranty service will be provided in areas where it is available and deemed reasonable by Mabe to provide.

This warranty is in addition to any statutory warranty.

WHAT IS NOT COVERED:

- Owner is responsible to pay for service calls related to product installation and/or teaching how to use the product.
- Damage to finish must be reported within 48 hours following the delivery of the appliance.
- Damage to finish after delivery.
- Improper installation—proper installation includes adequate air circulation to the refrigeration system, adequate electrical, plumbing and other connecting facilities.
- Replacement of house fuses or resetting of circuit breakers.
- Replacement of light bulbs.
- Damage to product caused by accident, fire, floods or acts of God.
- Loss of food due to spoilage.
- Proper use and care of product as listed in the owner's manual, proper setting of controls.
- Product not accessible to provide required service.
- **WARRANTOR IS NOT RESPONSIBLE FOR CONSEQUENTIAL DAMAGES.**

EXCLUSION OF IMPLIED WARRANTIES—Your sole and exclusive remedy is product repair as provided in this Limited Warranty. Any implied warranties, including the implied warranties of merchantability or fitness for a particular purpose, are limited to one year or the shortest period allowed by law.

IMPORTANT

Keep this warranty and your bill of sale as proof of original purchase and purchase date. Please have serial number and model number available when calling for service.

Mabe Service is available coast to coast. If further help is needed concerning this warranty, contact:

Manager, Consumer Relations
Mabe Canada Inc., Consumer Service
1 Factory Lane, Suite 310
Moncton, New Brunswick E1C 9M3
1.800.561.3344

*Staple your receipt here.
Proof of the original purchase
date is needed to obtain service
under the warranty.*

Performance Data Sheet
SmartWater Filtration System
GSWF Cartridge

This system has been tested according to NSF/ANSI 42/53 for reduction of the substances listed below. The concentration of the indicated substances in water entering the system was reduced to a concentration less than or equal to the permissible limit for water leaving the system, as specified in NSF/ANSI 42/53.*
(100% safety factors built in for unmetred usage)

Standard No. 42: Aesthetic Effects								
Parameter	USEPA MCL	Influent Average	Influent Challenge Concentration	Effluent		% Reduction		Min. Required Reduction
				Average	Maximum	Average	Minimum	
Chlorine	—	1.845 mg/L	2.0 mg/L \pm 10%	< 0.05 mg/L	0.05 mg/L	> 97.29%	96.43%	\geq 50%
T & O	—	—	—	—	—	—	—	—
Particulate**	—	143,333 #/mL	at least 10,000 particles/mL	29.83 #/mL	140 #/mL	99.98%	99.91%	\geq 85%

Standard No. 53: Health Effects								
Parameter	USEPA MCL	Influent Average	Influent Challenge Concentration	Effluent		% Reduction		Min. Required Reduction
				Average	Maximum	Average	Minimum	
Turbidity	1 NTU***	10.3 NTU***	1 \pm 1 NTU***	0.106 NTU	0.14 NTU	98.97%	98.61%	0.5 NTU
Cysts	99.95% Reduction	200,000 #/L	Minimum 50,000 L	0	0	> 99.99%	> 99.99%	> 99.95%
Lead at pH 6.5	0.015 mg/L	0.15 mg/L	0.15 mg/L \pm 10%	< 0.001 mg/L	< 0.001 mg/L	> 99.33%	> 99.33%	0.010 mg/L
Lead at pH 8.5	0.015 mg/L	0.14 mg/L	0.15 mg/L \pm 10%	0.001 mg/L	0.003 mg/L	> 99.29%	97.86%	0.010 mg/L
Lindane	0.0002 mg/L	0.0216 mg/L	0.002 mg/L \pm 10%	< 0.00002 mg/L	< 0.00002 mg/L	99.07%	98.75%	0.0002 mg/L
Atrazine	0.003 mg/L	0.008 mg/L	0.009 mg/L \pm 10%	< 0.002 mg/L	< 0.002 mg/L	> 76.12%	> 66.67%	0.003 mg/L

* Tested using a flow rate of 0.5 gpm; pressure of 60 psig; pH of 7.5 \pm 0.5; temp. of 68° \pm 5°F (20° \pm 3°C)

** Measurement in Particles/ml. Particles used were 0.5-1 microns

*** NTU=Nephelometric Turbidity units

Operating Specifications

- Capacity: certified for up to 750 gallons (2,838 l); up to six months
- Pressure requirement: 40–120 psi (2.8–8.2 bar)
- Temperature: 33–100°F (0.6–38°C)
- Flow rate: 0.5 gpm (1.9 lpm)

General Installation/Operation/Maintenance Requirements

- Flush new cartridge at full flow for 3 minutes to purge out trapped air.
- Replace cartridge when flow becomes too slow.

Special Notices

- Installation instructions, parts and service availability, and standard warranty are included with the product when shipped.
- This drinking water system must be maintained according to manufacturer's instructions, including replacement of filter cartridges.
- Do not use with water that is microbiologically unsafe or of unknown quality without adequate disinfection before or after the system. Systems certified for cyst reduction may be used on disinfected water that may contain filterable cysts.
- The contaminants or other substances removed or reduced by this water treatment system are not necessarily in your water.
- Check for compliance with the state and local laws and regulations.
- Note that while the testing was performed under standard laboratory conditions, actual performance may vary. Systems must be installed and operated in accordance with manufacturer's recommended procedures and guidelines.

System tested and certified by NSF International against Standard 42 for the reduction of chlorine, taste and odor, particulate Class I and Standard 53 for the reduction of cyst, lead, Lindane, Atrazine and turbidity.



Manufactured for: General Electric Company, Louisville, KY 40225

State of California
Department of Health Services

Water Treatment Device
Certificate Number

03 - 1559

Date Issued: April 28, 2003

Trademark/Model Designation

GE GSWF

Replacement Elements

GSWF

Manufacturer: General Electric Consumer Products

The water treatment device(s) listed on this certificate have met the testing requirements pursuant to Section 116830 of the Health and Safety Code for the following health related contaminants:

Microbiological Contaminants and Turbidity

Cysts
Turbidity

Inorganic/Radiological Contaminants

Asbestos
Lead

Organic Contaminants

Atrazine
Lindane
2,4-D

Rated Service Capacity: 750 gal

Rated Service Flow: 0.5 gpm

Conditions of Certification:

Do not use where water is microbiologically unsafe or with water of unknown quality, except that systems certified for cyst reduction may be used on disinfected waters that may contain filterable cysts.

Mesures de sécurité44, 45

Fonctionnement

Clayettes et balconnets48
Compartiment du congélateur51
Entretien et nettoyage
du réfrigérateur53, 54
Le filtre à eau47
Les bacs à rangement et bacs à légume49
Les commandes46
Machine à glaçons automatique52
Remplacement des ampoules55
Tiroir du congélateur50

Installation

Changement du sens
d'ouverture des portes
(modèles de réfrigérateurs
à une porte uniquement)64-67
Enlèvement des portes
(modèles de réfrigérateurs
à deux portes uniquement)67, 68
Enlèvement du tiroir
du compartiment congélation62
Installation de la conduite d'eau70-72
Installation du réfrigérateur57-61
Préparation56
Remise en place des portes
(modèles de réfrigérateurs
à deux portes uniquement)69
Remise en place du tiroir
du compartiment congélation63

Conseils de dépannage73-76
Bruits normaux de fonctionnement73

Soutien au consommateur

Feuillet de données relatives à la
performance de la cartouche79
Garantie pour la clientèle au Canada78
Soutien au consommateur80

Transcrivez les numéros de modèle et de série ici :

de modèle _____

de série _____

Ils figurent sur l'étiquette qui se trouve à l'intérieur
du compartiment réfrigérateur en haute à droite.

Mesures de sécurité

Fonctionnement

Installation

Conseils de dépannage

Soutien au
consommateur

MESURES DE SÉCURITÉ IMPORTANTES. LISEZ D'ABORD TOUTES LES DIRECTIVES.

⚠ AVERTISSEMENT!

N'utilisez cet électroménager que pour l'usage auquel il est destiné, comme expliqué dans le présent manuel.

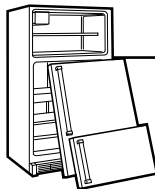


MESURES DE SÉCURITÉ

Lorsque vous utilisez un appareil électrique, observez toujours les mesures de sécurité de base, y compris les suivantes.

- Installez le réfrigérateur conformément aux directives d'installation avant de l'utiliser.
 - Ne laissez pas les enfants grimper, s'asseoir, se tenir debout ni se pendre aux clayettes du réfrigérateur. Ils pourraient endommager le réfrigérateur et se blesser gravement.
 - Ne touchez pas les surfaces froides du congélateur si vous avez les mains humides ou mouillées : la peau risque d'adhérer à ces surfaces très froides.
 - N'entreposez et n'utilisez pas d'essence ou autres vapeurs et liquides inflammables à proximité de cet appareil ou de tout autre appareil électroménager.
 - Si votre réfrigérateur est doté d'une machine à glaçons automatique évitez le contact avec les pièces mobiles du mécanisme éjecteur, ou avec l'élément chauffant situé à la partie inférieure de la machine à glaçons. Ne posez pas les doigts ou les mains sur le mécanisme de la machine à glaçons pendant que le réfrigérateur est branché.
 - Éloignez les doigts des parties du réfrigérateur où l'on peut facilement se pincer : les espaces entre les portes et entre les portes et les placards sont toujours étroits. Soyez prudent lorsque vous fermez les portes de l'appareil en présence des enfants.
 - Débranchez votre réfrigérateur avant de le nettoyer ou de le réparer.
- REMARQUE :** Nous vous recommandons vivement de confier toute réparation à un technicien qualifié.
- Lorsque vous réglez la commande en position **Off (arrêt)** l'alimentation électrique de l'ampoule n'est pas coupée.
 - Ne recongelez pas les aliments surgelés qui ont complètement dégelé.

⚠ DANGER! RISQUES POUR LES ENFANTS COMMENT VOUS DÉBARRASSER CONVENABLEMENT DE VOTRE ANCIEN RÉFRIGÉRATEUR



Les enfants pris au piège ou morts d'asphyxie sont toujours d'actualité. Les réfrigérateurs abandonnés sont toujours aussi dangereux, même si on n'attend que «quelques jours» pour s'en débarrasser. Si vous ne gardez pas votre ancien réfrigérateur, veuillez suivre les directives ci-dessous afin de prévenir les accidents.

Avant de vous débarrasser de votre ancien réfrigérateur ou congélateur :

- Démontez les portes.
- Laissez les clayettes en place afin d'empêcher les enfants de grimper à l'intérieur.

Réfrigérants

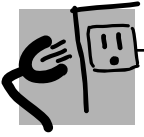
Tous les appareils de réfrigération contiennent des réfrigérants qui, conformément aux lois fédérales, doivent être enlevés avant toute élimination de l'appareil. Si vous vous débarrassez de vieux appareils de réfrigération, vérifiez, auprès de la société qui s'occupe de leur élimination, ce que vous devez faire.

CORDONS PROLONGATEURS

Nous vous recommandons fortement de ne pas utiliser de cordons prolongateurs à cause des risques potentiels qu'ils présentent dans certaines conditions.

Toutefois si vous décidez d'utiliser tout de même un cordon prolongateur, il est absolument nécessaire qu'il s'agisse d'un cordon à 3 fils avec mise à la terre pour appareils électroménagers homologué UL (aux États-Unis) ou certifié CSA (au Canada), pourvu d'une fiche et d'une prise mises à la terre de 15 ampères (minimum) et de 120 volts.

⚠ AVERTISSEMENT!



RACCORDEMENT ÉLECTRIQUE

Ne coupez ni retirez en aucun cas la troisième broche (mise à la terre) de la fiche du cordon d'alimentation. Pour votre sécurité, cet appareil doit être correctement mis à la terre.

Le cordon d'alimentation de cet appareil est muni d'une fiche à 3 broches (mise à la terre) qui se branche dans une prise murale ordinaire à 3 alvéoles (mise à la terre) pour réduire au minimum les risques de chocs électriques.

Faites examiner la prise de courant et le circuit par un électricien qualifié pour vous assurer que la prise est correctement mise à la terre.

Si la prise murale est du type standard à 2 alvéoles, il vous incombe de la faire remplacer par une prise à 3 alvéoles correctement mise à la terre.

Le réfrigérateur doit toujours être branché dans sa propre prise de courant, dont la tension nominale est identique à celle indiquée sur la plaque signalétique.

Cette précaution est recommandée pour garantir un rendement optimum et éviter une surcharge des circuits électriques de la résidence, ce qui pourrait créer un risque d'incendie par surchauffe des fils.

Ne débranchez jamais le réfrigérateur en tirant sur le cordon d'alimentation. Saisissez fermement la fiche du cordon et tirez droit pour la retirer de la prise.

Réparez ou remplacez immédiatement tout cordon effiloché ou endommagé. N'utilisez pas un cordon fendillé ou présentant des signes d'usure.

Lorsque vous déplacez votre réfrigérateur du mur, faites attention de ne pas le faire rouler sur le cordon d'alimentation afin de ne pas l'endommager.



FICHE D'ADAPTATION

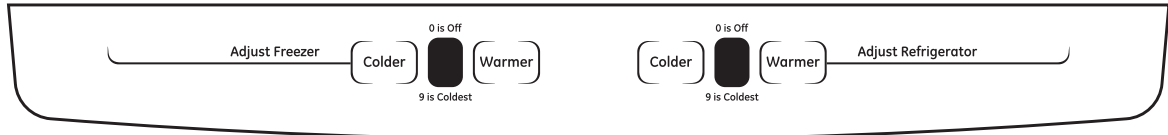
Fiches d'adaptation non permises au Canada.



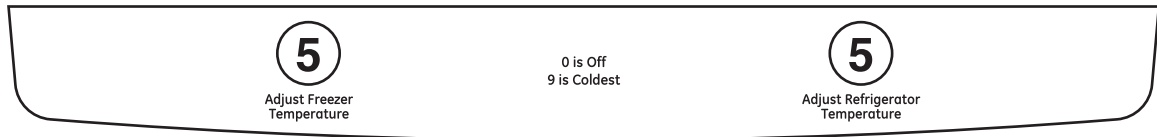
VEUILLEZ LIRE ET SUIVRE ATTENTIVEMENT CES MESURES DE SÉCURITÉ.

CONSERVEZ CES DIRECTIVES

Les commandes avec réglages de température.



(Sur certains modèles)

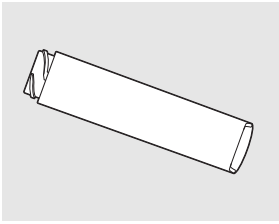


(Sur certains modèles)

NOTE : Le réfrigérateur est expédié avec une pellicule de protection couvrant les commandes digitales de température. Si cette pellicule n'a pas été retirée au cours de l'installation faites-le maintenant.

Réglez le contrôle du réfrigérateur sur **5** et le congélateur sur **5**. Patientez 24 jusqu'à ce que la température se stabilise. Il peut s'avérer nécessaire de procéder à divers réglages. Ajustez les contrôles niveau par niveau, et patientez 24 heures après chaque réglage jusqu'à ce que le réfrigérateur atteigne la température sélectionnée.

Si vous réglez l'un des boutons de contrôle ou les deux sur **0** pour numérique et **0** pour le bouton de commande du réfrigérateur, les compartiments du réfrigérateur et du congélateur s'arrêtent de refroidir, mais le réfrigérateur reste sous tension.



Cartouche du filtre à eau

La cartouche du filtre à eau se trouve dans le coin droit arrière supérieur du compartiment réfrigérateur.

Remplacement du filtre

La cartouche du filtre doit être remplacée lorsque le débit d'eau dans la machine à glaçons diminue, ou bien tous les six mois.

Installation de la cartouche du filtre à eau

- 1 Si vous remplacez la cartouche, d'abord enlevez la vieille cartouche. Ouvrez le couvercle de cartouche en l'appuyant sur le taquet situé à l'avant et en tirant vers le bas.
- 2 Enlevez la cartouche en la faisant tourner doucement dans le sens contraire à celui des aiguilles d'une montre. Un peu d'eau peut tomber.

⚠ MISE EN GARDE : *Si il y a de l'air piégé dans le système, la cartouche de filtre peut être éjectée pendant qu'elle est enlevée. Procédez avec soin pour l'enlever.*

- 3 Enlevez la feuille de protection de l'extrémité de la cartouche.
- 4 En alignant les flèches de la cartouche et du boîtier de cartouche, faites tourner doucement la cartouche dans le sens des aiguilles d'une montre jusqu'à son arrêt. Si la cartouche est correctement installée, vous devez entendre un déclic quand elle s'engage en place. La poignée à l'extrémité de la cartouche doit être placée verticalement. **Ne serrez pas trop fort.**
- 5 Fermez le couvercle de cartouche.

Bouchon de dérivation du filtre

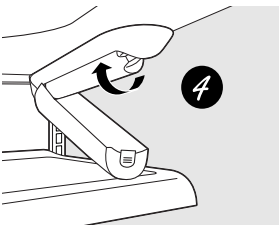
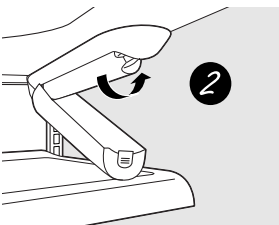
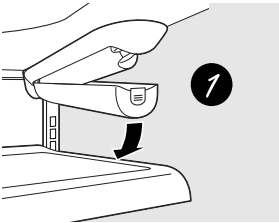
Il faut utiliser le bouchon de dérivation du filtre lorsqu'une cartouche de remplacement n'est pas disponible. Le distributeur et la machine à glaçons ne peuvent pas fonctionner sans le filtre ou sans le bouchon de dérivation du filtre.

Filtres de remplacement :

Pour commander des cartouches supplémentaires, visitez notre site Web à l'adresse www.electromenagersge.ca, ou appelez le Service des pièces et accessoires au 888.261.3055.

Modèle GSWF

Les clients au Canada devraient consulter les pages jaunes pour connaître la succursale Mabe la plus près.



Les clayettes et les balconnets.

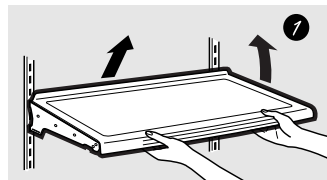
Toutes les caractéristiques ne sont pas disponibles sur tous les modèles.

Mise en place des clayettes

Les clayettes du réfrigérateur sont réglables.

Compartiment réfrigération

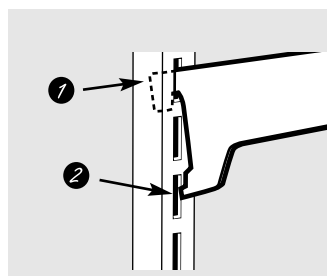
Enlèvement :



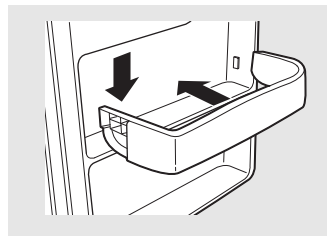
Certains modèles ont des clayettes en fil de fer que vous pouvez régler de la même manière.

- 1 Enlevez tous les articles de la clayette.
- 2 Soulevez la clayette à l'avant.
- 3 Soulevez la clayette à l'arrière et faites-la sortir.

Remise en place :



- 1 En faisant basculer la clayette vers le haut, insérez le crochet supérieur à l'arrière de la clayette dans une fente du rail.
- 2 Abaissez le devant de la clayette jusqu'à ce que le bas de la clayette se fixe en place.

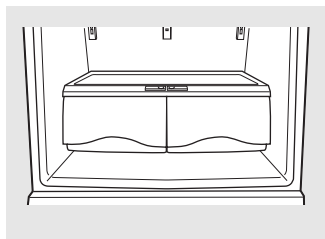


Clayettes non réglables de porte (sur certains modèles)

Enlèvement : Soulevez la clayette droit vers le haut, puis enlevez en soulevant.

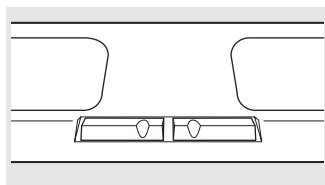
Remise en place : Engagez la clayette dans les soutiens moulés de la porte et poussez vers le bas. Il se fixera en place.

Tous les modèles n'ont pas toutes ces caractéristiques.



Bacs à fruits et légumes

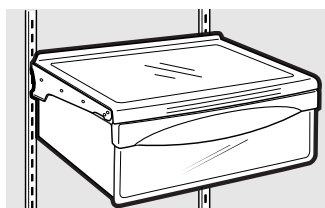
Vous devez bien essuyer toute eau en excès qui peut s'accumuler au fond des bacs ou en dessous des bacs.



Bac à légume à humidité réglable (sur certains modèles)

Faites glisser le réglage en position **HIGH (élevée)** pour obtenir l'humidité maximum qui est recommandée pour la plupart des légumes.

Faites glisser le réglage en position **LOW (basse)** pour obtenir l'humidité minimum qui est recommandée pour la plupart des fruits.



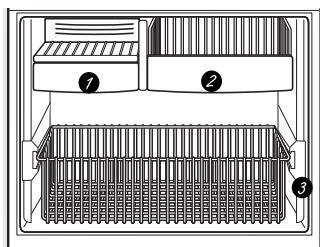
Bac à casse-croûte (sur certains modèles)

Vous pouvez mettre le bac à casse-croûte à l'endroit qui convient le mieux aux besoins de votre famille.

Pour enlever, faites glisser le bac vers l'extérieur jusqu'à sa position **d'arrêt**, soulevez le bac pour lui faire dépasser sa position **d'arrêt** et enlevez-le.

Tiroir du congélateur. (sur certains modèles)

Tous les modèles n'ont pas toutes ces caractéristiques.

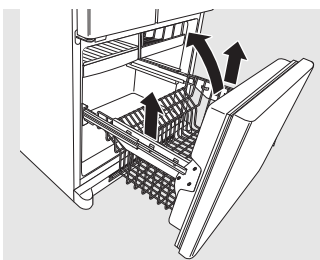


L'apparence et les caractéristiques peuvent varier

Clayettes et paniers du compartiment congélation

- ① Une clayette située au-dessus du bac à glaçons
- ② Un panier sur la moitié de la largeur
- ③ Un panier profond sur toute la largeur

NOTE : Ne remplissez pas les paniers au-delà du bord du panier. Cela pourrait provoquer un bourrage ou coincer le panier, lors de l'ouverture ou de la fermeture.



L'apparence peut varier

Enlèvement du panier

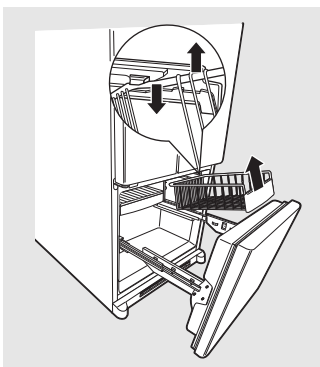
Pour enlever le panier profond sur toute la largeur dans les modèles avec un tiroir de congélation :

- ① Ouvrez le tiroir du compartiment congélation jusqu'à son arrêt complet.
- ② Le panier du compartiment congélation repose sur les taquets intérieurs des guides du tiroir.
- ③ Soulevez le panier afin qu'il se libère des 6 taquets coulissants latéraux.
- ④ Faites basculer le panier et soulevez-le pour le faire sortir du tiroir.

Remplacement du panier profond toute largeur :

Faites basculer le panier vers l'arrière et abaissez-le dans le tiroir. Faites tourner le panier en position horizontale et pressez-le vers le bas dans les six taquets d'alignement.

NOTE : Assurez-vous toujours que le panier est engagé dans les 6 taquets coulissants latéraux avant de le faire glisser à sa place dans le compartiment congélation. Le panier peut être tourné dans n'importe quel sens avant ou arrière, puis être installé dans le compartiment congélation.



L'apparence peut varier

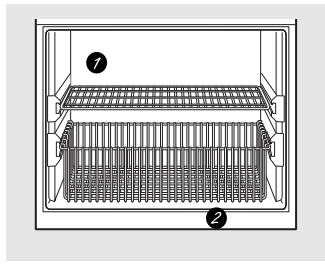
Pour enlever le panier sur la moitié de la largeur :

- ① Tirez le panier hors de son emplacement d'arrêt.
- ② Soulevez le panier à l'avant pour le retirer des crochets de calage sur chaque extrémité.
- ③ Soulevez le panier pour l'extraire des deux côtés.

Quand vous remettez en place le panier, veillez à ce que le panier s'emboîte sous les crochets de calage sur chaque côté.

NOTE : Assurez-vous toujours de bien fermer le panier.

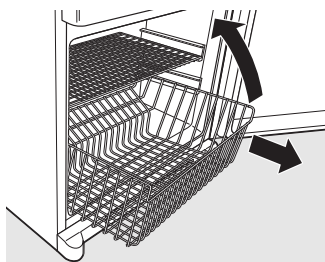
Tous les modèles n'ont pas toutes ces caractéristiques.



Panier et clayette du congélateur

- 1 Une clayette métallique fixe pleine largeur
- 2 Un panier métallique fixe pleine largeur

NOTE : Ne remplissez pas le panier au delà de l'anneau. Le panier pourrait rester coincé ou être encombré lorsque vous l'ouvrez ou le fermez.



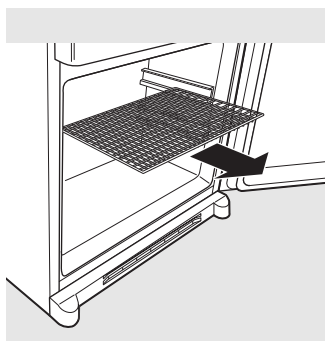
Enlèvement du panier

Pour retirer le panier métallique coulissant pleine largeur sur les modèles de porte :

- 1 Ouvrez le panier au maximum.
- 2 Soulevez l'avant du panier et coulissez droit pour le retirer.

Pour remplacer le panier métallique coulissant pleine largeur :

Introduisez le panier métallique dans les rails de cuve **inférieurs** et repoussez.



Désinstaller la clayette fixe

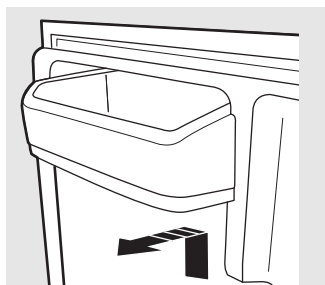
NOTE : La clayette métallique pleine largeur n'a pas été conçue pour coulisser.

Retirer pour la nettoyer :

Tenez la clayette à l'avant et tirez-la avec fermeté vers l'avant.

Pour remplacer la clayette métallique coulissant pleine largeur :

Introduisez la clayette métallique dans les rails de cuve **supérieurs** et repoussez.

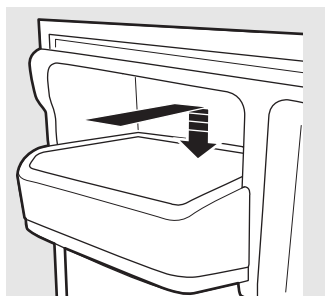


Enlèvement

Clayette non réglable sur la porte du congélateur

Enlèvement : Soulevez la clayette droit vers le haut, puis enlevez en soulevant.

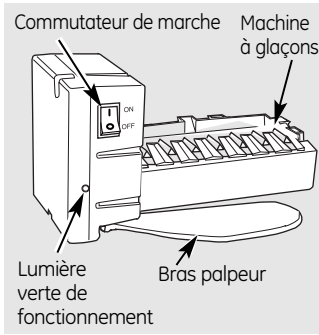
Remise en place : Engagez la clayette dans les soutiens moulés de la porte et poussez vers le bas. Il se fixera en place.



Remise en place

Machine à glaçons automatique. (sur certains modèles)

Il faut prévoir entre 12 et 24 heures avant qu'un réfrigérateur nouvellement installé commence à produire des glaçons.



Machine à glaçons automatique

La machine à glaçons produit sept glaçons par cycle, soit environ 100 à 130 glaçons par 24 heures, selon la température du compartiment congélation, la température de la pièce, le nombre de fois que la porte est ouverte et les autres conditions d'utilisation.

Consultez ci-dessous la manière d'avoir accès aux glaçons et d'atteindre le commutateur de marche.

Si vous faites fonctionner le réfrigérateur avant de raccorder l'eau à la machine à glaçons, mettez le commutateur de marche en position **O (arrêt)**.

Après avoir raccordé le réfrigérateur à l'alimentation d'eau, mettez le commutateur de marche en position **On (marche)**. Le voyant lumineux de la machine à glaçons devient vert quand le commutateur de la lumière du compartiment congélation est pressé ou quand la porte du compartiment congélation est fermée.

La machine à glaçons se remplira d'eau si sa température baisse à -10°C (15°F). Un réfrigérateur nouvellement installé prend de 12 à 24 heures pour commencer à produire des glaçons.

Vous entendrez un bourdonnement chaque fois que la machine à glaçons se remplit d'eau.

Jetez les premiers lots de glaçons pour permettre à la conduite d'eau de se purger.

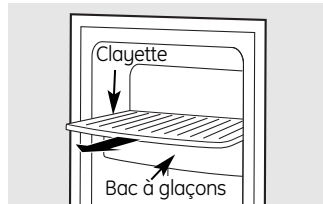
Assurez-vous que rien ne gêne la course du bras palpeur.

Quand le bac se remplit jusqu'au niveau du bras palpeur, la machine à glaçons s'arrête de produire des glaçons. Il est normal de trouver des glaçons qui soient soudés ensemble.

Si vous n'utilisez pas souvent vos glaçons, les vieux glaçons deviennent opaques, prennent un mauvais goût et rétrécissent.

NOTE : Dans les maisons qui ont une pression d'eau plus faible que la moyenne, vous pouvez entendre la machine à glaçons recommencer plusieurs fois son cycle pour produire une livraison de glaçons.

NOTE : Mettez le commutateur de marche en position **O (off) (arrêt)** si l'alimentation d'eau est coupée.

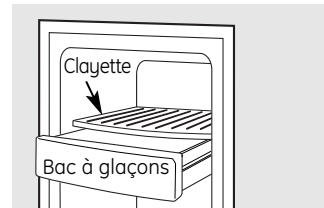


Pour atteindre le commutateur de marche.

Accès aux glaçons et au commutateur de marche

Pour atteindre le commutateur de marche de la machine à glaçons, tirez la clayette située au-dessus du bac à glaçons et faites-la sortir. Assurez-vous toujours de bien la remettre en place.

Pour avoir accès aux glaçons, tirez simplement le bac vers vous.



Pour avoir accès aux glaçons.

Trousse accessoire de machine à glaçons

Si votre réfrigérateur n'est pas déjà équipé d'une machine à glaçons automatique, vous pouvez acheter une trousse accessoire de machine à glaçons.

Vérifiez derrière votre réfrigérateur le modèle de trousse à glaçons que vous devez acheter pour votre réfrigérateur.

Nettoyage de l'extérieur

Les poignées de porte et les garnitures.

Nettoyez avec un linge trempé dans de l'eau savonneuse. Séchez avec un linge doux. N'appliquez pas de cire sur les poignées et les garnitures de porte.

Conservez l'extérieur propre. Essuyez avec un linge propre légèrement humecté de cire à appareil électroménager ou de détersif liquide à vaisselle doux. Séchez et polissez avec un linge doux, propre.

N'essuyez jamais votre réfrigérateur avec un torchon sale ou une serviette mouillée. Cela peut laisser un résidu qui risque d'endommager la peinture. N'utilisez jamais de tampon à récurer, de nettoyant en poudre, d'eau de javel ou de produit nettoyant contenant un agent de blanchiment, car ces produits peuvent rayer et endommager la peinture.

Vous pouvez nettoyer les panneaux et les poignées de porte en acier inoxydable

(sur certains modèles) avec un nettoyant d'acier inoxydable vendu sur le marché. Il vaut mieux utiliser un produit de nettoyage vaporisé pour acier inoxydable.

N'utilisez pas de cire pour appareils ménagers sur l'acier inoxydable.

Nettoyage de l'intérieur

Pour aider à empêcher les odeurs, laissez une boîte ouverte de bicarbonate de soude dans les compartiments réfrigération et congélation.

Débranchez votre réfrigérateur avant de le nettoyer. Si ce n'est pas pratique, enlevez toute humidité au moyen d'une éponge ou d'un chiffon pour nettoyer autour des commutateurs, des lumières ou des réglages.

Utilisez une cire pour appareils électroménagers sur la surface intérieure entre les portes.

Utilisez une solution d'eau chaude et de bicarbonate de soude (15 ml [soit une cuillère à soupe environ] de bicarbonate de soude dans 1 litre [soit une pinte] d'eau). Cette solution nettoie tout en neutralisant les odeurs. Rincez et séchez en essuyant.

Après avoir nettoyé les joints de porte, appliquez une fine couche de vaseline sur les joints du côté des charnières pour empêcher les joints de coller et de se déformer.

Évitez de nettoyer les clayettes froides en verre à l'eau chaude, parce qu'elles risquent de se casser à cause de la grande différence de températures. Manipulez avec soins le verre. Vous pouvez briser en éclats le verre trempé en le heurtant.

Ne lavez aucune pièce en matière plastique de votre réfrigérateur dans votre machine à laver la vaisselle.

Entretien et nettoyage de votre réfrigérateur.

Derrière le réfrigérateur

Prenez un soin particulier lorsque vous éloignez le réfrigérateur du mur. Tous les types de revêtements de sol peuvent être endommagés, particulièrement ceux qui sont coussinés ou dont la surface est gaufrée.

Soulevez les pieds d'inclinaison situés en bas à l'avant de votre réfrigérateur.

Tirez le réfrigérateur en ligne droite et, lorsque vous le remettez en place, poussez-le vers le mur en ligne droite. Les déplacements latéraux du réfrigérateur

pourraient endommager le revêtement de sol ou le réfrigérateur.

Abaissez les pieds d'inclinaison jusqu'à ce qu'ils touchent le sol.

Lorsque vous remettez le réfrigérateur en place en le poussant, veillez à ne pas le faire rouler sur le cordon d'alimentation ou sur la conduite d'eau de la machine à glaçons (sur certains modèles).

Départ en vacances

Lorsque vous vous absentez pendant une période prolongée, videz et débranchez le réfrigérateur. Nettoyez l'intérieur avec une solution d'eau et de bicarbonate de soude, à raison 15 ml (d'une cuillère à soupe) de bicarbonate par litre (1 pinte) d'eau. Laissez les portes ouvertes.

Mettez l'interrupteur d'alimentation de la machine à glaçons à la position **O (arrêt)** et fermez l'alimentation d'eau au réfrigérateur.

Si la température risque de descendre sous le point de congélation, demandez à un réparateur de vidanger la conduite d'eau afin d'éviter les dégâts sérieux causés par les inondations.

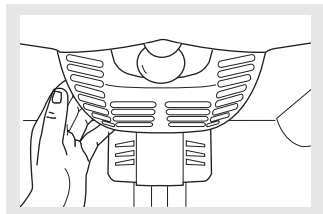
Déménagement

Immobilisez tous les éléments amovibles, tels que les clayettes et les bacs, à l'aide de ruban gommé pour éviter de les endommager.

Si vous utilisez un charriot pour déménager le réfrigérateur, ne laissez jamais le devant ou le derrière du réfrigérateur reposer contre le charriot. Cela pourrait endommager le réfrigérateur. Ne transportez le réfrigérateur que par les côtés.

Assurez-vous que le réfrigérateur demeure debout pendant son déménagement.

Lorsque vous réglez les commandes en position **Off (arrêt)**, l'alimentation électrique de l'ampoule n'est pas coupée.



Lumières du compartiment réfrigération

⚠ MISE EN GARDE :

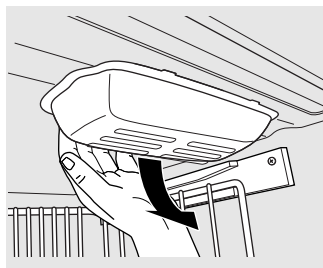
Les ampoules électriques peuvent être brûlantes.

- 1 Débranchez le réfrigérateur.
- 2 Pour enlever le pare-lumière, saisissez l'arrière de le pare-lumière et tirez-le pour le libérer de ses taquets à l'arrière.
- 3 Faites tourner le pare-lumière vers le bas, puis tirez pour libérer les taquets à l'avant de le pare-lumière.

4 Après avoir remplacé l'ampoule par une ampoule d'appareil électroménager de même voltage ou d'un voltage plus bas, remettez en place le pare-lumière.

5 Rebranchez le réfrigérateur.

NOTE : Vous pouvez commander des ampoules pour appareils électroménagers en téléphonant au service de pièces et accessoires GE, au 1.888.261.3055.



L'apparence peut varier

Lumière du compartiment congélation

⚠ MISE EN GARDE :

Les ampoules électriques peuvent être brûlantes.

- 1 Débranchez le réfrigérateur.
- 2 L'ampoule est située en haut du compartiment congélation à l'intérieur d'un pare-lumière. Pour enlever le pare-lumière, saisissez l'arrière de le pare-lumière et tirez-le pour le libérer de ses taquets à l'arrière.
- 3 Faites tourner le pare-lumière vers le bas, puis tirez pour libérer les taquets à l'avant de le pare-lumière.

4 Après avoir remplacé l'ampoule par une ampoule d'appareil électroménager de même voltage ou d'un voltage plus bas, remettez en place le pare-lumière.

5 Rebranchez le réfrigérateur.

Instructions d'installation

Réfrigérateur

Modèles 20 et 22

Questions? Appelez le 1.800.561.3344 ou Visitez notre site Web à l'adresse : www.electromenagersge.ca

AVANT DE COMMENCER

Veillez lire toutes les directives attentivement.

- **IMPORTANT** — Conservez ces instructions pour l'inspecteur local.
- **IMPORTANT** — Respectez toutes les ordonnances et les codes locaux.
- **Note à l'installateur** – Assurez-vous de laisser ces instructions au consommateur.
- **Note au consommateur** – Conservez ces instructions pour référence future.
- **Niveau de compétence** – L'installation de cet appareil nécessite des compétences mécaniques de base.
- **Temps d'installation** – Installation du réfrigérateur 20 minutes
Installation de la conduite d'eau 30 minutes
- L'installateur est responsable de bien installer ce réfrigérateur.
- Toute panne du produit due à une mauvaise installation n'est pas couverte par la garantie.

PRÉPARATION

DÉPLACEMENT DU RÉFRIGÉRATEUR À L'INTÉRIEUR DE LA MAISON

Si le réfrigérateur ne peut pas passer par la porte, vous pouvez enlever la porte du compartiment réfrigération et le tiroir du compartiment congélation.

- Pour enlever la porte du compartiment réfrigération, consultez l'étape 1 de la section *Changement de sens d'ouverture de la porte*.
- Pour enlever le tiroir du compartiment congélation, consultez la section *Enlèvement du tiroir du compartiment congélation*.

PRÉPARATION (suite)

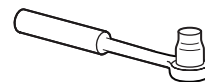
ALIMENTATION D'EAU DE LA MACHINE À GLAÇONS ET DU DISTRIBUTEUR (SUR CERTAINS MODÈLES)

Si votre réfrigérateur est doté d'une machine à glaçons, la machine à glaçons doit être raccordée à une conduite d'eau froide. Vous pouvez acheter une trousse d'alimentation d'eau GE (contenant la tuyauterie, le robinet d'arrêt, les joints et les instructions) chez votre revendeur ou en vous adressant à notre site Web à l'adresse www.electromenagersge.ca ou à notre service de Pièces et accessoires au numéro de téléphone 1.888.261.3055.

OUTILS DONT VOUS POUVEZ AVOIR BESOIN



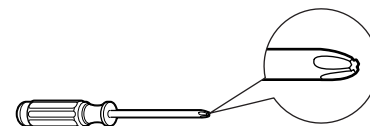
Clé réglable



Tournevis à cliquet de 3/8 po et de 5/16 po



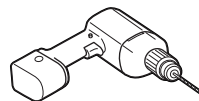
Écrou à compression d'un diamètre extérieur de 1/4 po et bague (modèles avec machine à glaçons seulement)



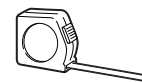
Tournevis cruciforme



Clé à six pans de 3/32 po, 1/8 po et 3/16 po



Perceuse à main ou électrique et mèche de 1/8 po



Mètre



Crayon



Tourne-écrou de 1/4 po



Cisaille



Niveau

INSTALLATION DU RÉFRIGÉRATEUR

EMPLACEMENT DU RÉFRIGÉRATEUR

- N'installez jamais votre réfrigérateur dans un emplacement où la température ambiante sera inférieure à 16° C (60° F). Il ne se mettra pas en marche suffisamment souvent pour maintenir des températures convenables.
- N'installez jamais votre réfrigérateur dans un emplacement où la température ambiante sera supérieure à 37° C (100° F). Il ne fonctionnera pas bien.
- Installez votre réfrigérateur sur un plancher suffisamment solide pour le porter lorsqu'il est plein.

DÉGAGEMENTS

Prévoyez les dégagements suivants pour faciliter l'installation, la bonne circulation d'air et les raccordements de plomberie et d'électricité :

	Modèles de profondeur normale
Côtés	3 mm (1/8 po)
Dessus	25 mm (1 po)
Arrière	25 mm (1 po)

ENLEVEZ LE CAPUCHON DU HAUT (sur certains modèles)

- **NOTE IMPORTANTE :** Ce réfrigérateur a une profondeur de 34-1/2 po. Les portes et les passages qui mènent à l'endroit où vous désirez l'installer doivent avoir une largeur du moins de 36 po., pour permettre de transporter le réfrigérateur jusqu'à cet endroit sans être obligé d'enlever les portes et les poignées. Si le passage a moins que 36 po. de largeur, vous risquez vraiment de rayer et d'endommager les portes et les poignées de votre réfrigérateur. Vous pouvez enlever facilement le capuchon du haut et les portes pour déplacer plus aisément le réfrigérateur chez vous. Commencez par l'étape A.
- Si vous n'avez pas à enlever les portes, passez directement à l'étape B. Laissez le ruban et tous les matériaux d'emballage sur les portes, jusqu'à ce que vous ayez déménagé le réfrigérateur dans son emplacement final.
- **ENLÈVEMENT DU PATIN DE GLISSEMENT :** Faites basculer le réfrigérateur de chaque côté pour enlever le patin de glissement.
- **NOTE :** Utilisez un chariot manuel rembourré pour déplacer le réfrigérateur. Placez le réfrigérateur sur le chariot manuel avec un côté contre le chariot. Nous vous recommandons vivement d'utiliser **DEUX PERSONNES** pour déplacer le réfrigérateur et l'installer.

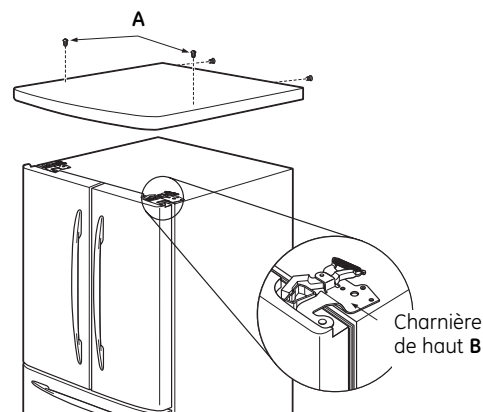
- A** Trouvez et enlevez les deux vis à tête Phillips situées en haut du réfrigérateur. Enlevez les deux vis situées de chaque côté à l'arrière du capuchon du haut. Soulevez et enlevez le capuchon du haut.
- B** Enlevez la (les) porte(s) du compartiment aliments frais. Consultez les étapes 1 et 3 de la section « Changement du sens d'ouverture des portes » ou les étapes 1 et 2 de la section « Elevation des portes ».

ENLEVEZ LE CAPUCHON DU HAUT (suite) (sur certains modèles)

- C** Enlevez le tiroir ou la porte du compartiment congélation du bas. Consultez la section « Enlèvement du tiroir du compartiment congélation » ou l'étape 2 de la section « Changement du sens d'ouverture des portes ».
- D** Amenez le réfrigérateur jusqu'à l'emplacement où vous désirez l'installer.

REMETTEZ EN PLACE LES PORTES, LES TIROIRS ET LE CAPUCHON DU HAUT

- E** Abaissez soigneusement la (les) porte(s) dans la (les) charnière(s) centrale. Remettez en place la (les) charnière(s) du haut. **NOTE :** Veillez à ce que la porte soit bien alignée au sommet de l'armoire pour éviter de la réajuster pendant la remise en place du capuchon du haut.
- F** Placez le capuchon en haut du réfrigérateur. Remettez en place les vis que vous avez enlevées en haut et à l'arrière du capuchon.
- G** Remettez en place le tiroir ou la porte du compartiment congélation du bas. Consultez la section « Remise en place du tiroir du compartiment congélation » ou l'étape 8 de la section « Changement du sens d'ouverture des portes ».



1 BRANCHEMENT DU RÉFRIGÉRATEUR À LA CONDUITE D'EAU DE LA MAISON (modèles avec machine à glaçons)

Une alimentation d'eau froide est requise pour faire fonctionner la machine à glaçons. Vous devrez en fournir une si elle n'existe pas. Voir la section *Installation de la conduite d'eau*.

NOTES :

- Avant de brancher la conduite au réfrigérateur, assurez-vous que le cordon d'alimentation électrique n'est pas branché à la prise murale.
- Si votre réfrigérateur n'est pas équipé de filtre à eau, nous recommandons d'en monter un si votre alimentation d'eau contient du sable ou des particules qui peuvent boucher la grille du robinet d'eau du réfrigérateur. Installez-le sur la conduite d'eau près du réfrigérateur. Si vous utilisez une trousse GE SmartConnect™ Refrigerator Tubing, vous aurez besoin d'un tuyau additionnel (WX08X10002) pour brancher le filtre. Ne coupez pas le tuyau de plastique pour installer le filtre.

Instructions d'installation

1 BRANCHEMENT DU RÉFRIGÉRATEUR À LA CONDUITE D'EAU DE LA MAISON (suite)

A Si vous utilisez un tuyau de cuivre, placez un écrou de compression et une bague (manchon) à l'extrémité du tuyau qui vient de l'alimentation d'eau froide de la maison.

Si vous utilisez un tuyau GE SmartConnect™, les écrous sont déjà assemblés au tuyau.

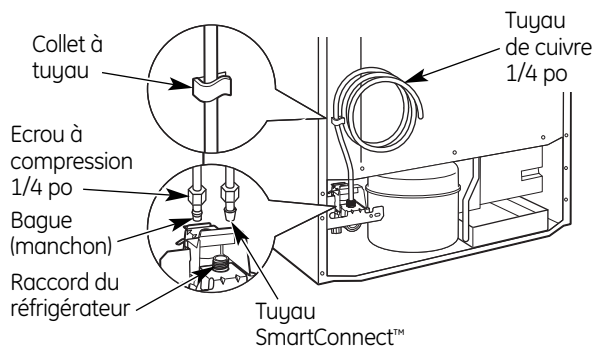
B Si vous utilisez un tuyau de cuivre, insérez aussi loin que possible l'extrémité du tuyau dans le raccord à l'arrière du réfrigérateur. Tout en tenant le tuyau, serrez le raccord.

Si vous utilisez un tuyau GE SmartConnect™, insérez l'extrémité moulée du tuyau dans le raccord à l'arrière du réfrigérateur, puis serrez l'écrou à compression à la main. Serrez ensuite un autre tour à l'aide d'une clé. Un serrage excessif pourrait occasionner des fuites.

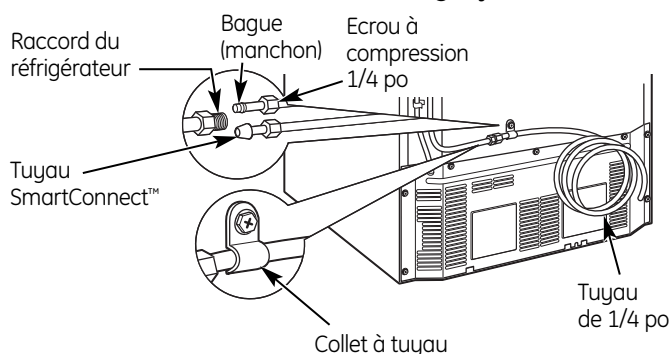
C Fixez le tuyau dans le collet (fourni) pour le maintenir en position. Il est possible que vous deviez écarter le collet.

L'une des illustrations ci-dessous représente le branchement de votre réfrigérateur.

Modèles prêts à recevoir une machine à glaçons

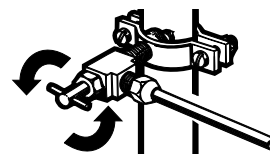


Modèles dotés d'une machine à glaçons



2 OUVREZ L'ALIMENTATION D'EAU (modèles avec machine à glaçons)

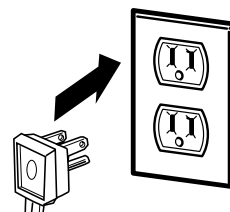
Ouvrez l'alimentation d'eau au niveau du robinet d'arrêt (l'alimentation d'eau de la maison) et vérifiez la présence de fuites.



3 BRANCHEZ LE CORDON DU RÉFRIGÉRATEUR DANS LA PRISE

Sur modèles avec machine à glaçons : avant de brancher le réfrigérateur, assurez-vous que l'interrupteur de la machine à glaçons est à la position **O** (arrêt).

Lisez l'étiquette concernant la mise à la terre qui est attachée au cordon d'alimentation.



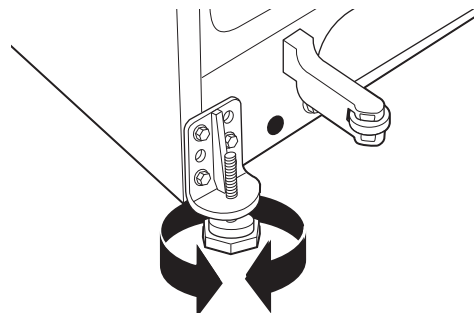
4 METTEZ LE RÉFRIGÉRATEUR EN PLACE

Transportez le réfrigérateur jusqu'à son emplacement final.

5 METTEZ DE NIVEAU LE RÉFRIGÉRATEUR

Les **patte**s réglables des coins avant du réfrigérateur doivent être ajustées pour que le réfrigérateur repose solidement sur le sol et pour que l'avant soit suffisamment levé afin que la porte se ferme facilement, lors de son ouverture à moitié chemin.

Pour ajuster les **patte**s réglables, tournez-les dans le **sens horaire** pour lever le réfrigérateur et dans le **sens antihoraire** pour le baisser.



INSTALLATION DU RÉFRIGÉRATEUR (SUITE)

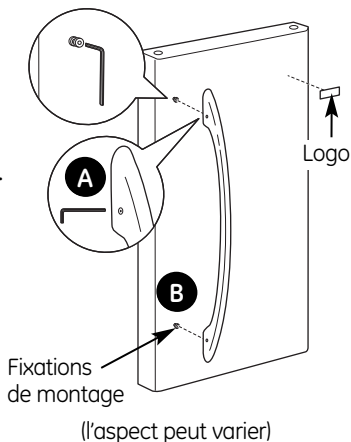
6 ENLEVEZ LA POIGNÉE DE PORTE DU COMPARTIMENT POUR ALIMENTS FRAIS

(Pour placer dans l'emplacement de l'installation ou changer le sens d'ouverture des portes – sur certains modèles)

Poignée en acier inoxydable (sur certains modèles) :

- A** ENLÈVEMENT DE LA POIGNÉE DE PORTE :
Desserrez les vis de l'ensemble à l'aide d'une clé Allen de 3/32 po. et enlevez la poignée.

NOTE : Pour les modèles à deux portes, suivez la même procédure pour la porte opposée.

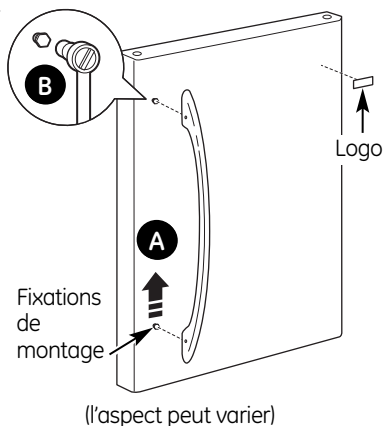


Poignée en matière plastique (sur certains modèles) :

- A** ENLÈVEMENT DE LA POIGNÉE DE PORTE :
Appuyez sur le taquet situé à l'intérieur de la poignée et faites glisser la poignée vers le haut pour la faire sortir de la fixation de montage.

- B** CHANGEMENT DU SENS D'OUVERTURE DE LA POIGNÉE DE PORTE :
(sur certains modèles)

- Enlevez les fixations de montage de la poignée à l'aide d'une clé Allen de 3/16 po et faites passer les fixations de montage de la poignée du côté gauche au côté droit.
 - Enlevez le logo.
 - Enlevez et faites passer de l'autre côté le bouchon du côté droit au côté gauche de la porte du compartiment aliments frais.
- NOTE :** Utilisez une lame en matière plastique pour éviter d'endommager la porte. Enlevez toute colle de la porte à l'aide d'un détergent doux. Enlevez le papier adhésif de l'arrière du logo avant de fixer le logo soigneusement à la porte.

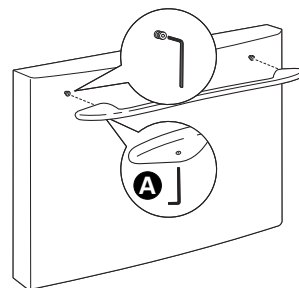


7 ENLEVEZ LA POIGNÉE DE LA PORTE DU COMPARTIMENT CONGÉLATION

Poignées en acier inoxydable et en matière plastique :

- A** Desserrez les vis de l'ensemble situées en bas de la poignée à l'aide de la clé Allen de 1/8 po et enlevez la poignée.

NOTE : Si vous devez resserrer ou enlever les fixations de montage de la poignée, utilisez la clé Allen de 3/16 po.



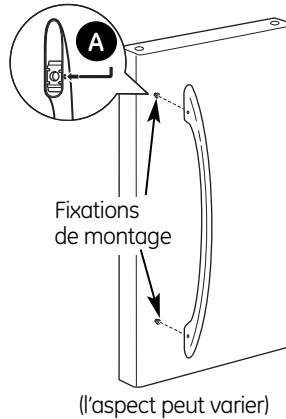
Instructions d'installation

8 FIXEZ LA POIGNÉE DE LA PORTE DU COMPARTIMENT ALIMENTS FRAIS

Poignée en acier inoxydable :

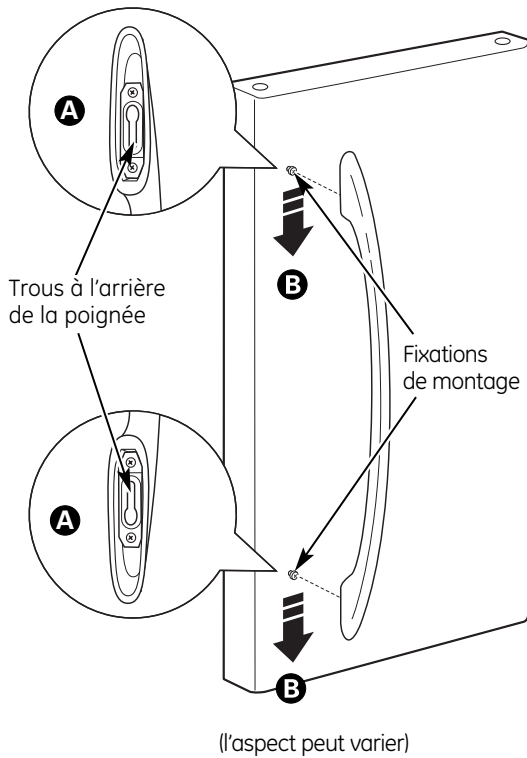
- A** Fixez la poignée aux fixations de montage de la poignée et resserrez les vis de l'ensemble à l'aide d'une clé Allen de 3/32 po.

NOTE : Pour les modèles à deux portes, suivez la même procédure pour la porte opposée.



Poignée en matière plastique :

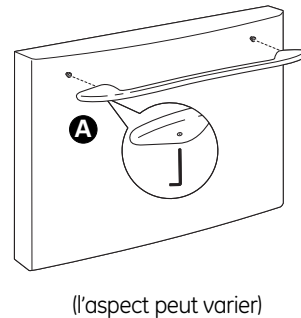
- A** Fixez la poignée aux fixations de montage de la poignée en alignant les fentes aux fixations de montage de poignée.
- B** Faites glisser la poignée vers le bas jusqu'à ce qu'elle soit bien fixée en position.



9 FIXEZ LA POIGNÉE DE LA PORTE DU COMPARTIMENT CONGÉLATION

Poignées en acier inoxydable et en matière plastique :

- A** Fixez bien la poignée aux fixations de montage de la poignée et resserrez les vis de l'ensemble situées en bas de la poignée à l'aide d'une clé Allen de 1/8 po.



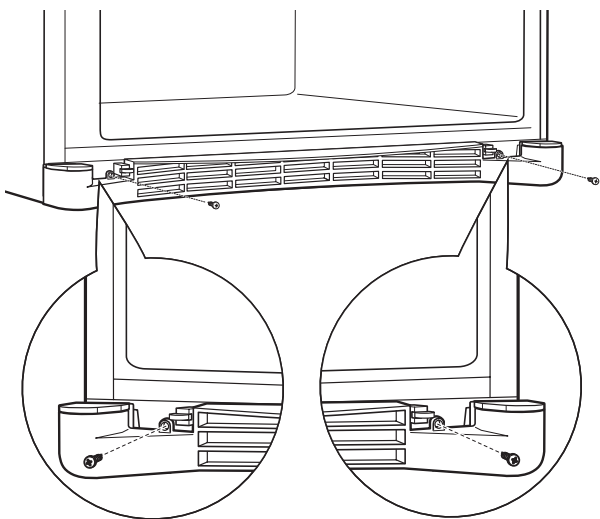
INSTALLATION DU RÉFRIGÉRATEUR (SUITE)

10 METTEZ LE RÉFRIGÉRATEUR DE NIVEAU

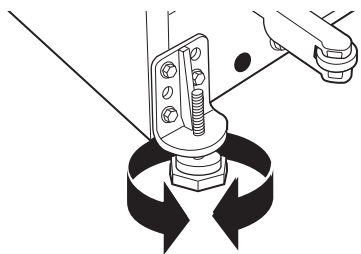
Les pieds de nivellement jouent deux rôles :

- 1) Elles peuvent être réglées de manière à permettre à l'appareil de reposer solidement sur le sol.
- 2) Les pieds de nivellement servent de frein de stabilisation, pour tenir le réfrigérateur bien en place pendant son fonctionnement et son nettoyage. Les pieds d'inclinaison empêchent également le réfrigérateur de basculer.

- A** Enlevez la grille en dévissant les deux vis à tête Phillips.



- B** Tournez les pieds dans le sens des aiguilles d'une montre pour faire monter le réfrigérateur, dans le sens opposé à celui des aiguilles d'une montre pour le faire descendre.

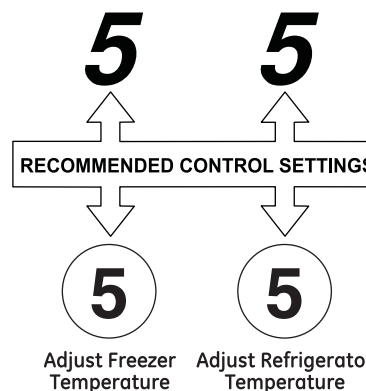
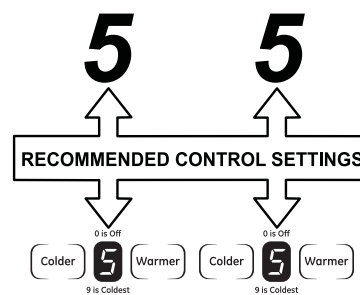


⚠ PRÉCAUTION : Pour éviter tous risques de blessures corporelles ou de dommages matériels, les pieds de nivellement doit bien reposer sur le plancher.

- C** Remettez la grille en remettant les deux vis à tête Phillips.

11 RÉGLEZ LES COMMANDES

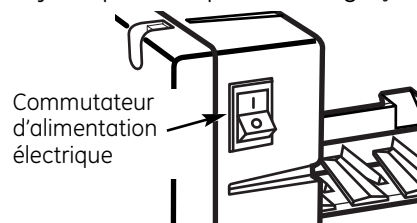
Réglez les commandes selon les recommandations.



12 ENLEVEZ LES MATÉRIAUX D'EMBALLAGE ET METTEZ EN MARCHÉ LA MACHINE À GLAÇONS (modèles avec machine à glaçons)

- A** Enlevez tous les matériaux d'emballage (rubans, mousse et autre protection) des clayettes et des tiroirs.
- B** Enlevez les arrimages des bacs du compartiment congélation.
- C** Placez le demi bac dans les rails à tiroir. Consultez les instructions de la section « Compartiment congélation ».

Mettez le commutateur de la machine à glaçons en position **I (marche)**. La machine à glaçons ne se met en marche que lorsqu'elle atteint une température de fonctionnement de -9°C (15°F) ou moins. Elle commence immédiatement à fonctionner. Il faudra 2 à 3 jours pour remplir le bac à glaçons.



NOTE :

Si votre pression d'eau est trop faible, le robinet peut se remettre en marche jusqu'à trois fois pour envoyer suffisamment d'eau à la machine à glaçons.

Instructions d'installation

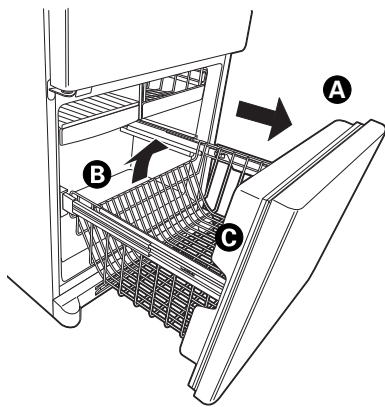
ENLÈVEMENT DU TIROIR DU COMPARTIMENT CONGÉLATION (sur certains modèles)

Vous pouvez enlever le tiroir du compartiment congélation, si nécessaire, pour passer par des endroits étroits.

Lisez ces instructions avec soin et complètement.

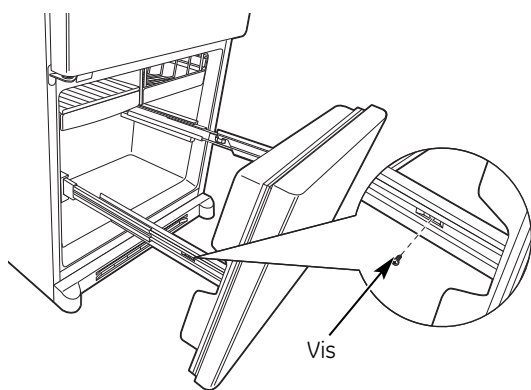
1 ENLEVEZ LE PANIER

- A** Ouvrez le tiroir du compartiment congélation jusqu'à son arrêt complet.
- B** Le panier du compartiment congélation repose sur un cadre à l'intérieur du tiroir du compartiment congélation. Soulevez l'arrière du panier.
- C** Soulevez l'avant du panier et soulevez l'ensemble du panier pour l'enlever et enlevez-le complètement.



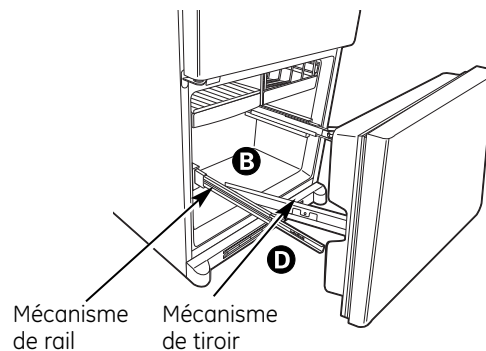
2 ENLEVEZ L'AVANT DU TIROIR

- A** Enlevez la vis de chaque côté des rails.



2 ENLEVEZ L'AVANT DU TIROIR (suite)

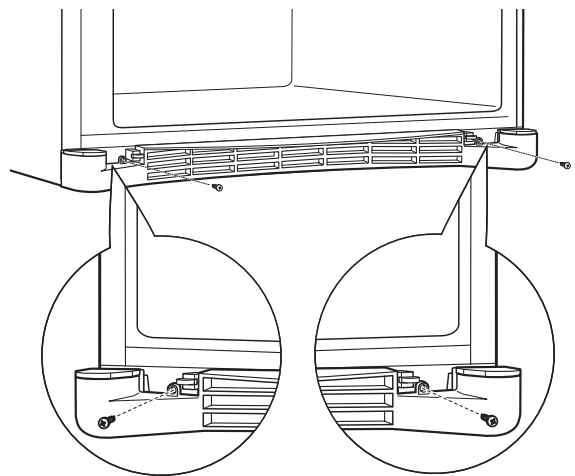
- B** Soulevez les deux côtés de la poignée du tiroir du compartiment congélation pour séparer les rails du tiroir du mécanisme de rails.
- C** Posez l'avant du tiroir sur une surface qui ne raye pas.
- D** Repoussez les mécanismes de rail en position de verrouillage.



3 ENLÈVEMENT LA GRILLE DE BASE (si nécessaire)

Si, après avoir enlevé le tiroir du compartiment congélation et la porte du compartiment réfrigération, le réfrigérateur ne peut toujours pas passer par une porte, vous pouvez enlever la grille de base.

- A** Enlevez la grille de base en dévissant les deux vis.



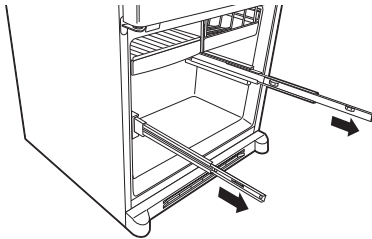
Instructions d'installation

REMISE EN PLACE DU TIROIR DU COMPARTIMENT CONGÉLATION (sur certains modèles)

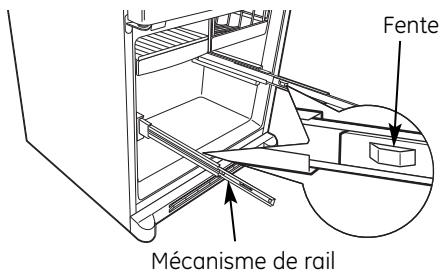
I Vous aurez peut-être besoin de deux personnes pour terminer cette procédure.

1 PLACEMENT ET FIXATION DE L'AVANT DU TIROIR AUX GUIDES

A Tirez les mécanismes de rail à fond de chaque côté de l'armoire.

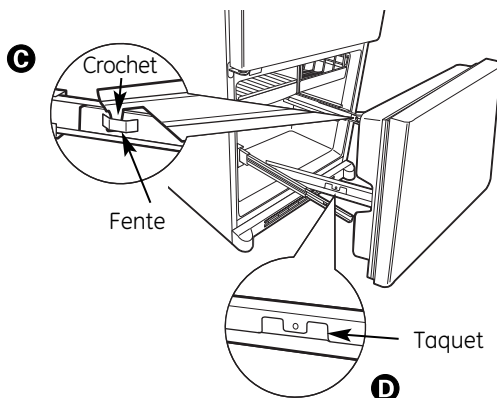


B Trouvez les fentes à l'intérieur des mécanismes de rail, vers l'arrière.



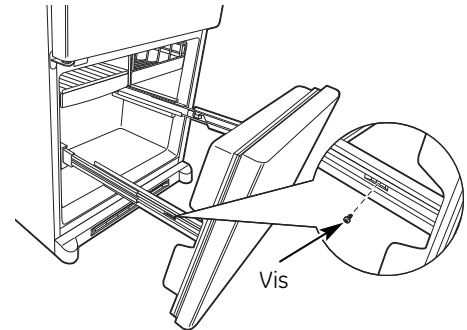
C Insérez les crochets situés à l'arrière des rails du tiroir dans les fentes des mécanismes de rail.

D Abaissez l'avant du tiroir, en vous assurant que les taquets des deux côtés des rails entrent dans les fentes à l'avant des mécanismes de rail.



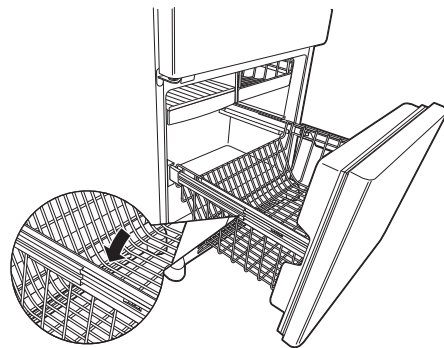
1 PLACEMENT ET FIXATION DE L'AVANT DU TIROIR AUX GUIDES (suite)

E Remettez en place les vis sur les deux mécanismes de rail.



2 REMISE EN PLACE DU PANIER DU COMPARTIMENT CONGÉLATION

Remettez en place le panier du bas du compartiment congélation en l'abaissant dans son cadre.



Instructions d'installation

CHANGEMENT DU SENS D'OUVERTURE DES PORTES (modèles de réfrigérateurs à une porte uniquement)

NOTES IMPORTANTES

Pour changer le sens d'ouverture des portes :

NOTE : Vous ne pouvez pas changer le sens d'ouverture des portes sur les modèles en acier inoxydable.

- Lisez les instructions jusqu'à la fin avant de commencer.
- Les pièces sont comprises dans l'ensemble de charnière de porte.
- Manipulez les pièces avec soin pour éviter de rayer la peinture.
- Posez les vis près des pièces qu'elles fixent, pour éviter de les utiliser au mauvais endroit.
- Prévoyez une surface de travail qui ne raje pas les portes.

IMPORTANT : Une fois que vous aurez commencé, ne bougez plus l'armoire avant d'avoir fini de changer le sens d'ouverture des portes.

Ces instructions sont données pour faire passer à gauche les charnières situées du côté droit. Si vous voulez remettre les charnières à droite, suivez ces instructions en remplaçant toutes les références au côté gauche par des références au côté droit.

- Une fois que vous aurez changé le sens d'ouverture de la porte, assurez-vous que le logo soit bien aligné et bien fixé à la porte en enlevant le papier adhésif au verso.

NOTE : Un logo de rechange est compris dans l'ensemble de charnière.

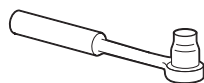
Débranchez le réfrigérateur de sa prise électrique.

Videz toutes les clayettes de porte, y compris le compartiment laitier.

OUTILS NÉCESSAIRES



Clé réglable



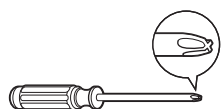
Tournevis à cliquet de 5/16 po



Ruban masque



Tournevis à lame mince



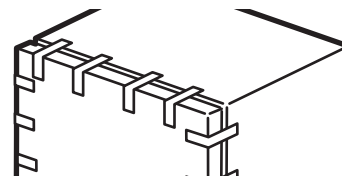
Tournevis cruciforme



Tournevis Torx T20

1 ENLÈVEMENT DE LA PORTE DU COMPARTIMENT RÉFRIGÉRATION

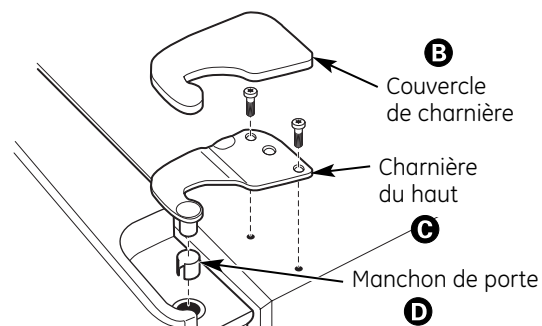
- A** Fermez la porte et attachez-la avec le ruban masque.



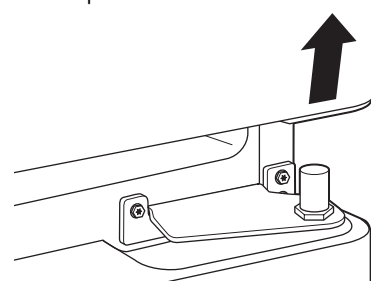
- B** Enlevez le couvercle de la charnière du haut de la porte du compartiment réfrigération en faisant doucement levier vers le haut avec un couteau de vitrier, si nécessaire.

- C** À l'aide d'un tournevis à cliquet de 5/16 po, enlevez les boulons qui fixent à l'armoire la charnière du haut. Ensuite, soulevez la charnière tout droit vers le haut pour libérer l'axe de la charnière du support situé en haut de la porte.

- D** Sortez doucement le manchon de porte de son emplacement. Il sera réutilisé pour installer la porte de l'autre côté.



- E** Enlevez le ruban masque et écartez la porte de l'armoire en la soulevant. Enlevez la porte de l'axe de la charnière du centre. Assurez-vous que la bague de l'axe de charnière de plastique demeure sur l'axe de charnière ou à l'intérieur du trou de l'axe de charnière de la porte, situé en bas de la porte.

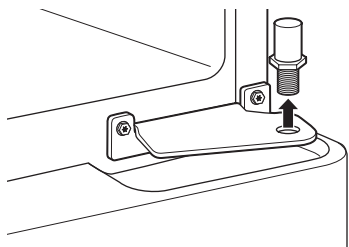


- F** Posez la porte sur une surface qui ne raje pas, avec l'intérieur vers le haut.

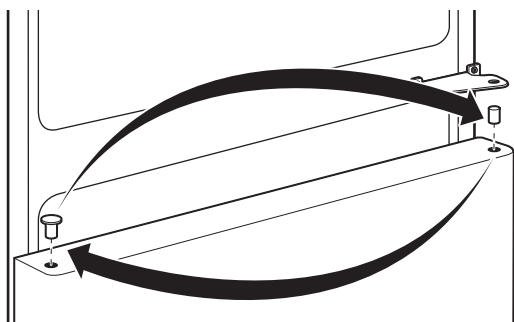
Instructions d'installation

2 ENLÈVEMENT DE LA PORTE DU COMPARTIMENT CONGELATION

- A** Fermez la porte et attachez-la avec le ruban masque.
- B** Retirez le gond du support charnière. Il sera utilisé à nouveau avec le support charnière neuf l'autre côté.



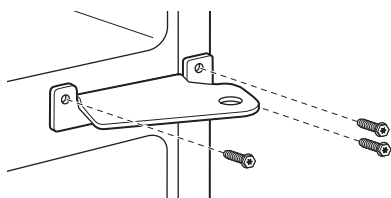
- C** Enlevez le ruban masque et écartez la porte de l'armoire en la soulevant. Enlevez la porte de l'axe de la charnière du bas.
- D** Retirez le bouchon du bouton du côté gauche de la porte. Retirez la bague de la porte du côté droit de la porte. Installez la bague de la porte dans le trou sur la gauche et le bouchon du bouton dans le trou sur la droite.



- E** Posez la porte sur une surface qui ne raye pas, avec l'intérieur vers le haut.

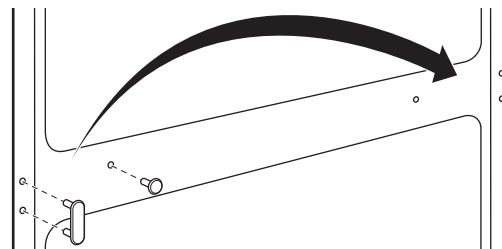
3 TRANSFERT BRACKET DE LA CHARNIÈRE DU CENTRE

- A** À l'aide d'une clé à cliquet/douilles 5/16 po, retirez les boulons fixant la charnière centrale à l'armoire.

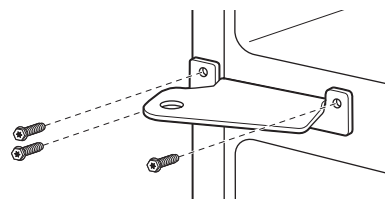


3 TRANSFERT BRACKET DE LA CHARNIÈRE DU CENTRE (suite)

- B** Faites passer le bouton et le couvercle des trous de charnière du côté gauche au côté droit.

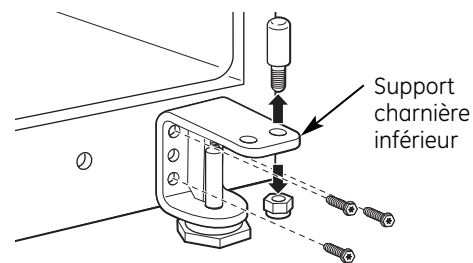


- C** Installez le support à charnière centrale à partir du kit placé sur le côté gauche.

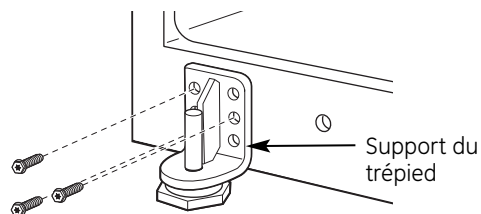


4 COMMENT RETIRER LA CHARNIÈRE ET LE TRÉPIED

- A** À l'aide d'une clé à cliquet/douilles 1/2 po, retirez l'écrou et l'axe de charnière du support charnière avec le trépid. À l'aide d'une clé à cliquet/douilles 5/16 po, retirez les vis du support charnière inférieur.



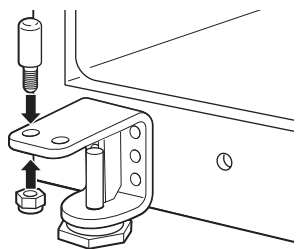
- B** Ces éléments seront réinstallés sur l'autre extrémité. À l'aide d'une clé à cliquet/douilles 5/16 po, retirez les vis du support du trépid sur l'autre côté. Ces éléments seront réinstallés sur l'autre côté.



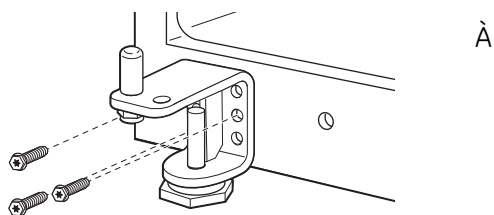
CHANGEMENT DU SENS D'OUVERTURE DES PORTES (modèles de réfrigérateurs à une porte uniquement) (SUITE)

5 COMMENT INSTALLER LA CHARNIÈRE INFÉRIÈRE ET LE TRÉPIED

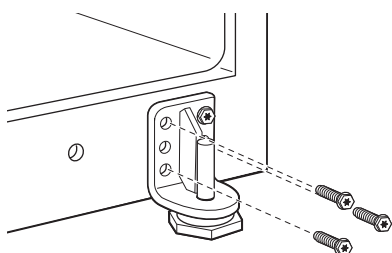
- A** À l'aide d'une clé à cliquet/douilles 1/2 po, installez l'axe de charnière et l'écrou dans le trou opposé du support charnière avec le trépied.



- B** À l'aide d'une clé à cliquet/douilles 5/16 po, installez le support charnière avec le trépied sur le côté gauche du réfrigérateur. L'axe sera placée vers l'extérieur du réfrigérateur.



- C** À l'aide d'une clé à cliquet/douilles 5/16 po, installez le support du trépied sur le côté droit du réfrigérateur.

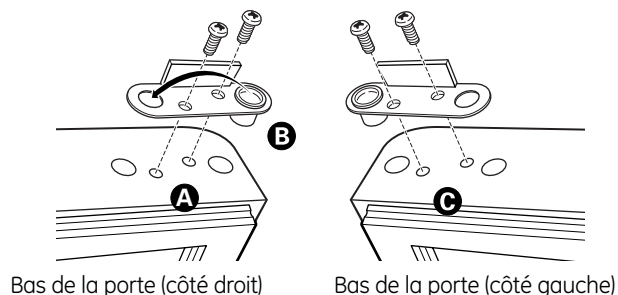


6 TRANSFERT DE L'ARRÊT DE LA PORTE DU COMPARTIMENT RÉFRIGÉRATION ET CONGÉLATION

- A** Enlevez l'arrêt de la porte situé en bas à droite de la porte en enlevant les deux vis.
- B** Faites passer la bague du trou de charnière en matière plastique dans le trou opposé.

6 TRANSFERT DE L'ARRÊT DE LA PORTE DU COMPARTIMENT RÉFRIGÉRATION ET CONGÉLATION (suite)

- C** Installez l'arrêt de la porte à gauche, en vous assurant de bien aligner les trous de vis de l'arrêt de la porte aux trous du bas de la porte.

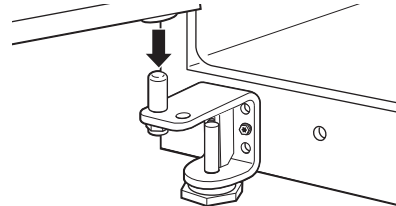


7 TRANSFERT À DROITE DE LA POIGNÉE DE LA PORTE DU COMPARTIMENT RÉFRIGÉRATION

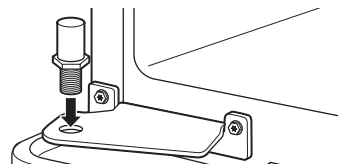
Consultez les sections Enlevez la poignée du compartiment aliments frais et Fixez la poignée du compartiment aliments frais pour des instructions.

8 COMMENT RACCROCHER LE PORTE DU CONGÉLATEUR

- A** Coulez la porte du congélateur sur l'axe de charnière inférieure. Veillez à ce que la bague de l'axe de charnière en plastique se trouve sur l'axe de charnière ou dans le trou prévu pour l'axe de charnière de la porte au bas de la porte.

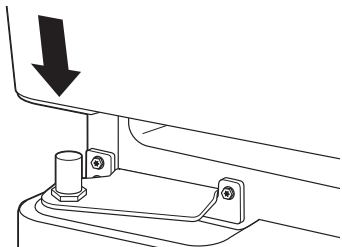


- B** Redressez la porte et alignez-la sur le support à charnière centrale.
- C** Installez l'axe de charnière centrale à l'aide d'une clé à cliquet/douille 3/4 po. Tournez-la de sorte qu'elle traverse le support charnière et s'insère dans la porte du congélateur.

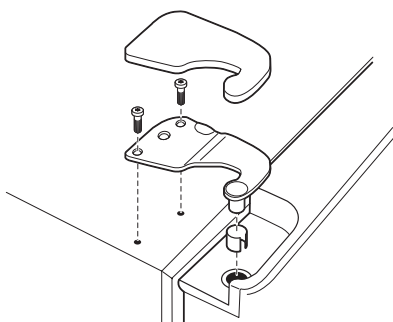


9 RE-SUSPENSION DE LA PORTE DU COMPARTIMENT RÉFRIGÉRATION

- A** Abaissez la porte du compartiment réfrigération sur l'axe de la charnière du centre. Assurez-vous que la bague en matière plastique de l'axe de charnière demeure sur l'axe de charnière du centre ou à l'intérieur du trou de l'axe de charnière de la porte, situé en bas de la porte.

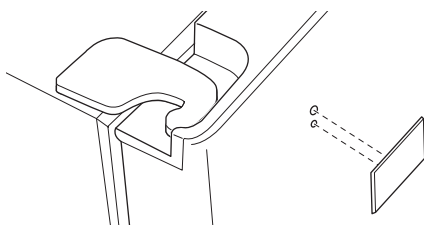


- B** Insérez le manchon de porte dans le trou à manchon en haut de la porte du réfrigérateur, puis insérez l'axe de charnière supérieur. Assurez-vous que la porte soit alignée à l'armoire. Fixez la charnière en haut de l'armoire, sans trop serrer, avec les boulons.
- C** Assurez-vous que le joint de la porte soit aligné contre l'armoire et ne soit pas tordu. Soutenez la porte du côté de la poignée et assurez-vous que la porte soit droite et l'écartement entre les portes soit uniforme à l'avant. Tout en tenant la porte en place, serrez les boulons de la charnière supérieure. Remettez en place le couvercle de charnière.



10 FIXEZ LE LOGO

Enlevez le papier adhésif protecteur et alignez les taquets de l'arrière du logo avec les trous de la porte. Faites pression sur le logo pour vous assurer qu'il colle bien à la porte.



ENLÈVEMENT DES PORTES (modèles de réfrigérateurs à deux portes uniquement)

NOTES IMPORTANTES

NOTE : Vous ne pouvez pas changer le sens d'ouverture des portes.

- Lisez les instructions jusqu'à la fin avant de commencer.
- Manipulez les pièces avec soin pour éviter de rayer la peinture.
- Posez les vis près des pièces qu'elles fixent, pour éviter de les utiliser au mauvais endroit.
- Prévoyez une surface de travail qui ne raye pas les portes.

IMPORTANT : Une fois que vous aurez commencé, ne bougez plus l'armoire.

Ces instructions servent à l'enlèvement des portes.

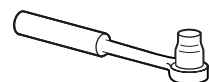
Débranchez le réfrigérateur de sa prise électrique.

Videz toutes les clayettes de porte, y compris le compartiment laitier.

OUTILS NÉCESSAIRES



Clé réglable



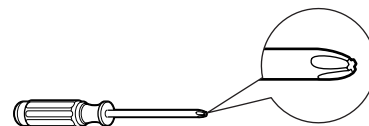
Tournevis à cliquet de 3/8 po et de 10 mm



Ruban masque



Tournevis à lame mince



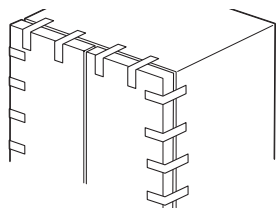
Tournevis cruciforme

Instructions d'installation

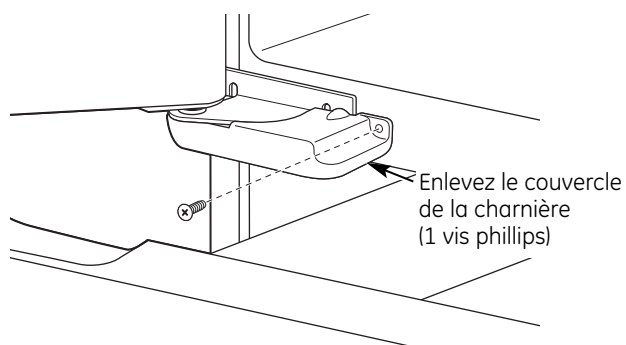
ENLÈVEMENT DES PORTES (modèles de réfrigérateurs à deux portes uniquement)

1 ENLÈVEMENT DES PORTES DU COMPARTIMENT RÉFRIGÉRATION

- A** Fermez les portes et attachez-les avec le ruban masque.

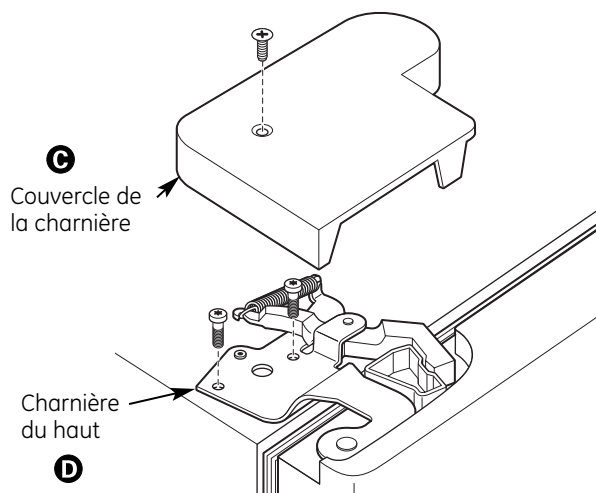


- B** Commencez avec la porte de gauche. Enlevez la vis qui tient le couvercle de la charnière du centre, soulevez le couvercle de la charnière du centre et mettez-le en haut de côté du réfrigérateur.



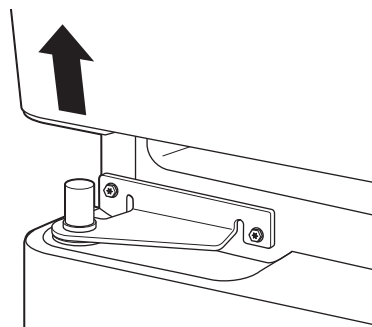
- C** Enlevez le couvercle de la charnière du haut de la porte du compartiment réfrigération en enlevant le vis à tête Phillips et en le tirant vers le haut.

- D** À l'aide d'une clé à douille de 5/16 po, enlevez les boulons qui tiennent la charnière du haut à l'armoire. Soulevez ensuite la charnière droit vers le haut pour libérer l'axe de la charnière de support du haut de la porte.



1 ENLÈVEMENT DES PORTES DU COMPARTIMENT RÉFRIGÉRATION (suite)

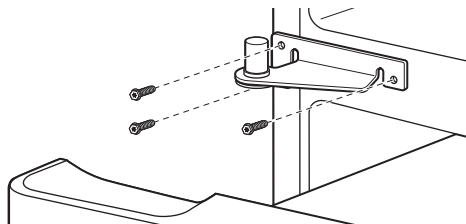
- E** Enlevez le ruban et faites basculer la porte pour l'éloigner de l'armoire. Soulevez la porte pour l'enlever de l'axe de la charnière centrale. Assurez-vous que la bague de l'axe de charnière en matière plastique demeure sur l'axe de la charnière ou à l'intérieur du trou d'axe de charnière de la porte situé en bas de la porte.



- F** Posez la porte sur une surface qui ne raye pas, l'intérieur vers le haut.

2 ENLEVEZ LA CHARNIÈRE DU CENTRE

À l'aide d'une clé à douille de 5/16 po, enlevez les boulons qui tiennent la charnière du centre à l'armoire. Mettez de côté les boulons et la charnière.



3 ENLÈVEMENT DE LA PORTE OPPOSÉE

Suivez la même procédure pour la porte opposée. Il n'y a pas de fils, de conduite d'eau ou de couvercle de charnière de l'autre côté.

4 ENLÈVEMENT DU TIROIR DU COMPARTIMENT CONGÉLATION

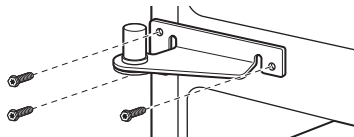
Consultez la section Enlèvement du tiroir du compartiment congélation pour des instructions.

Instructions d'installation

REMISE EN PLACE DES PORTES (modèles de réfrigérateurs à deux portes uniquement)

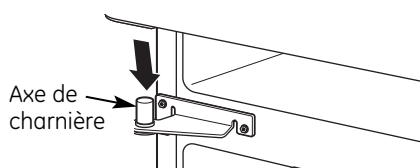
1 INSTALLATION DE LA CHARNIÈRE DU CENTRE

Installez la charnière du centre de chaque côté.

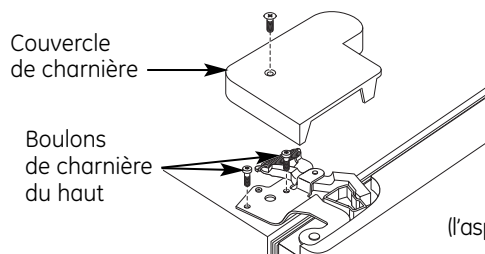


2 RE-SUSPENSION DES PORTES DU COMPARTIMENT RÉFRIGÉRATION

- A** Abaissez la porte du compartiment réfrigération sur l'axe de la charnière du centre. Assurez-vous que la bague en matière plastique de l'axe de charnière se trouve sur l'axe de charnière du centre ou à l'intérieur du trou de l'axe de charnière de porte situé en bas de la porte.



- B** Fermez la porte et tenez-la fermée à l'aide de ruban-masque ou utilisez une deuxième personne pour soutenir la porte.
- C** Insérez l'axe de la charnière du haut dans le trou de la charnière en haut de la porte du compartiment réfrigération. Assurez-vous que la porte soit alignée à l'armoire et la porte opposée. Fixez la charnière en haut de l'armoire, sans trop serrer, avec les boulons.
- D** Assurez-vous que le joint de la porte soit aligné contre l'armoire et ne soit pas tordu. Assurez-vous que la porte soit droite et l'écartement entre les portes soit uniforme à l'avant. Tout en tenant la porte alignée en place, serrez les boulons de la charnière supérieure. Remettez en place le couvercle de charnière et la vis.

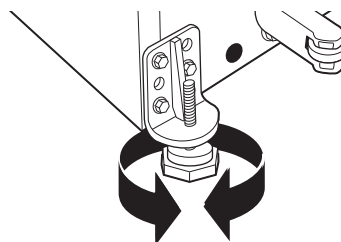


3 REMETTEZ EN PLACE LA PORTE OPPOSÉE

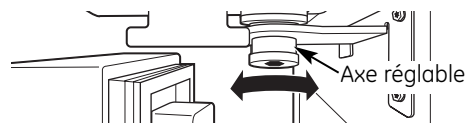
Suivez la même procédure pour la porte opposée. Il n'y a pas de conduite d'eau ou de couvercle de charnière.

4 ALIGNEMENT DES DEUX PORTES

Si le haut des portes n'est pas bien aligné, d'abord essayez d'élever la porte la plus basse en tournant le pied d'inclination sur le même côté que la porte jusqu'à ce que les portes soient bien alignées. Si l'appareil reste instable, rajustez les pieds d'inclination dans la mesure où l'appareil devient stable.



Si les portes ne sont toujours pas à niveau, tournez l'axe réglable pour soulever ou abaisser la porte de gauche afin qu'elle soit à niveau avec la porte de droite. Utilisez une clé Allen de 1/4 po pour tourner l'axe.



5 REMETTEZ EN PLACE LE TIROIR DU COMPARTIMENT CONGÉLATION

Consultez la section Remise en place du tiroir du compartiment congélation pour des instructions.

Instructions d'installation

INSTALLATION DE LA CONDUITE D'EAU (MODÈLES AVEC MACHINE À GLAÇONS)

AVANT DE COMMENCER

Nous recommandons les troupes d'alimentation d'eau en cuivre WX8X2, WX8X3, WX8X4, selon le montant de conduite dont vous avez besoin. Nous approuvons les conduites d'eau en matière plastique GE SmartConnect™ Refrigerator Tubing (WX08X10006, WX08X10015 et WX08X10025).

Si vous installez un système d'eau GE Reverse Osmosis dans votre réfrigérateur, la seule installation approuvée est celle de la trousse GE RVKIT. Pour les autres systèmes d'osmose de l'eau, suivez les recommandations du fabricant.

Si l'alimentation d'eau à votre réfrigérateur vient d'un système de filtration d'osmose inversée ET si votre réfrigérateur a également un filtre d'eau, utilisez le bouchon de dérivation du filtre de votre réfrigérateur. Si vous utilisez la cartouche de filtration de votre réfrigérateur en conjonction avec le filtre d'osmose inversée, vous pouvez produire des glaçons creux.

Cette installation de conduite d'eau n'est pas garantie par le fabricant de réfrigérateur ou de machine à glaçons. Suivez soigneusement ces instructions pour minimiser le risque de dommages onéreux d'inondation.

Les coups de bélier (eau qui donne des coups dans les tuyaux) dans la tuyauterie de la maison peut occasionner des dommages aux pièces de votre réfrigérateur, ainsi que des fuites ou des inondations. Appelez un plombier certifié pour corriger les coups de bélier avant d'installer la conduite d'eau de votre réfrigérateur.

Pour prévenir toute brûlure et tout dommage à votre réfrigérateur, ne branchez jamais la conduite d'eau à une canalisation d'eau chaude.

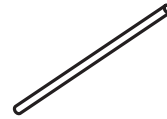
Si vous utilisez votre réfrigérateur avant de brancher la conduite d'eau, assurez-vous de laisser le commutateur de la machine à glaçon en position **O (arrêt)**.

N'installez jamais les tuyaux de la machine à glaçon dans des endroits où la température risque de descendre en dessous du point de congélation.

Si vous utilisez un outil électrique (comme une perceuse électrique) pendant l'installation, assurez-vous que l'isolement ou le câblage de cet outil empêche tout danger de secousse électrique.

Vous devez procéder à toutes vos installations conformément aux exigences de votre code local de plomberie.

CE DONT VOUS AUREZ BESOIN



- **Tuyaux en cuivre ou trousse GE SmartConnect™ Refrigerator Tubing**, diamètre extérieur de 1/4 po pour brancher le réfrigérateur à l'alimentation d'eau. Si vous utilisez un tuyau en cuivre, assurez-vous que les deux extrémités du tuyau soient coupées bien droit.

Pour trouver la longueur de tuyau dont vous avez besoin : mesurez la distance qui va du robinet d'eau situé derrière le réfrigérateur jusqu'au tuyau d'alimentation d'eau. Assurez-vous qu'il y ait assez de tuyau en trop pour vous permettre de décoller le réfrigérateur du mur après l'installation.

Les troupes GE SmartConnect™ Refrigerator Tubing sont disponibles dans les dimensions suivantes :

1,8 m (6 pi) – WX08X10006

4,6 m (15 pi) – WX08X10015

7,6 m (25 pi) – WX08X10025

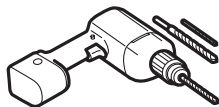
NOTE : Les seuls tuyaux en matière plastique approuvés par GE sont ceux qui sont fournis dans les troupes GE SmartConnect™ Refrigerator Tubing. N'utilisez jamais un autre tuyau en matière plastique, car le tuyau d'alimentation d'eau est tout le temps sous pression. Certaines catégories de tuyaux en matière plastique peuvent devenir cassants avec l'âge et peuvent se fendre, en occasionnant des dommages d'inondation dans votre maison.

- Vous pouvez acheter une **trousse d'alimentation d'eau GE** (contenant un tuyau, un robinet d'arrêt et les joints énumérés ci-dessous) chez votre distributeur local ou en le commandant au service de pièces et accessoires, au 1.888.261.3055.

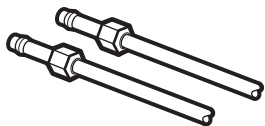
Instructions d'installation

CE DONT VOUS AUREZ BESOIN (SUITE)

- Une alimentation d'eau froide potable. La pression de l'eau doit être entre 20 et 120 p.s.i. (1,4 et 8,1 bar).



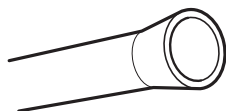
- Une perceuse électrique.
- Une clé de 1/2 po ou une clé réglable.
- Un tournevis à lame plate et un tournevis Phillips.



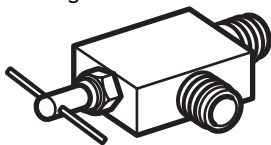
- Deux écrous à compression d'un diamètre extérieur de 1/4 po et deux bagues (manchons)—pour brancher le tuyau en cuivre au robinet d'arrêt et au robinet d'eau du réfrigérateur.

OU

- Si vous utilisez une trousse d'alimentation d'eau GE avec tuyau en matière plastique, les garnitures nécessaires sont déjà montées au tuyau.



- Si votre canalisation d'eau actuelle a un raccord évasé à une extrémité, vous aurez besoin d'un **adaptateur** (que vous trouverez dans votre magasin de matériel de plomberie) pour brancher le tuyau d'eau au réfrigérateur, **OU BIEN** vous pouvez couper le raccord évasé à l'aide d'un **coupe-tube**, puis utiliser un raccord à compression. Ne coupez jamais l'extrémité finie d'un tuyau de la trousse GE SmartConnect™ Refrigerator Tubing.



- Un robinet d'arrêt pour brancher le tuyau d'eau froide. Le robinet d'arrêt doit avoir une entrée d'eau avec un diamètre intérieur minimal de 5/32 po au point de jonction avec le **TUYAU D'EAU FROIDE**. Des robinets d'arrêt à étrier sont souvent inclus dans les trousse d'alimentation d'eau. Avant d'acheter, assurez-vous que le robinet à étrier se conforme à vos codes de plomberie locaux.

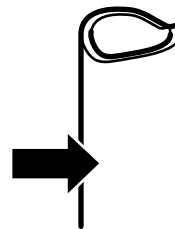
Installez le robinet d'arrêt sur la canalisation d'eau potable la plus fréquemment utilisée.

1 FERMEZ L'ALIMENTATION PRINCIPALE D'EAU

Ouvrez le robinet le plus proche suffisamment longtemps pour purger le tuyau.

2 CHOISISSEZ L'EMPLACEMENT DU ROBINET

Choisissez pour le robinet un emplacement facilement accessible. Il vaut mieux le brancher de côté à un tuyau vertical. Si vous devez le brancher à un tuyau horizontal, faites le branchement en haut ou de côté, plutôt qu'en bas du tuyau, pour éviter de recevoir des sédiments du tuyau d'alimentation d'eau.

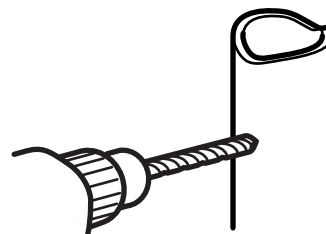


3 PERCEZ UN TROU POUR LE ROBINET

Percez un trou de 1/4 po dans le tuyau d'eau, à l'aide d'un foret dur. Enlevez toute barbare due au perçage du trou dans le tuyau.

Faites attention de ne pas laisser de l'eau couler dans votre perceuse électrique.

Si vous ne percez pas un trou de 1/4 po, vous obtiendrez une alimentation d'eau réduite et des glaçons plus petits.

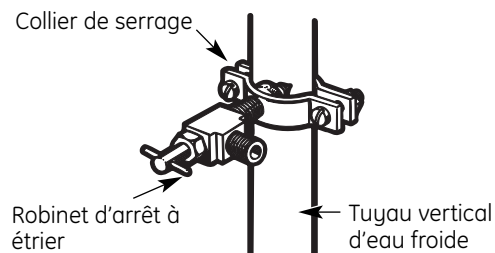


Instructions d'installation

INSTALLATION DE LA CONDUITE D'EAU (SUITE)

4 FIXEZ LE ROBINET D'ARRÊT

Fixez le robinet d'arrêt au tuyau d'eau froide à l'aide du collier de serrage.

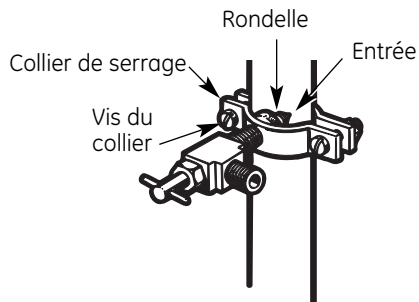


NOTE : Vous devez vous conformer aux Codes de plomberie 248CMR du Commonwealth of Massachusetts. Les robinets d'arrêt à étrier sont illégaux et leur utilisation n'est pas autorisée au Massachusetts. Consultez votre plombier local.

5 SERREZ LE COLLIER DE SERRAGE

Serrez les vis du collier jusqu'à ce que la rondelle d'étanchéité commence à enfler.

NOTE : Ne serrez pas trop. Vous risquez d'écraser le tuyau.



6 ACHEMINEZ LE TUYAU

Acheminez le tuyau du tuyau d'eau froide au réfrigérateur.

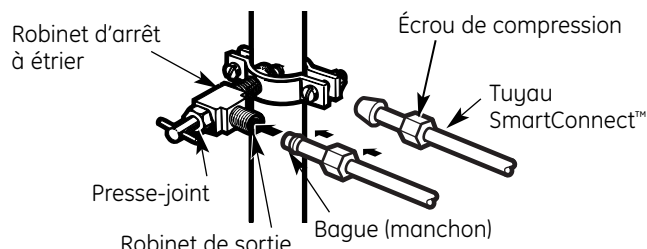
Faites passer le tuyau par un trou percé dans le mur ou le plancher (derrière le réfrigérateur ou au niveau de l'armoire de cuisine adjacente), aussi près du mur que possible.

7 BRANCHEZ LE TUYAU AU ROBINET

Placez un écrou de compression et une bague (manchon) à l'extrémité du tuyau et branchez-les au robinet d'arrêt.

Assurez-vous que le tuyau soit bien inséré dans le robinet. Serrez fort l'écrou de compression.

Pour le tuyau en matière plastique d'une trousse GE SmartConnect™ Refrigerator Tubing, insérez l'extrémité moulée du tuyau dans le robinet d'arrêt et serrez l'écrou de compression à la main, puis serrez un autre demi tour avec une clé. Si vous serrez trop fort, vous pouvez occasionner des fuites.



NOTE : Vous devez vous conformer aux Codes de plomberie 248CMR du Commonwealth of Massachusetts. Les robinets d'arrêt à étrier sont illégaux et leur utilisation n'est pas autorisée au Massachusetts. Consultez votre plombier local.

8 PURGEZ LE TUYAU

Ouvrez le robinet d'alimentation principale d'eau et purgez le tuyau jusqu'à ce que l'eau soit claire.

Fermez l'eau au niveau du robinet d'eau après écoulement d'environ 1 litre (1 quart) d'eau par le tuyau.



Pour compléter l'installation du réfrigérateur, retournez à l'étape 1 de la section *Installation du réfrigérateur*.



Les réfrigérateurs plus récents font des bruits différents de ceux des anciens. Les réfrigérateurs modernes présentent plus de fonctions et sont plus avancés sur le plan technologique.

Entendez-vous ce que j'entends ? Ces bruits sont normaux.

**HUMMM...
OUUCH....**

- Le nouveau compresseur à rendement élevé peut fonctionner plus longtemps et plus vite que votre ancien réfrigérateur et vous pouvez entendre un son modulé ou un ronflement aigu pendant son fonctionnement.
- Vous pouvez entendre un sifflement lorsque les portes se ferment. Cela vient de l'équilibrage de pression dans le réfrigérateur.

OUIR !



- Vous pouvez entendre les ventilateurs tourner à hautes vitesses. Cela se produit lorsque le réfrigérateur vient d'être branché, lorsque les portes sont ouvertes fréquemment ou lors de l'ajout d'une grande quantité d'aliments dans les compartiments congélateur ou réfrigérateur. Les ventilateurs permettent de maintenir les bonnes températures.
- Les ventilateurs changent de vitesses pour assurer des économies d'énergie et un refroidissement optimaux.

CLICS et CLAQUEMENTS

- Vous pouvez entendre des craquements ou des claquements lorsque le réfrigérateur est branché pour la première fois. Cela se produit lorsque le réfrigérateur se refroidit à la bonne température.
- Le réglage du congélateur clique quand le compresseur se met en marche ou s'arrête.
- La minuterie de dégivrage se mettant en marche ou s'arrêtant pendant le cycle de dégivrage.
- L'expansion et la contraction des serpentins de refroidissement pendant et après le dégivrage peuvent causer un craquement ou un claquement.
- Sur les modèles équipés d'une machine à glaçons, après un cycle de fabrication de glaçons, vous pouvez entendre les glaçons tomber dans le bac.
- Sur les modèles munis d'un distributeur, le mouvement des conduites peut être audible lors de la première distribution d'eau et après le relâchement du bouton du distributeur.

BRUITS D'EAU



- Le passage de l'agent frigorigère dans les serpentins de refroidissement du congélateur peut être accompagné d'un gargouillement semblable à celui de l'eau en ébullition.
- L'eau tombant sur l'élément chauffant de dégivrage peut faire un bruit de grésillement, de claquement ou de bourdonnement pendant le cycle de dégivrage.
- Un bruit de suintement d'eau peut être entendu pendant le cycle de dégivrage lorsque la glace de l'évaporateur fond et tombe dans le bac de récupération.
- Fermer la porte peut causer un gargouillement en raison de l'équilibrage de pression.



Pour obtenir plus d'information sur les bruits normaux de fonctionnement de la machine à glaçons, veuillez consulter la section **Machine à glaçons automatique.**

Avant d'appeler un réparateur...



Conseils de dépannage—Économisez du temps et de l'argent! Consultez d'abord les tableaux qui suivent et vous pourrez peut-être éviter de faire appel à un réparateur.

Problème	Causes possibles	Correctifs
Le réfrigérateur ne fonctionne pas	Le cycle de dégivrage est en cours.	• Attendez environ 30 minutes permettre au cycle de dégivrage de se terminer.
	La commande est réglée en position Off (arrêt).	• Réglez la commande de température sur un réglage de température.
	Le réfrigérateur est débranché.	• Enfoncez la fiche de l'appareil dans la prise murale.
	Le disjoncteur ou le fusible peut avoir sauté.	• Remplacez le fusible ou réenclenchez le disjoncteur.
Vibration ou bruit métallique (une légère vibration est normale)	Les pieds de nivellement ont besoin d'être réglés.	• Consultez <i>Mettez le réfrigérateur de niveau.</i>

Avant d'appeler un réparateur...

Problème	Causes possibles	Correctifs
Le moteur fonctionne pendant de longues périodes ou démarre et s'arrête fréquemment. (Les réfrigérateurs modernes et leurs congélateurs étant plus grands, leur moteur doit fonctionner plus longtemps. Ils démarrent et s'arrêtent afin de maintenir des températures uniformes.)	Ceci est normal lorsque le réfrigérateur vient d'être branché.	<ul style="list-style-type: none"> Attendez 24 heures pour que le réfrigérateur refroidisse complètement.
	Ceci arrive souvent lorsque une grande quantité d'aliments a été mise au réfrigérateur.	<ul style="list-style-type: none"> C'est normal.
	Porte laissée ouverte.	<ul style="list-style-type: none"> Vérifiez qu'il n'y a pas un paquet qui empêche la porte de fermer.
	Temps chaud ou ouverture fréquente des portes.	<ul style="list-style-type: none"> C'est normal.
Température trop élevée dans le congélateur ou le réfrigérateur	Les commandes de température ont été réglées aux températures les plus basses.	<ul style="list-style-type: none"> Consultez <i>Les commandes</i>.
	La commande de température du réfrigérateur ou du congélateur n'est pas réglée à une température assez basse.	<ul style="list-style-type: none"> Consultez <i>Les commandes</i>.
	Temps chaud ou ouverture fréquente des portes.	<ul style="list-style-type: none"> Abaissez la commande de température d'une position. Consultez <i>Les commandes</i>.
Givre sur les aliments surgelés (il est normal que du givre se forme à l'intérieur du paquet)	Porte laissée ouverte.	<ul style="list-style-type: none"> Vérifiez qu'il n'y a pas un paquet qui empêche la porte de fermer.
	Les ouvertures de porte sont trop fréquentes ou trop longues.	<ul style="list-style-type: none"> C'est normal.
Vibration fréquente	Le commutateur de marche de la machine à glaçons est en position <i>I (marche)</i> , mais l'approvisionnement en eau du réfrigérateur n'est pas branché.	<ul style="list-style-type: none"> Mettez le commutateur de marche en position 0 (arrêt). Le robinet d'eau sera endommagé si gardez le commutateur de marche en position <i>I (marche)</i>.
Petits glaçons ou glaçons creux à l'intérieur	Le filtre à eau est bouché.	<ul style="list-style-type: none"> Remplacez la cartouche du filtre avec une nouvelle cartouche ou installez le bouchon du filtre.
La machine à glaçons automatique ne fonctionne pas (sur certains modèles)	Le commutateur de marche n'est pas branché.	<ul style="list-style-type: none"> Mettez le commutateur de marche en position <i>I (marche)</i>. Le voyant lumineux de la machine à glaçons devient vert quand le commutateur de voyant lumineux de compartiment congélation est pressé ou quand la porte du compartiment congélation est fermée.
	L'alimentation d'eau est arrêtée ou n'est pas branchée.	<ul style="list-style-type: none"> Consultez <i>Installation de la conduite d'eau</i>.
	Le compartiment congélateur est trop chaud.	<ul style="list-style-type: none"> Attendez 24 heures que le réfrigérateur soit complètement froid.
	Une accumulation de glaçons dans le tiroir à glaçons peut causer un arrêt de la machine à glaçons.	<ul style="list-style-type: none"> Égalisez les glaçons à la main.
	Des glaçons se sont collés dans la machine à glaçons (le voyant lumineux vert de la machine à glaçons clignote).	<ul style="list-style-type: none"> Débranchez la machine à glaçons, enlevez les glaçons, puis remettez en marche la machine à glaçons.
	Le voyant lumineux de machine à glaçons ne s'allume pas.	<ul style="list-style-type: none"> C'est normal quand la porte du compartiment congélation est ouverte. Le voyant lumineux de la machine à glaçons devient vert quand le commutateur de voyant lumineux de compartiment congélation est pressé ou quand la porte du compartiment congélation est fermée.

Problème	Causes possibles	Correctifs
Odeur/saveur anormale des glaçons	Des aliments ont transmis leur odeur/goût aux glaçons.	<ul style="list-style-type: none"> • Emballez bien les aliments.
	Il faut nettoyer l'intérieur du réfrigérateur.	<ul style="list-style-type: none"> • Consultez <i>Entretien et nettoyage</i>. • Gardez une boîte de bicarbonate de soude ouverte dans votre réfrigérateur. Remplacez-la tous les trois mois.
Formation lente des glaçons	Porte laissée ouverte.	<ul style="list-style-type: none"> • Vérifiez qu'il n'y a pas un paquet qui empêche la porte de fermer.
	La commande de température du congélateur n'est pas réglée à une température assez basse.	<ul style="list-style-type: none"> • Consultez <i>Les commandes</i>.
Odeur dans le réfrigérateur	Des aliments ont transmis leur odeur au réfrigérateur.	<ul style="list-style-type: none"> • Les aliments à odeur forte doivent être emballés hermétiquement. • Gardez une boîte ouverte de bicarbonate de soude dans le réfrigérateur.
	Il faut nettoyer l'intérieur.	<ul style="list-style-type: none"> • Consultez <i>Entretien et nettoyage</i>.
De la condensation s'accumule à l'extérieur	Cela n'est pas inhabituel pendant les périodes de forte humidité.	<ul style="list-style-type: none"> • Essuyez bien la surface extérieure et abaissez la commande du réfrigérateur d'une position.
De l'humidité se forme à l'intérieur (quand il fait humide, l'air transporte de l'humidité à l'intérieur du réfrigérateur quand vous ouvrez les portes)	Vous ouvrez les portes trop souvent ou trop longtemps.	<ul style="list-style-type: none"> • C'est normal.
La lumière de compartiment réfrigération ou congélation ne s'allume pas	Pas d'électricité à la prise.	<ul style="list-style-type: none"> • Remplacez le fusible ou remettez en marche le disjoncteur.
	L'ampoule a brûlé ou elle n'est pas vissée à fond.	<ul style="list-style-type: none"> • Consultez <i>Remplacement des ampoules électriques</i>.
La porte/le tiroir ne ferme pas seul	Vous devez ajuster les pieds de nivellement.	<ul style="list-style-type: none"> • Consultez <i>Installation du réfrigérateur</i>.
La porte/le tiroir du compartiment congélation s'ouvre quand la porte du réfrigérateur est fermée	C'est normal si, après s'être ouvert, la porte/le tiroir du compartiment congélation se referme tout seul.	<ul style="list-style-type: none"> • Cela indique que la porte/le tiroir du compartiment congélation a un bon joint. Si la porte/le tiroir du compartiment congélation ne se referme pas automatiquement après s'être ouvert, consultez la section Problème : <i>La porte/le tiroir ne ferme pas seul</i>, ci-dessus.
De l'air chaud souffle du bas du réfrigérateur	C'est normal. Le moteur se refroidit à l'air. Dans le processus de réfrigération il est normal que de la chaleur soit émise en bas du réfrigérateur. Certains revêtements de sol sont sensibles et changent de couleur à ces températures normales et pas dangereuses.	
Les aliments gèlent dans le compartiment réfrigération	Les aliments sont trop près de l'ouverture de circulation d'air à l'arrière du compartiment réfrigération.	<ul style="list-style-type: none"> • Éloignez les aliments de l'ouverture de circulation d'air.
	Le réglage de votre réfrigérateur est trop froid.	<ul style="list-style-type: none"> • Réglez votre réfrigérateur à une température plus chaude en sélectionnant une graduation à la fois.
Il y a une lueur orangée dans le compartiment congélation	Le chauffage du dégivrage fonctionne.	<ul style="list-style-type: none"> • C'est normal.

Avant d'appeler un réparateur...

Problème	Causes possibles	Correctifs
La machine à glaçons ne distribue ni glaçons	La conduite d'eau ou le robinet d'arrêt est bouché.	<ul style="list-style-type: none"> • Appelez un plombier.
	Le filtre à eau est bouché.	<ul style="list-style-type: none"> • Remplacez la cartouche du filtre avec une nouvelle cartouche ou installez le bouchon du filtre.
	Cartouche de filtre mal installée.	<ul style="list-style-type: none"> • Retirez et réinstallez la cartouche de filtre en vous assurant qu'elle se bloque en place. La lame à l'extrémité de la cartouche doit être positionnée verticalement.
La poignée est lâche/ Il y a un espace vide pour la poignée	Vous devez ajuster la poignée de porte.	<ul style="list-style-type: none"> • Consultez les sections <i>Fixez la poignée de porte du compartiment pour aliments frais</i> et <i>Fixez la poignée de la porte du compartiment congélation</i> pour des instructions détaillées.
Son du réfrigérateur	C'est l'alarme de porte.	<ul style="list-style-type: none"> • Fermez la porte.
Le réglage de contrôles n'est pas allumé	Sur certains modèles, les ampoules électriques situées en haut du compartiment réfrigération allument les réglages de contrôle de la température.	<ul style="list-style-type: none"> • Si les réglages de contrôle ne s'allument pas, vérifiez que les ampoules électriques ne soient pas brûlées, et remplacez-les le cas échéant.
Les portes ne sont pas bien alignées (Uniquement sur les modèles à deux portes)	Il faut réaligner les portes.	<ul style="list-style-type: none"> • Consultez la section <i>Alignement des deux portes</i> située dans la section <i>Remise en place des portes (modèles de réfrigérateurs à deux portes uniquement)</i>.
Les paniers se coincent lors de l'ouverture ou de la fermeture	Les paniers sont trop remplis.	<ul style="list-style-type: none"> • Pour ouvrir : Enlevez certains produits du panier, lorsque celui-ci est ouvert aussi loin que possible. Repositionnez les produits laissés dans le panier et essayez de l'ouvrir à nouveau. • Pour fermer : Repositionnez les produits dans le panier et enlevez tout produit placé au-dessus du bord du panier, puis fermez-le.

Mesures de sécurité	Fonctionnement	Installation	Conseils de dépannage	Soutien au consommateur
----------------------------	-----------------------	---------------------	------------------------------	--------------------------------

GARANTIE DU CLIENT

(pour la clientèle au Canada)

Votre réfrigérateur est garanti contre tout défaut de matériau et de fabrication.

Ce que cette garantie couvre	Durée de garantie (à partir de la date d'achat)	Pièces Réparation ou remplacement au choix de Mabe	Main-d'oeuvre
Compresseur	GE Profile : Dix (10) ans GE et toutes autre marques : Un (1) an	GE Profile : Dix (10) ans GE et toutes autre marques : Un (1) an	GE Profile : Cinq (5) ans GE et toutes autre marques : Un (1) an
Système scellé (y compris l'évaporateur, la tuyauterie du condenseur et le frigorigène)	GE Profile : Cinq (5) ans GE et toutes autre marques : Un (1) an	GE Profile : Cinq (5) ans GE et toutes autre marques : Un (1) an	GE Profile : Cinq (5) ans GE et toutes autre marques : Un (1) an
Toutes les autres pièces	Un (1) an	Un (1) an	Un (1) an

TERMES ET CONDITIONS :

La présente garantie ne s'applique qu'à l'utilisation domestique par une seule famille au Canada, lorsque le réfrigérateur a été installé conformément aux instructions fournies par Mabe et est alimenté correctement en eau et en électricité.

Les dommages dus à une utilisation abusive, un accident, une exploitation commerciale, ainsi que la modification, l'enlèvement ou l'altération de la plaque signalétique annulent la présente garantie.

L'entretien effectué dans le cadre de la présente garantie doit être par un réparateur agréé Mabe.

Mabe et le marchand ne peuvent être tenus pour responsables en cas de réclamations ou dommages résultant de toute panne du réfrigérateur ou d'un entretien retardé pour des raisons qui raisonnablement échappent à leur contrôle.

L'acheteur doit, pour obtenir un service dans le cadre de la garantie, présenter la facture originale. Les éléments réparés ou remplacés ne sont garantis que pendant le restant de la période de garantie initiale.

Cette garantie est offerte à l'acheteur initial, ainsi qu'à tout propriétaire subséquent d'un produit acheté en vue d'une utilisation domestique au Canada. Le service à domicile en vertu de la garantie sera fourni dans les régions où il est disponible et où Mabe estime raisonnable de le fournir.

Cette garantie est en sus de toute garantie statutaire.

EXCLUSIONS DE LA GARANTIE :

- Le propriétaire est responsable de payer les réparations occasionnées par l'installation de ce produit et/ou les visites nécessaires pour lui apprendre à utiliser ce produit.
- Tout dommage au fini de l'appareil doit être signalé auprès du magasin où a été effectué l'achat dans les 48 heures suivant la livraison de l'appareil.
- Dommages causés à la peinture ou à l'émail après livraison.
- Installation incorrecte—l'installation correcte inclut la bonne circulation d'air pour le système de réfrigération, des possibilités de branchement aux circuits électriques, d'alimentation en eau et autres.
- Remplacement des fusibles ou réarmement des disjoncteurs.
- Remplacement des ampoules électriques.
- Dommages subis par l'appareil à la suite d'un accident, d'un incendie, d'inondations ou en cas de force majeure.
- Utilisation correcte et entretien adéquat de l'appareil selon le manuel d'utilisation, réglage correct des commandes.
- Perte des aliments due à la détérioration.
- Le service s'il est impossible d'avoir accès au produit pour ce faire.
- LE GARANT N'EST PAS RESPONSABLE DES DOMMAGES INDIRECTS.

EXCLUSION DE GARANTIES IMPLICITES—Votre seul et unique recours est la réparation du produit selon les dispositions de cette Garantie limitée. Toutes les garanties implicites, incluant les garanties de commercialité et d'adéquation à un usage spécifique, sont limitées à une année ou à la période la plus courte autorisée par la législation.

IMPORTANT

Gardez cette garantie et votre facture originale comme preuve d'achat et preuve de la date d'achat.

Mabe vous offre ses services dans tout le pays. Pour de plus amples renseignements sur la présente garantie, veuillez prendre contact avec :

Directeur, Relations avec les consommateurs, Mabe Canada Inc.,
Bureau 310, 1 Factory Lane, Moncton, N.B. E1C 9M3

1.800.561.3344

*Agrapez votre reçu ici.
Vous devez fournir la preuve de
l'achat original pour obtenir des
services en vertu de la garantie.*

Feuillet de données relatives à la performance
Cartouche GSWF du système de
Filtration d'eau GE SmartWater

Ce système a été essayé selon les normes NSF/ANSI 42/53 pour une réduction des substances énumérées ci-dessous. La concentration des substances indiquées dans l'eau qui entre dans le système a été réduite à une concentration inférieure ou égale à la limite permise pour l'eau quittant le système, telle que précisée par la norme NSF/ANSI 42/53.* (facteurs intégrés de sécurité à 100% pour une utilisation sans compteur)

Norme N° 42 : Effets esthétiques								
Paramètre	USEPA MCL	Influent moyen	Qualité influent concentration	Effluent		% Réduction		Réduction exigeante min.
				Moyenne	Maximum	Moyenne	Minimum	
Chlore	—	1,845 mg/L	2,0 mg/L ± 10%	< 0,05 mg/L	0,05 mg/L	97,29%	96,43%	≥ 50%
T & O	—	—	—	—	—	—	—	—
Particules**	—	143.333 #/mL	10.000 particles/mL minimum	29,83 #/mL	140 #/mL	99,98%	99,91%	≥ 85%

Norme N° 53 : Effets de santé								
Paramètre	USEPA MCL	Influent moyen	Qualité influent concentration	Effluent		% Réduction		Réduction exigeante min.
				Moyenne	Maximum	Moyenne	Minimum	
Turbidité	1 NTU***	10,3 NTU***	1 ± 1 NTU***	0,106 NTU	0,14 NTU	98,97%	98,61%	0,5 NTU
Spores	99,95% réduction	200.000 #/L	50.000 L minimum	0	0	> 99,99%	> 99,99%	> 99,95%
Plomb au pH 6,5	0,015 mg/L	0,15 mg/L	0,15 mg/L ± 10%	< 0,001 mg/L	< 0,001 mg/L	> 99,33%	> 99,33%	0,010 mg/L
Plomb au pH 8,5	0,015 mg/L	0,14 mg/L	0,15 mg/L ± 10%	0,001 mg/L	0,003 mg/L	> 99,29%	97,86%	0,010 mg/L
Lindane	0,0002 mg/L	0,0216 mg/L	0,002 mg/L ± 10%	< 0,00002 mg/L	< 0,00002 mg/L	99,07%	98,75%	0,0002 mg/L
Atrazine	0,003 mg/L	0,008 mg/L	0,009 mg/L ± 10%	< 0,002 mg/L	< 0,002 mg/L	> 76,12%	> 66,67%	0,003 mg/L

* Testé utilisant un débit de 0,5 gpm; une pression de 60 psig; un pH de 7,5 ± 0,5; et une temp. de 20 °C ± 3 °C.

** Mesures en particules/ml. Les particules utilisés étaient de 0,5-1 micron.

*** NTU = unités de turbidité néphélométrique

Spécifications d'opération

- Capacité: certifiée jusqu'à maximum de 750 gallons (2838 l); jusqu'à maximum de six mois
- Exigence en matière de pression : 2,8 à 8,2 bar (40 à 120 psi), sans choc
- Température : 0,6°-38 °C (33°-100 °F)
- Débit : 1,9 lpm (0,5 gpm)

Exigences générales d'installation/opération/entretien

- Rincez la nouvelle cartouche à plein débit pendant 3 minutes afin de libérer de l'air.
- Remplacez la cartouche lorsque le débit devient trop lent.

Avis spéciaux

- Les directives d'installation, la disponibilité de pièces et de service ainsi que la garantie standard sont expédiées avec le produit.
- Ce système d'eau potable doit être entretenu conformément aux directives du fabricant, y compris le remplacement des cartouches du filtre.
- N'utilisez pas lorsque l'eau présente un danger microbiologique ou lorsque l'eau est d'une qualité inconnue sans désinfecter adéquatement le système avant ou après; le système peut servir pour de l'eau désinfectée qui pourrait contenir des spores filtrables.
- Les contaminants ou autres substances retirées ou réduites par ce système de traitement de l'eau ne sont pas nécessairement dans votre eau.
- Vérifiez pour vous assurer de vous conformer aux lois et règlements locaux et de l'état.
- Notez que bien que l'essai a eu lieu dans des conditions normales de laboratoire, mais que le rendement réel peut varier. Les systèmes doivent être installés et fonctionner conformément aux procédures et directives recommandées par le fabricant.

Système testé et homologué par NSF International, selon la norme N° 42 pour la réduction de la concentration de chlore, la suppression des goûts et odeurs, particules Catégorie I, et selon la norme N° 53 pour la réduction de spores, plomb, Lindane, Atrazine et turbidité.



Fabriquée pour : General Electric Company, Louisville, KY 40225

Soutien au consommateur.



Site Web appareils électroménagers GE www.electromenagersge.ca

Vous avez une question ou vous avez besoin d'aide pour votre appareil électroménager? Contactez-nous par Internet au site www.electromenagersge.ca 24 heures par jour, tous les jours de l'année.

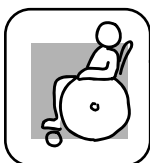


Service de réparations

1.800.561.3344

Service de réparations GE est tout près de vous.

Pour faire réparer votre électroménager GE, il suffit de nous téléphoner.



Studio de conception réaliste

Sur demande, GE peut fournir une brochure sur l'aménagement d'une cuisine pour les personnes à mobilité réduite.

Écrivez: Directeur, Relations avec les consommateurs, Mabe Canada Inc.

Bureau 310, 1 Factory Lane
Moncton, N.B. E1C 9M3

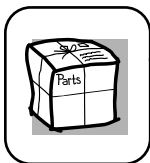


Prolongation de garantie

www.electromenagersge.ca

Achetez un contrat d'entretien GE avant que votre garantie n'expire et bénéficiez d'un rabais substantiel. Ainsi le service après-vente GE sera toujours là après expiration de la garantie.

Visitez notre site Web ou appelez-nous au **1.888.261.2133**.

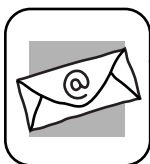


Pièces et accessoires

Ceux qui désirent réparer eux-mêmes leurs électroménagers peuvent recevoir pièces et accessoires directement à la maison (cartes VISA, MasterCard et Discover acceptées).

Les directives stipulées dans le présent manuel peuvent être effectuées par n'importe quel utilisateur. Les autres réparations doivent généralement être effectuées par un technicien qualifié. Soyez prudent, car une réparation inadéquate peut affecter le fonctionnement sécuritaire de l'appareil.

Vous trouverez dans les pages jaunes de votre annuaire le numéro du Centre de service Mabe le plus proche. Autrement, appelez-nous au 1.800.661.1616.



Contactez-nous

Si vous n'êtes pas satisfait du service après-vente dont vous avez bénéficié :

Premièrement, communiquez avec les gens qui ont réparé votre appareil.

Ensuite, si vous n'êtes toujours pas satisfait envoyez tous les détails—numéro de téléphone compris—au

Directeur, Relations avec les consommateurs, Mabe Canada Inc.
Bureau 310, 1 Factory Lane
Moncton, N.B. E1C 9M3



Inscrivez votre appareil électroménager www.electromenagersge.ca

Inscrivez votre appareil électroménager en direct, aussitôt que possible. Cela améliorera nos communications et notre service après-vente. Vous pouvez également nous envoyer par la poste le formulaire d'inscription joint à votre documentation.

Información de seguridad 82, 83

Instrucciones de operación

Cómo reemplazar
las bombillas de luz 93
Compartimiento del congelador 89
Cuidado y limpieza
del refrigerador 91, 92
El filtro de agua 85
Gaveta del congelador 88
Gavetas preservadoras
y contenedores 87
Los controles del refrigerador 84
Los estantes y compartimientos 86
Máquina de hielo automática 90

Instrucciones de instalación

Cómo invertir
el vaivén de la puerta
(Modelos de refrigerador
de una sola puerta únicamente) ... 102-105
Cómo reemplazar la gaveta
del congelador 101
Cómo retirar la gaveta
del congelador 100
Cómo retirar las puertas
(Modelos de refrigerador
de doble puerta únicamente) 106, 107
Cómo volver a colocar las puertas
(Modelos de refrigerador
de doble puerta únicamente) 108, 109
Instalación de la tubería
del agua 110-112
Instalación del refrigerador 95-99
Preparación para
instalar el refrigerador 94

Solucionar problemas 113-116
Sonidos normales de la operación 113

Servicio al consumidor

Garantía para consumidores
en los Estados Unidos 117
Hoja de datos de funcionamiento 118
Servicio al consumidor 119

**Anote aquí los números de modelo
y de serie:**

No. de modelo _____

No. de serie _____

Usted los verá en una etiqueta en el interior
del compartimiento de refrigerador en
la parte superior en el lado derecho.

Seguridad
Operación
Instalación
Solucionar problemas
Servicio al consumidor

INFORMACIONES IMPORTANTES DE SEGURIDAD. LEA PRIMERO TODAS LAS INSTRUCCIONES.

Seguridad

⚠ ¡ADVERTENCIA!

Use este aparato sólo para los fines que se describen en este Manual del propietario.



PRECAUCIONES DE SEGURIDAD

Cuando use electrodomésticos, siga las precauciones básicas de seguridad, incluyendo las siguientes:

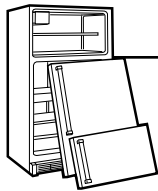
- Antes de usarse, este refrigerador deberá estar instalado y ubicado de acuerdo con las instrucciones de instalación.
- No permita que los niños se suban, se paren o se cuelguen de los charolas del refrigerador. Podría dañarse el refrigerador y causarles serias lesiones.
- No toque las superficies frías del congelador cuando tenga las manos húmedas o mojadas. La piel se podría adherir a las superficies extremadamente frías.
- No guarde ni use gasolina u otros vapores o líquidos inflamables cerca de este o cualquier otro aparato.
- Aleje los dedos fuera de las áreas donde se puede pinchar los dedos; los espacios entre las puertas y entre las puertas y los gabinetes son necesariamente estrechos. Cierre las puertas con cuidado en la presencia de los niños.
- Si su refrigerador tiene un dispositivo automático para hacer hielo, evite el contacto con las partes móviles del mecanismo de expulsión, o con el elemento calefactor localizado en la parte inferior del dispositivo para hacer hielo. No ponga los dedos ni las manos en el mecanismo automático para hacer hielo mientras el refrigerador esté conectado.
- Desconecte el refrigerador antes de limpiarlo o efectuar reparaciones.
NOTA: Recomendamos enfáticamente encargar cualquier servicio a un personal calificado.
- El colocar el control en posición **Off (apagado)** no quita la corriente del circuito de la luz.
- No vuelva a congelar los alimentos congelados una vez que se hayan descongelado.

Operación

Instalación

⚠ ¡PELIGRO! RIESGO DE QUE UN NIÑO PUEDA QUEDAR ATRAPADO

DESHACERSE DEBIDAMENTE DE SU REFRIGERADOR



El atrapamiento y la sofocación de los niños no son un problema del pasado. Los refrigeradores abandonados son un peligro...aunque sea sólo por "pocos días." Si se deshace de su viejo refrigerador, por favor siga las instrucciones abajo para ayudarnos a prevenir algún accidente.

Antes de deshacerse de su viejo refrigerador o congelador:

- Quite las puertas.
- Deje los entrepaños en su sitio para que los niños no se suban.

Refrigerantes

Todos los aparatos de refrigeración contienen refrigerantes, los cuales se deben retirar antes de la eliminación del producto de acuerdo con la ley federal. Si va a desechar algún aparato antiguo de refrigeración, consulte con la compañía a cargo de desechar el aparato para saber qué hacer.

Solucionar problemas

Servicio al consumidor

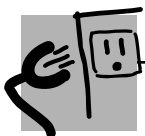
USO DE CABLES DE EXTENSION



Debido a los accidentes potenciales que pudieran ocurrir bajo determinadas condiciones, se recomienda estrictamente no usar cables de extensión.

Sin embargo, si decidiera usarlos, es absolutamente necesario que sea del tipo UL trifilar para aparatos y cuente con una clavija con conexión a tierra y que el cable eléctrico sea de 15 amperios (mínimo) y 120 voltios.

⚠ ¡ADVERTENCIA!



COMO CONECTAR LA ELECTRICIDAD

Bajo ninguna circunstancia debe cortar o quitar la tercera punta (tierra) de la clavija. Para su seguridad personal, este aparato deberá conectarse debidamente a tierra.

El cable eléctrico de este aparato está equipado con una clavija de tres puntas (tierra) que enchufa en un contacto estándar de pared de tres salidas (tierra) para reducir al mínimo la posibilidad de daños por un choque eléctrico con este aparato.

Haga que un electricista calificado verifique el enchufe de la pared y el circuito para asegurarse que la salida esté conectada debidamente a tierra.

Donde se disponga sólo de un contacto de pared con salida para dos puntas, es su responsabilidad personal y su obligación reemplazarlo por un contacto adecuado para tres puntas con conexión a tierra.

El refrigerador deberá conectarse siempre en su propio contacto eléctrico individual que tenga un voltaje que vaya de acuerdo con la tabla de clasificación.

Esto garantiza la mejor ejecución y evita la sobrecarga del circuito eléctrico de la casa y los daños a causa del sobrecalentamiento de los cables.

Nunca desconecte el refrigerador jalando el cable. Tome siempre firmemente la clavija y sáquela del contacto sin doblarla.

Repáre o reemplace inmediatamente todos los cables eléctricos de servicio que se hayan desgastado o dañado en alguna otra forma. No utilice cables que muestren roturas o daños por abrasión a lo largo de éste ni en la clavija o en alguno de sus extremos.

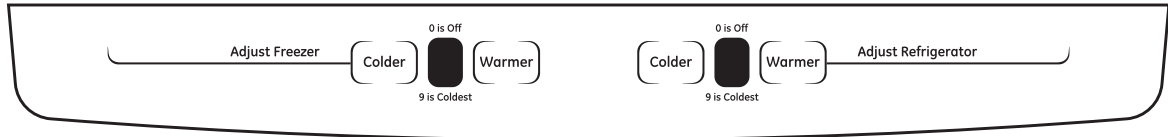
Al alejar su refrigerador de la pared, cuide que no pase sobre el cable o lo dañe.



FAVOR DE LEER Y SEGUIR CUIDADOSAMENTE LAS PRECAUCIONES DE SEGURIDAD.

GUARDE ESTAS INSTRUCCIONES

Los controles con niveles de temperaturas.



(en algunos modelos)

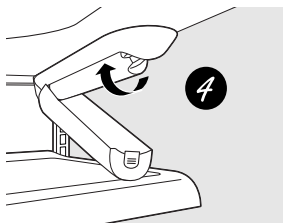
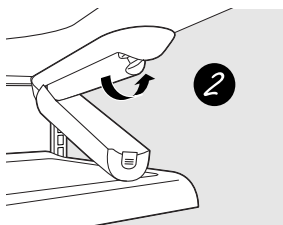
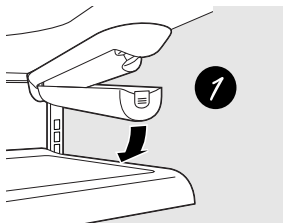
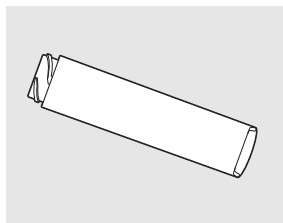


(en algunos modelos)

NOTA: El refrigerador se envía con una película de protección que cubre los controles digitales de la temperatura. Si esta película no se retiró durante la instalación, hágalo ahora.

Inicialmente, configure el control del refrigerador en **5** y el control del congelador en **5**. Deje pasar 24 horas para que la temperatura se estabilice. Pueden requerirse varios ajustes. Ajuste los controles subiendo una unidad por vez y deje pasar 24 horas después de cada ajuste para que el refrigerador alcance la temperatura que usted ha configurado.

Si se configura alguno de los dos controles o ambos controles en **0** para digital y en **0** para la perilla de control del refrigerador se detiene la refrigeración en los compartimentos del refrigerador y del congelador, pero no se corta la energía eléctrica hacia el refrigerador.



Cartucho del filtro

El cartucho del filtro de agua está ubicado en la esquina superior derecha trasera del compartimento del refrigerador.

Reemplazar el filtro

El cartucho del filtro debe cambiarse cuando disminuye el flujo de agua hacia la máquina de hielo, o cada seis meses.

Instalar el cartucho del filtro

- 1 Si está reemplazando el cartucho, primero retire el anterior. Abra la tapa del cartucho presionando la pestaña al frente y halando hacia abajo.
- 2 Retire el cartucho rotándolo lentamente en contra del sentido de las agujas del reloj. Es posible que caiga una pequeña cantidad de agua.

⚠ PRECAUCIÓN: Si se ha quedado aire atrapado en el sistema, el cartucho del filtro podría ser expulsado conforme es removido. Use precaución cuando lo remueva.

- 3 Retire el papel de aluminio protector del extremo del cartucho.
- 4 Alinee la flecha del cartucho y el soporte del cartucho, lentamente rote el cartucho en sentido de las agujas del reloj hasta que pare. Cuando el cartucho está instalado apropiadamente, usted siente un "clic" cuando encaja en su lugar. La manija en el extremo del cartucho debería estar colocada verticalmente. **No lo apriete demasiado.**
- 5 Cierre la tapa del cartucho.

Tapón de derivación del filtro

Se debe usar el tapón de derivación del filtro cuando un cartucho de filtro de reemplazamiento no se puede encontrar. El dispensador y el dispositivo para hacer hielo no pueden funcionar sin el filtro o sin el tapón de derivación del filtro.

Filtros de recambio:

Para pedir cartuchos adicionales en los Estados Unidos, visite nuestro sitio Web, ge.com, o llame a GE para partes y accesorios al 800.626.2002.

Modelo GSWF

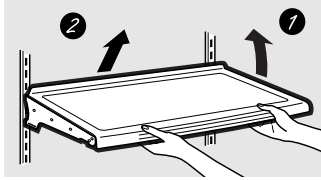
Sobre los estantes y compartimientos.

No todas las características están presentes en todos los modelos.

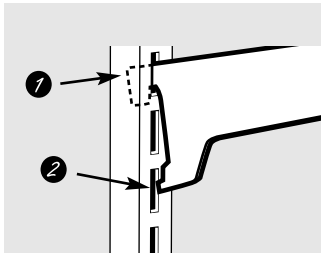
Reorganización de los estantes

Los estantes en el compartimiento del refrigerador son ajustables.

Compartimiento del refrigerador



Algunos modelos tienen estantes con cable que pueden ajustarse de la misma manera.

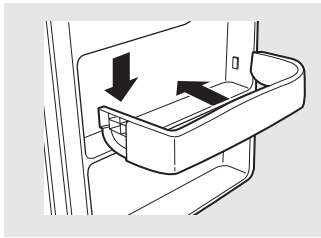


Para quitar:

- 1 Quite todos los elementos del estante.
- 2 Incline el estante en la parte del frente.
- 3 Levante el estante hacia arriba en la parte de atrás y saque el estante.

Para reemplazarlo:

- 1 Mientras inclina el estante hacia arriba, inserte el gancho superior en la parte posterior del estante en la ranura de la corredera.
- 2 Baje el frente del estante hasta que la parte inferior del estante se ajuste en su lugar.

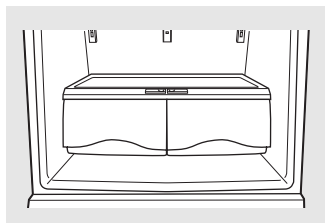


Estantes no ajustables en la puerta *(en algunos modelos)*

Para retirarlos: Levante el estante recto y luego hágelo.

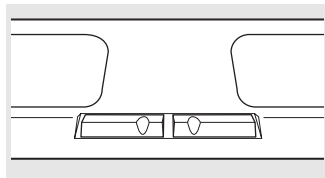
Para reemplazarlos: Inserte el estante en los soportes moldeados en la puerta y empuje hacia abajo. Éste se ajustará en su lugar.

No todas las características están presentes en todos los modelos.



Gaveta preservadora de frutas y vegetales

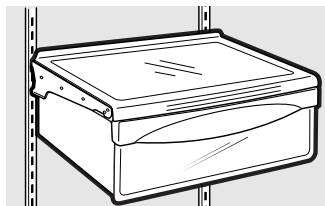
El exceso de agua que pueda acumularse al fondo de las gavetas debe retirarse y se deben limpiar las gavetas.



Gaveta preservadora de humedad ajustable (en algunos modelos)

Deslice el control completamente hasta la posición **HIGH** (alto) para ofrecer la alta humedad recomendada para la mayoría de los vegetales.

Lleve el control por completo hasta la posición **LOW** (bajo) para ofrecer los niveles bajos de humedad recomendados para la mayoría de las frutas.



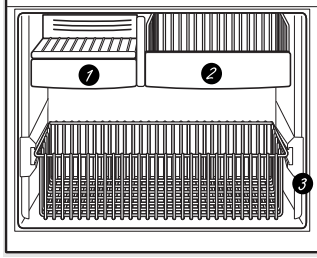
Contenedor para Deli (en algunos modelos)

Este contenedor puede moverse a la ubicación más útil para las necesidades de su familia.

Para retirarlo: Deslice el contenedor hacia fuera hasta la posición de **freno**, levante el contenedor y pase la posición de **freno** y levántela.

Sobre la gaveta del congelador. (en algunos modelos)

No todas las características están presentes en todos los modelos.

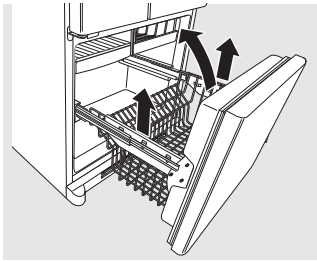


El aspecto y las características pueden variar

Estantes y canastas del congelador

- 1 Un estante por encima del recipiente para hielo
- 2 Una canasta de ancho medio
- 3 Una canasta profunda de ancho completo

NOTA: No llene las canastas más allá del borde de la canasta. Esto puede provocar que las canastas se traben o bloqueen cuando se abren o cierran.



El aspecto puede variar

Retiro de la canasta

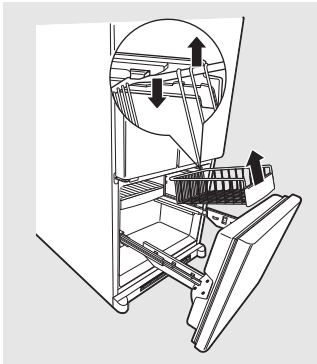
Para retirar la canasta profunda de ancho completo en los modelos con gaveta del congelador:

- 1 Abra la gaveta del congelador hasta que pare.
- 2 La canasta del congelador se apoya sobre las lengüetas internas de los deslizadores del cajón.
- 3 Levante la canasta para liberarla de las 6 lengüetas del soporte deslizador.
- 4 Incline la canasta y sáquelo del cajón.

Cuando vuelva a colocar la canasta profunda de ancho completo:

Incline la canasta hacia atrás y descíndala en el cajón. Gire la canasta a la posición horizontal y presiónela hacia abajo dentro de las 6 lengüetas de alineación.

NOTA: Siempre verifique que la canasta esté bien colocada en las 6 lengüetas del soporte deslizador antes de deslizarlo dentro del congelador. La canasta puede girarse en cualquier dirección del frente hacia atrás e instalarse en el congelador.



El aspecto puede variar

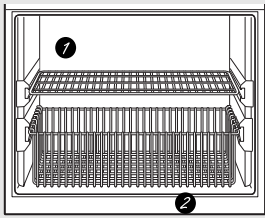
Para retirar la canasta de ancho medio:

- 1 Hale la canasta hacia fuera hasta el punto del freno.
- 2 Levante la canasta desde el frente para liberarla de las trabas ubicadas a cada lado.
- 3 Levante la canasta para quitarla de los lados.

Al reemplazar la canasta, asegúrese de que la canasta quede bajo las trabas ubicadas a cada lado.

NOTA: Siempre cerciórese de cerrar completamente la canasta.

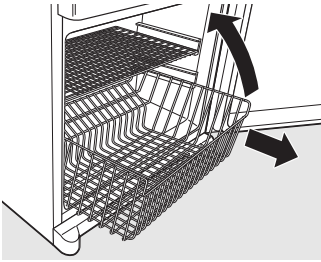
No todas las características están presentes en todos los modelos.



Estante y canasta del congelador

- 1 Un estante fijo de alambre de ancho completo
- 2 Una canasta deslizable de alambre de ancho completo

NOTA: No llene la canasta más allá del límite del borde. Esto puede provocar que la canasta se trabe o bloquee cuando se abre o cierra.



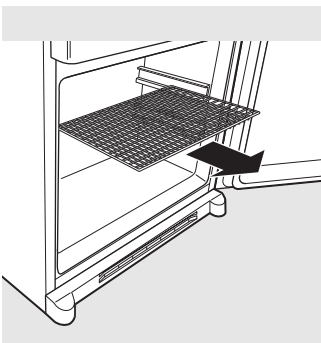
Retiro de la canasta

Para quitar la canasta deslizable de alambre de ancho completo en los modelos con puerta:

- 1 Abra la canasta en su extensión total.
- 2 Levante la parte frontal de la canasta y tire hacia afuera para quitarla.

Cuando vuelva a colocar la canasta deslizable de alambre de ancho completo:

Introduzca la canasta de alambre dentro de los rieles **inferiores** y empuje hasta colocar en su lugar.



Remoción del estante fijo

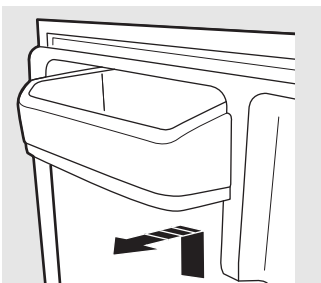
NOTA: El estante de alambre de ancho completo no está diseñado para deslizarse.

Cómo quitarlo para limpiarlo:

Sostenga el estante desde el frente y tire del mismo con firmeza hacia adelante.

Cuando vuelva a colocar el estante deslizable de alambre de ancho completo:

Introduzca el estante de alambre dentro de los rieles **superiores** y empuje hasta colocar en su lugar.

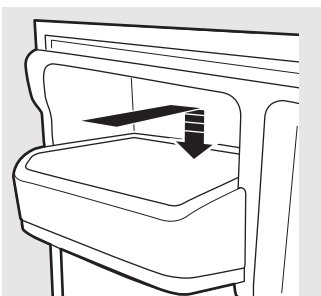


To remove

Estante no ajustable de la puerta del congelador

Para retirarlos: Levante el estante recto y luego hálelo.

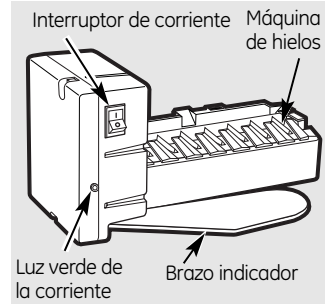
Para reemplazarlos: Inserte el estante en los soportes moldeados en la puerta y empuje hacia abajo. Éste se ajustará en su lugar.



To replace

Sobre la máquina de hielo automática. (en algunos modelos)

Un refrigerador recientemente instalado puede tomar entre 12 y 24 horas para empezar a hacer hielo.



Máquina de hielo automática

La máquina de hielos producirá siete cubos por ciclo, aproximadamente entre 100 y 130 cubos en un periodo de 24 horas, dependiendo de la temperatura del compartimiento del congelador, la temperatura del cuarto, el número de veces que se abre la puerta y otras condiciones de uso.

Vea más abajo para la forma de alcanzar el hielo y el interruptor eléctrico.

Si el refrigerador se opera antes de hacer la conexión del agua hacia la máquina de hielo, fije el interruptor de corriente en la posición **O (apagado)**.

Cuando se haya conectado el refrigerador al suministro de agua, fije el interruptor de corriente en la posición **I (encendido)**. La luz de encendido del dispositivo de hacer hielo será de color verde cuando el interruptor de la luz del congelador esté pulsado o cuando la puerta del congelador se encuentre cerrada.

La máquina de hielos se llenará de agua cuando se enfríe a -10°C (15°F). Un refrigerador recién instalado se puede tomar entre 12 y 24 horas para empezar a hacer cubos de hielo. Escuchará un zumbido cada vez que la máquina de hielos se llene de agua.

Deseche los primeros cubos de hielo para permitir que la línea del agua se limpie.

Asegúrese de que nada interfiera con el movimiento del brazo indicador.

Cuando el contenedor se llene al nivel del brazo indicador, la máquina de hielos dejará de producir hielos. Es normal que varios cubos de hielo se junten.

Si el hielo no se usa con frecuencia, los cubos de hielo viejo se volverán turbios, con sabor rancio y se encogerán.

NOTA: En hogares con presión de agua inferior al promedio, es posible que escuche el ciclo de la máquina de hielos varias veces al hacer un lote de hielo.

NOTA: Configure el interruptor de energía en la posición **O (apagado)** si el suministro de agua está apagado.

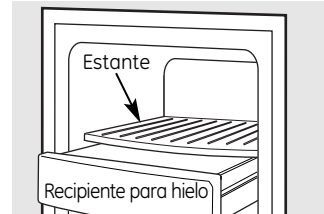


Para alcanzar el interruptor eléctrico.

Cómo alcanzar el hielo y el interruptor eléctrico

Para alcanzar el interruptor eléctrico de la máquina de hielos, hale el estante por encima del recipiente para hielo directamente hacia fuera. Siempre cerciórese de reemplazar el estante.

Para alcanzar el hielo, simplemente hale el recipiente hacia delante.



Para alcanzar el hielo

Kit de accesorios de la máquina de hielos

Si su refrigerador no viene ya equipado con una máquina de hielos automática, existe un kit accesorio para la máquina de hielos que está disponible por un costo adicional.

Revise en la parte posterior del refrigerador en busca del kit para la máquina de hielos específica que necesita para su modelo.

Limpiar el exterior

Las manijas de la puerta y los ornamentos.

Se limpian con un paño humedecido con una solución de detergente suave y agua. Seque con un paño suave. No use cera en las manijas de la puerta ni en los ornamentos.

Mantenga limpio el terminado.

Limpie con un paño limpio ligeramente humedecido con cera para aparatos de cocina o un detergente suave y agua. Seque y pule con un paño limpio y suave.

No limpie el refrigerador con un paño sucio para trastes ni con un paño húmedo. Estos podrían dejar residuos que afecten a la pintura. No use estropajos, limpiadores en polvo, blanqueadores ni limpiadores que contengan blanqueador, ya que estos productos podrían rayar y desprender el acabado de pintura.

Los paneles y las manijas de las puertas de acero inoxidable.

Acero inoxidable (en algunos modelos) pueden ser limpiados con un limpiador para acero inoxidable para usos comerciales.

No utilice cera para electrodomésticos sobre el acero inoxidable.

Limpiar el interior

Para evitar olores, deje una caja abierta de bicarbonato de sodio en los compartimientos del refrigerador y del congelador.

Desconecte el refrigerador antes de limpiarlo. Si no fuera posible, exprima el exceso de humedad de la esponja o del paño cuando se limpie alrededor de botones, bombillas o controles.

Use cera para electrodomésticos en el interior entre las puertas.

Use agua caliente y una solución de bicarbonato de sodio—aproximadamente una cucharada (15 ml) de bicarbonato de sodio por cada cuarto (1 litro) de agua. Esta solución limpia y neutraliza olores. Enjuague y seque.

Después de limpiar los sellos magnéticos de las puertas, aplique una capa delgada de vaselina del lado de la bisagra. Esto ayuda a evitar que los sellos magnéticos se doblen o se peguen.

Evite limpiar los estantes de vidrio fríos con agua caliente, ya que la extrema diferencia de temperatura puede hacer que se quiebren. Maneje los estantes de vidrio con cuidado. Chocar vidrio templado puede hacer que se rompa en pedazos.

No lave partes plásticas del refrigerador en el lavaplatos.

Atrás del refrigerador

Se deberá tener cuidado al retirar el refrigerador de la pared. Todos los tipos de recubrimiento de pisos se pueden dañar, sobre todo los recubrimientos acojinados y los que tienen superficies repujadas.

Eleve las patas niveladoras ubicadas en la parte inferior frontal del refrigerador.

Hale el refrigerador en forma recta y empuje nuevamente para devolverlo a su posición. Mover el refrigerador

en dirección lateral puede causar daños al recubrimiento del piso o al refrigerador.

Baje las patas niveladoras hasta que toquen el piso.

Al empujar el refrigerador a su lugar, asegúrese de no pasar sobre el cable eléctrico ni sobre la línea de alimentación de la máquina de hielos (en algunos modelos).

Preparación para vacaciones

En el caso de vacaciones o ausencias prolongadas, quite los alimentos y desenchufe el refrigerador. Limpie el interior con solución de bicarbonato de una cucharada (15 ml) de bicarbonato por un cuarto (1 litro) de agua. Deje abiertas las puertas.

Coloque el interruptor de alimentación eléctrica de la máquina de hielo en la posición **O (apagado)** y cierre el suministro de agua al refrigerador.

Si la temperatura pueda llegar al punto de congelación, haya una persona calificada para desaguar el sistema del suministro de agua para evitar daños a la propiedad causados por inundación.

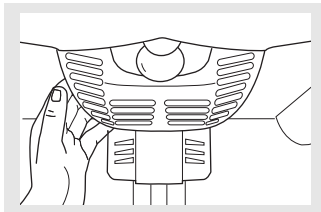
En caso de mudanza

Asegure todos los elementos sueltos como parrilla de la base, entrepaños y recipientes pegándolos con cinta adhesiva en su lugar para evitar daños.

Al usar una carretilla para mover el refrigerador, no haga descansar la parte frontal o trasera del refrigerador contra la carretilla. Esto podría dañar el refrigerador. Manéjelo sólo desde los laterales del refrigerador.

Asegúrese de que el refrigerador se coloque en posición vertical durante la mudanza.

Girar el control a la posición **Off (apagado)** no elimina la corriente en el circuito de luces.



Luces del refrigerador

⚠ PRECAUCIÓN:

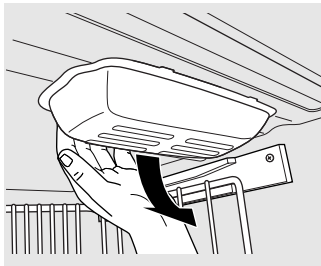
Las bombillas podrían estar calientes.

- 1 Desconecte el refrigerador.
- 2 Para retirar el protector de la luz, tome el protector por la parte posterior y hale hacia fuera para liberar las pestañas en la parte posterior.
- 3 Rote el protector hacia abajo y luego hacia delante para liberar las pestañas al frente del protector.

- 4 Después de reemplazarlo con una bombilla de electrodomésticos del mismo o de inferior voltaje, reemplace el protector.

- 5 Conecte de nuevo el refrigerador.

NOTA: Las bombillas del artefacto pueden solicitarse en Piezas y Accesorios de GE, 800.626.2002.



El aspecto puede variar

Luz del congelador

⚠ PRECAUCIÓN:

Las bombillas podrían estar calientes.

- 1 Desconecte el refrigerador.
- 2 La bombilla está ubicada en la parte superior del compartimiento del congelador al interior de un protector para la luz. Para retirar el protector, tome el protector por la parte posterior y hale hacia fuera para liberar las pestañas en la parte posterior.
- 3 Rote el protector hacia abajo y luego hacia delante para liberar las pestañas al frente del protector.

- 4 Después de reemplazarlo con una bombilla de electrodomésticos del mismo o de inferior voltaje, reemplace el protector.

- 5 Conecte de nuevo el refrigerador.

Instrucciones para la Instalación

Refrigerador

Modelos 20 y 22

¿Preguntas? Llame al 800.GE.CARES (800.432.2737) o bien Visite nuestra página Web: ge.com

ANTES DE INICIAR

Lea estas instrucciones completa y cuidadosamente.

- **IMPORTANTE** – Guarde estas instrucciones para uso del inspector local.
- **IMPORTANTE** – Observe todos los códigos y órdenes de ley.
- **Nota al instalador** – Asegúrese de dejar estas instrucciones con el consumidor.
- **Nota al consumidor** – Conserve estas instrucciones para referencia futura.
- **Nivel de destreza** – La instalación de este aparato requiere de destrezas mecánicas básicas.
- **Tiempo de ejecución** – Instalación del refrigerador 20 minutos
Instalación de la línea de agua 30 minutos
- La instalación apropiada es la responsabilidad del instalador.
- La falla del producto debido a una instalación inadecuada no está cubierta por la garantía.

PREPARACIÓN

CÓMO MOVER EL REFRIGERADOR AL INTERIOR

Si el refrigerador no entra por una puerta, se pueden retirar la puerta del refrigerador y la gaveta del congelador.

- Para retirar la puerta del refrigerador, consulte el Paso 1 en la sección *Cómo invertir el vaivén de la puerta*.
- Para retirar la gaveta del congelador, consulte la sección *Cómo retirar la gaveta del congelador*.

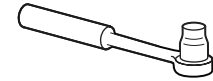
SUMINISTRO DE AGUA HACIA LA MÁQUINA DE HIELOS Y EL DISPENSADOR (EN ALGUNOS MODELOS)

Si el refrigerador tiene una máquina de hielos, se tendrá que conectar a una tubería de agua potable fría. Un kit de suministro de agua (contiene tubería, válvula de cierre, accesorios e instrucciones) está disponible con un costo adicional a través de su proveedor, visitando nuestra página Web ge.com o bien a través de Partes y Accesorios, 800.626.2002.

HERRAMIENTAS QUE USTED PUEDE NECESITAR



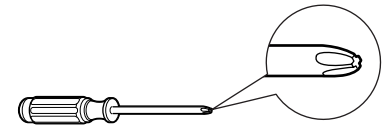
Llave ajustable



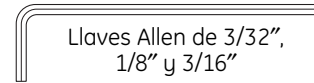
Destornillador de casquillo de 3/8" y de 5/16"



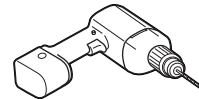
Tuerca de compresión de 1/4" y férula (manga) (modelos con máquina de hielos solamente)



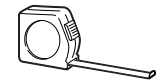
Destornillador Phillips



Llaves Allen de 3/32", 1/8" y 3/16"



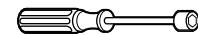
Broca de perforadora de 1/8" y perforadora eléctrica o de mano



Cinta métrica



Lápiz



Llave de tuercas de 1/4"



Pinza corta alambres



Nivel

Instrucciones para la instalación

INSTALACIÓN DEL REFRIGERADOR

UBICACIÓN DEL REFRIGERADOR

- No instale el refrigerador donde la temperatura baje de 60°F (16°C) ya que no correrá con suficiente frecuencia para mantener las temperaturas apropiadas.
- No instale el refrigerador donde la temperatura suba por encima de 100°F (37°C) ya que no funcionará correctamente.
- Instálelo en un piso fuerte para que lo soporte con carga completa.

ESPACIO LIBRE

Permita el siguiente espacio para una fácil instalación, apropiada circulación del aire y conexiones de plomería y eléctricas:

Modelos de profundidad estándar

Costados	1/8" (3 mm)
Arriba	1" (25 mm)
Atrás	1" (25 mm)

RETIRO DE LA TAPA SUPERIOR (en algunos modelos)

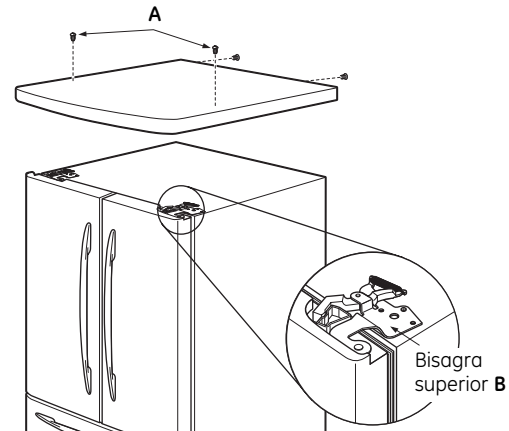
- **NOTA IMPORTANTE:** Este refrigerador tiene una profundidad de 34¹/₂ pulgadas. Las puertas y los pasillos que llevan a la ubicación de la instalación deben tener un ancho de por lo menos 36 pulgadas para dejar las puertas y las manijas conectadas al refrigerador mientras éste se transporta a la ubicación de la instalación. Si los pasillos tienen menos que 36 pulgadas, las puertas y las manijas del refrigerador se pueden rayar y dañar con facilidad. Se pueden retirar la tapa superior y las puertas para permitir el traslado seguro del refrigerador al interior. Empiece con el Paso A.
- Omita el Paso A si no se necesita retirar las puertas. Deje la cinta y todo el embalaje en las puertas hasta que el refrigerador se encuentre en su destino final.
- **REMOCIÓN DE LA CORREDERA:** Incline el refrigerador hacia ambos lados para retirar la corredera.
- **NOTA:** Utilice una carretilla de mano almohadillada para trasladar el refrigerador. Coloque el refrigerador en la carretilla de mano con un costado contra la carretilla. Recomendamos fuertemente que **DOS PERSONAS** trasladen y completen la instalación.

- A** Localice y retire los dos tornillos de cabeza Phillips en la parte superior del refrigerador. Retire los dos tornillos en cada lado en la parte posterior de la tapa superior. Despegue y retire la tapa superior.
- B** Retire la(s) puerta(s) de la comida fresca. Consulte los Pasos 1 y 3 en la sección titulada "Cómo invertir el vaivén de la puerta" o los Pasos 1 y 2 en la sección titulada "Cómo retirar las puertas".
- C** Retire la gaveta o la puerta del congelador inferior. Consulte la sección titulada "Cómo retirar la gaveta del congelador" o los Pasos 2 en la sección titulada "Cómo invertir el vaivén de la puerta".
- D** Traslade el refrigerador a la ubicación de la instalación.

RETIRO DE LA TAPA SUPERIOR (cont.) (en algunos modelos)

REINSTALACIÓN DE LAS PUERTAS, GAVETAS Y LA TAPA SUPERIOR

- E** Baje la(s) puerta(s) cuidadosamente a la bisagra(s) central. Reinstale la(s) bisagra(s) superior. **NOTA:** Cerciérese que la puerta se encuentre alineada apropiadamente con la parte superior de la tapa para evitar el reajuste de la puerta durante la reinstalación de la tapa superior.
- F** Coloque la tapa sobre la parte superior del refrigerador. Reinstale los tornillos originales en la parte superior y la trasera de la tapa.
- G** Reinstale la gaveta inferior del congelador. Consulte la sección titulada "Cómo reemplazar la gaveta del congelador" o los Pasos 2 en la sección titulada "Cómo invertir el vaivén de la puerta".



1 CÓMO CONECTAR EL REFRIGERADOR A LA LÍNEA DE AGUA DE LA CASA (los modelos de máquinas de hielo)

Se requiere un suministro de agua fría para la operación de la máquina de hielos. Si no existe un suministro de agua fría, usted necesitará hacer uno. Ver la sección *Instalación de la tubería de agua*.

NOTAS:

- Antes de hacer la conexión, cerciérese de que el cable eléctrico del refrigerador no esté conectado al interruptor de la pared.
- Si el refrigerador no tiene un filtro de agua, recomendamos que instale uno si su suministro de agua tiene arena o partículas que pudieran obstruir la pantalla de la válvula de agua del refrigerador. Instálelo en la línea de agua cerca del refrigerador. Si usted está usando un kit de tubería de refrigeración GE SmartConnect,™ usted necesitará una tubería adicional (WX08X10002) para conectar el filtro. No corte tuberías plásticas para instalar el filtro.

- A** Si usted está usando tubería de cobre, coloque una tuerca de compresión y una férula (manga) en el extremo de la tubería que viene del suministro de agua fría de la casa. Si se encuentra usando tuberías de GE SmartConnect,™ las tuercas están ya ensambladas a la tubería.

Instrucciones para la instalación

INSTALACIÓN DEL REFRIGERADOR (cont.)

1 CÓMO CONECTAR EL REFRIGERADOR A LA LÍNEA DE AGUA DE LA CASA (cont.)

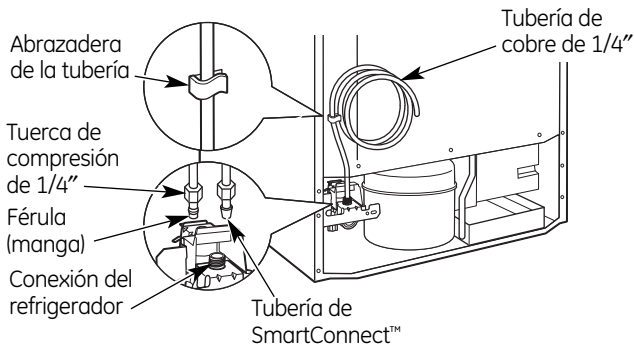
B Si usted está usando tubería de cobre, inserte el extremo de la tubería en la conexión del refrigerador, en la parte posterior del refrigerador, hasta donde sea posible. Mientras sostiene la tubería, apriete el accesorio.

Si se encuentra usando tuberías de GE SmartConnect™, inserte el extremo moldeado de la tubería en la conexión del refrigerador en la parte posterior del refrigerador, y apriete la tuerca de compresión hasta que esté apretada a mano. Entonces apriete una vuelta adicional con una llave. Si la aprieta demasiado causará fugas.

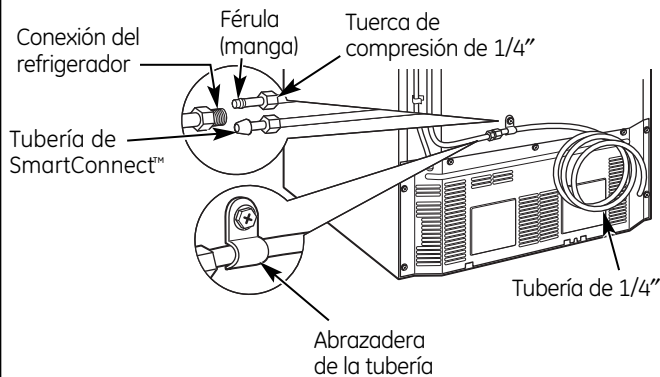
C Apriete la tubería en la abrazadera proporcionada para sostenerla en su posición. Es posible que usted necesite levantar la abrazadera haciendo palanca.

Una de las ilustraciones siguientes será el aspecto de la conexión que tendrá su refrigerador.

Modelos preparados por la instalación de la máquina de hielo

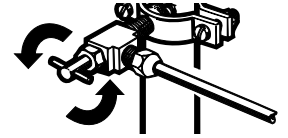


Modelos con máquina de hielo instalada



2 ACTIVE LA CONEXIÓN DE AGUA (modelos con la máquina de hielos)

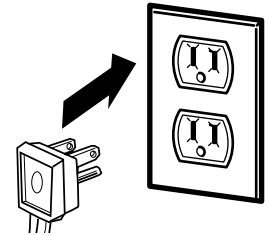
Haga pasar la corriente de agua en la válvula de cierre (el suministro de agua de la casa) e inspeccione en busca de fugas.



3 CONECTE EL REFRIGERADOR

En modelos con la máquina de hielos: antes del conectar el refrigerador, cerciórese de que el interruptor de la máquina de hielos está colocada en la posición **O** (apagado).

Ver la información adjunta sobre la conexión a tierra del cable eléctrico.



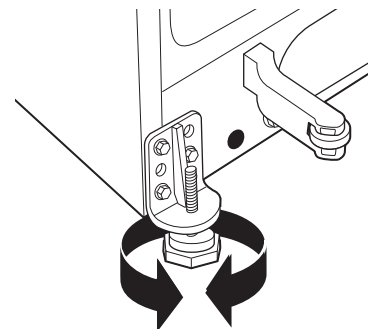
4 COLOQUE EL REFRIGERADOR EN SU LUGAR

Traslade el refrigerador a su ubicación final.

5 NIVELE EL REFRIGERADOR

Deben instalarse **patas ajustables** en las esquinas frontales del refrigerador para que éste se encuentre bien asentado en el piso, y el frente debe estar lo suficientemente elevado para que la puerta cierre con facilidad cuando se abre hasta alrededor de la mitad.

Para ajustar las patas niveladoras, gire las patas **en sentido de las agujas del reloj** para levantar el refrigerador o **en sentido contrario a las agujas del reloj** para bajarlo.



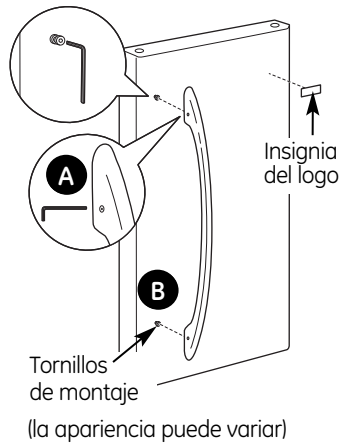
Instrucciones para la instalación

6 RETIRE LA MANIJA DE LA PUERTA DE ALIMENTOS FRESCOS

(Para la colocación en el lugar de instalación o la inversión de las manijas - en algunos modelos)

Manija de acero inoxidable (en algunos modelos):

- A** CÓMO REMOVER LA MANIJA DE LA PUERTA: Afloje los tornillos de fijación con una llave Allen de 3/32" y retire la manija. **NOTA:** Para modelos de doble puerta siga el mismo procedimiento en la puerta opuesta.

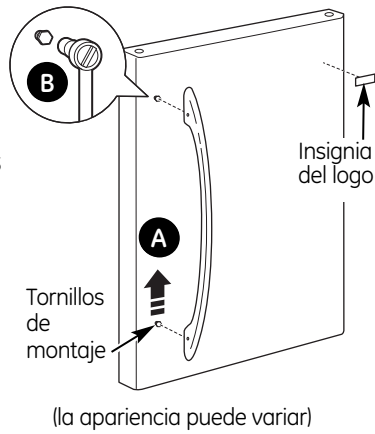


Manija plástica (en algunos modelos):

- A** CÓMO QUITAR LA MANIJA DE LA PUERTA: Baje la lengüeta ubicada en la parte inferior de la manija y deslícela hacia arriba, sacándola de las fijaciones.

- B** PARA INVERTIR LA MANIJA DE LA PUERTA (en algunos modelos):

- Retire los tornillos de montaje de la manija con una llave Allen de 3/16" y traslade los tornillos de montaje de la manija al lado derecho.



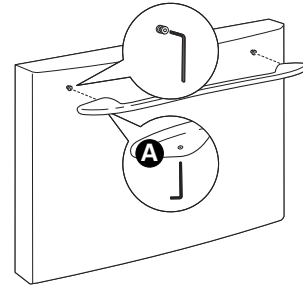
- Quite la insignia del logo.
- Remover y transferir el tapón al lado izquierdo de la puerta de alimentos frescos. **NOTA:** Use un elemento plástico y plano a fin de no dañar la puerta. Quite los restos de adhesivo de la puerta con un detergente suave. Retire la cobertura de papel de la parte trasera de la insignia del logo antes de colocar la chapa sobre la puerta.

7 RETIRE LA MANIJA DE LA PUERTA DEL CONGELADOR

Manijas de acero inoxidable y plástico:

- A** Afloje los tornillos de fijación ubicados en la parte inferior de la manija con una llave Allen de 1/8" y retire la manija.

NOTA: Para ajustar o retirar los tornillos de montaje de la manija, utilice una llave Allen de 3/16".



Instrucciones para la instalación

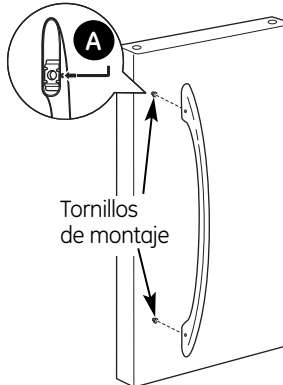
INSTALACIÓN DEL REFRIGERADOR (cont.)

8 SUJETE LA MANIJA DE LA PUERTA DE ALIMENTOS FRESCOS

Manija de acero inoxidable:

- A Sujete la manija a los tornillos de montaje y ajuste los tornillos de fijación con una llave Allen de 3/32".

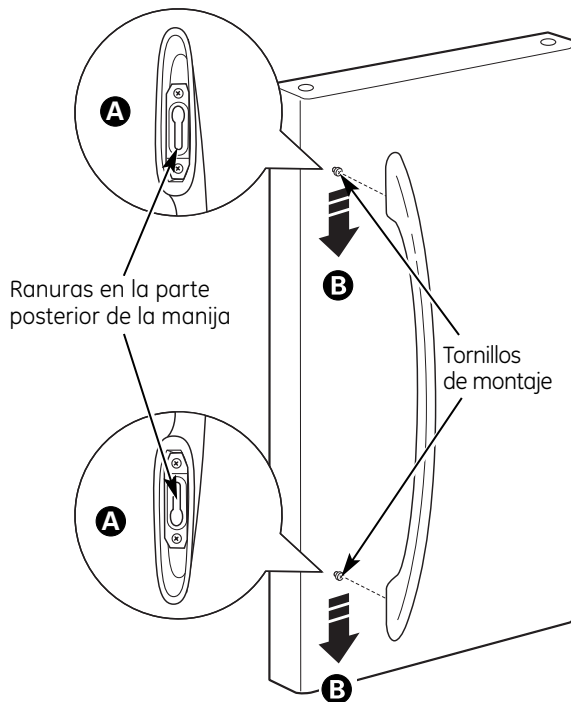
NOTA: Para modelos de doble puerta siga el mismo procedimiento en la puerta opuesta.



(la apariencia puede variar)

Manija plástica:

- A Para sujetar la manija a los tornillos de montaje alinee las ranuras con los tornillos de montaje.
- B Deslícela hasta que encaje firmemente en su lugar.

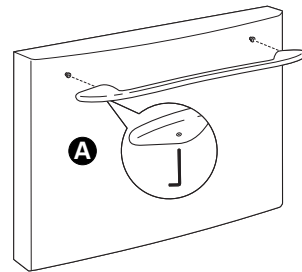


(la apariencia puede variar)

9 SUJETE LA MANIJA DE LA PUERTA DEL CONGELADOR

Manijas de acero inoxidable y plástico:

- A Sujete la manija firmemente a los tornillos de montaje y ajuste los tornillos de fijación en la parte inferior de la manija con una llave Allen de 1/8".



(la apariencia puede variar)

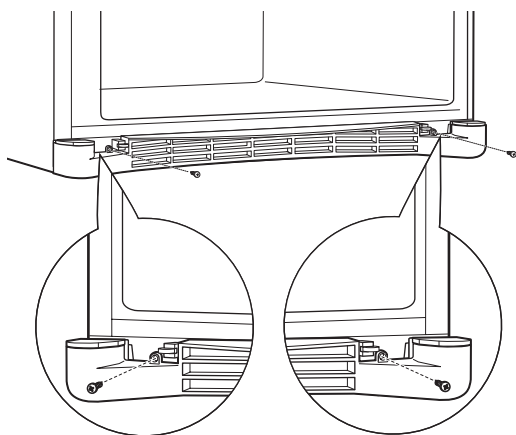
Instrucciones para la instalación

10 CÓMO NIVELAR EL REFRIGERADOR

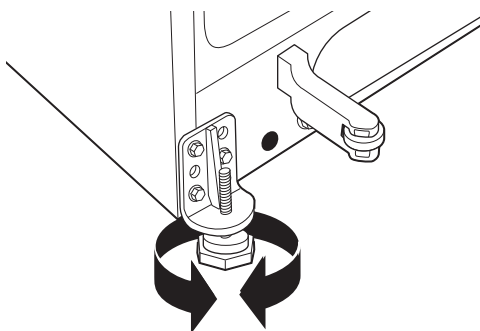
Las patas niveladoras tienen dos propósitos:

- 1) Las patas niveladoras se ajustan para que el refrigerador esté colocado firmemente en el piso y no tambalee.
- 2) Las patas niveladoras sirven como un freno estabilizador para sostener el refrigerador firmemente en posición durante la operación y limpieza. Las patas niveladoras también evitan que el refrigerador se incline.

A Saque la parrilla quitando los dos tornillos Phillips.



B Gire las patas niveladoras **en sentido de las agujas del reloj** para levantar el refrigerador, y **en contra de las agujas del reloj** para bajarlo.

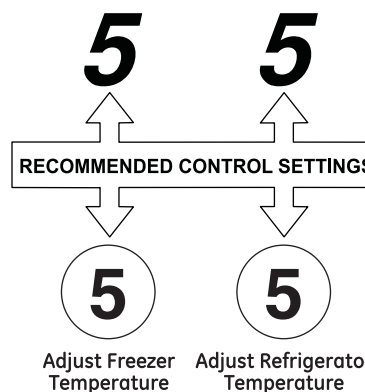
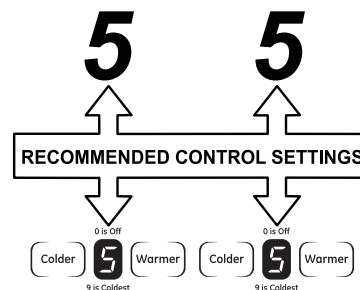


⚠ PRECAUCIÓN: Para evitar posibles lesiones personales o daños a la propiedad, las patas niveladoras deben tocar firmemente el piso.

C Vuelva a colocar la parrilla introduciendo los dos tornillos Phillips.

11 AJUSTE LOS CONTROLES

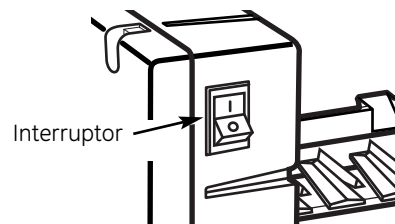
Ajuste los controles donde se recomienda.



12 RETIRE EL EMBALAJE, INICIE LA MÁQUINA DE HIELO (modelos con máquina de hielos)

- A) Retire toda la cinta y el embalaje protector y de espuma de las repisas y las gavetas.
- B) Retire los amarres de las canastas del congelador.
- C) Coloque la casta de mitad de ancho en las correderas de la gaveta. Consulte la sección titulada Acerca del congelador para las instrucciones.

Fije el interruptor de la máquina de hielos en la posición de **I (encendido)**. La máquina de hielos no empezará a operar hasta que alcance su temperatura de operación de 15° F (-9° C) o menor. Luego, empezará a operar automáticamente. Será necesario de 2 a 3 días para que se llene el recipiente para hielo.



NOTA: En condiciones de menor presión del agua, la válvula de agua puede encenderse hasta 3 veces para suministrar suficiente agua a la máquina de hielos.

Instrucciones para la instalación

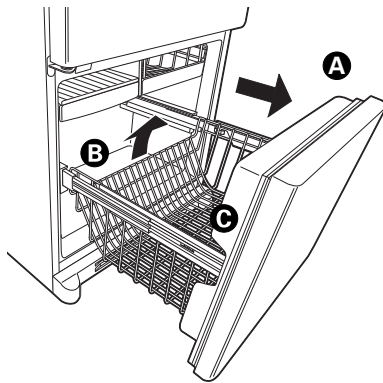
CÓMO RETIRAR LA GAVETA DEL CONGELADOR (en algunos modelos)

Si es necesario, es posible retirar la gaveta del congelador para que el refrigerador quepa en áreas estrechas.

Lea estas instrucciones completa y cuidadosamente.

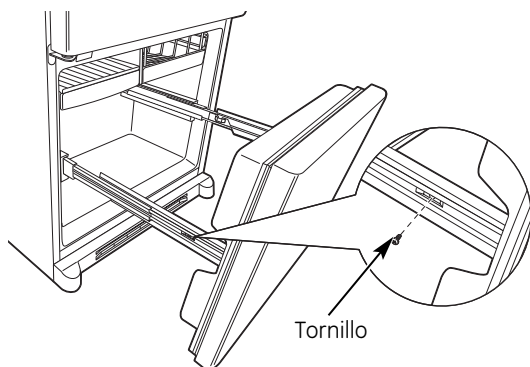
1 RETIRE LA CANASTA

- A** Abra la gaveta del congelador hasta que pare.
- B** La canasta del congelador descansa en un marco al interior de la gaveta del congelador. Levante la canasta en la parte posterior.
- C** Levante el frente y suba la canasta completa hacia arriba y afuera de la gaveta.



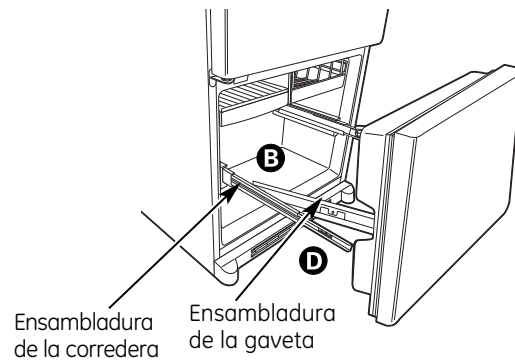
2 RETIRE EL FRENTE DE LA GAVETA

- A** Retire el tornillo en cada lado de las correderas.



2 RETIRE EL FRENTE DE LA GAVETA (cont.)

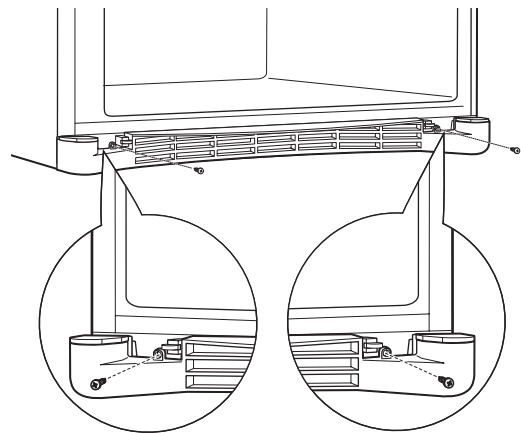
- B** Levante ambos lados de la manija de la gaveta del congelador para separar las correderas de la gaveta de las ensambladuras de las correderas.
- C** Coloque el frente de la gaveta en una superficie donde no se raye.
- D** Empuje las ensambladuras de las correderas hasta la posición de bloqueo.



3 RETIRE LA REJILLA DE LA BASE (si es necesario)

Si después de retirar la gaveta del congelador y la puerta del refrigerador, el refrigerador todavía no cabe a través de una puerta, se pueden retirar la rejilla de la base.

- A** Saque la parrilla base quitando los dos tornillos.



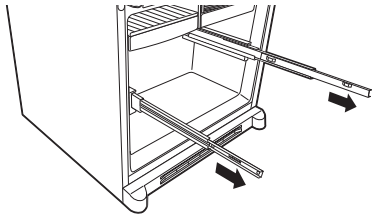
Instrucciones para la instalación

CÓMO REEMPLAZAR LA GAVETA DEL CONGELADOR (en algunos modelos)

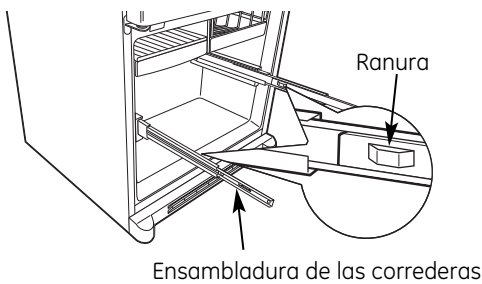
I Es posible que sean necesarias dos personas para completar este procedimiento.

1 UNA Y ASEGURE EL FRENTE DE LA GAVETA A LAS CORREDERAS

A Hale las ensambladuras de las correderas hasta la máxima longitud en cada lado del gabinete.

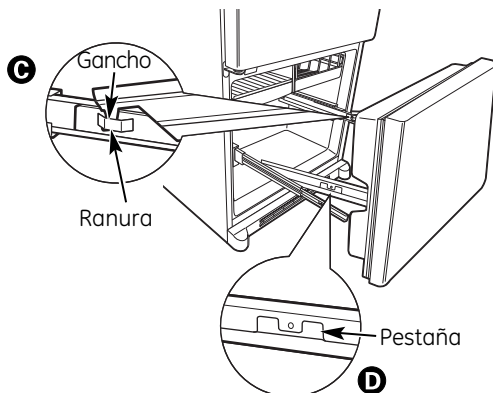


B Encuentre las ranuras al interior de las ensambladuras de las correderas cerca de la parte posterior.



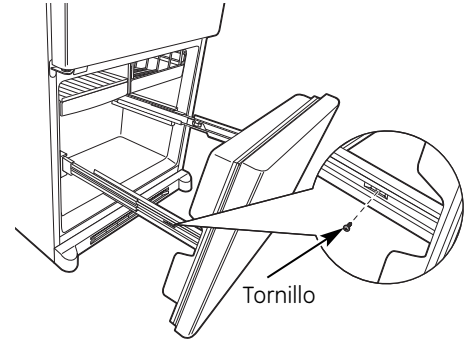
C Inserte los ganchos en la parte posterior de las correderas de la gaveta en las ranuras de las ensambladuras de las correderas.

D Baje el frente de la gaveta, cerciorándose de que las pestañas en los lados de las correderas calcen en las ranuras delanteras de las ensambladuras de las correderas.



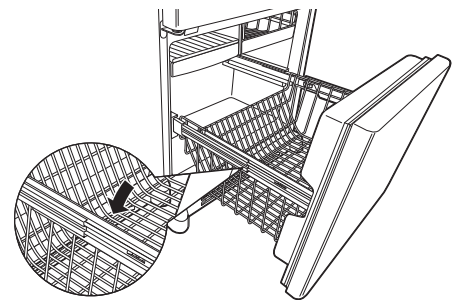
1 UNA Y ASEGURE EL FRENTE DE LA GAVETA A LAS CORREDERAS (cont.)

E Reemplace los tornillos en ambas ensambladuras de las correderas.



2 REEMPLACE LA CANASTA DEL CONGELADOR

Reemplace la canasta más baja del congelador bajándola hasta el marco.



Instrucciones para la instalación

CÓMO INVERTIR EL VAIVÉN DE LA PUERTA (Modelos de refrigerador de una sola puerta únicamente)

NOTAS IMPORTANTES

Al invertir el vaivén de la puerta:

NOTA: El vaivén de la puerta no es reversible en modelos de acero inoxidable.

- Lea las instrucciones completas antes de empezar.
- Las piezas están incluidas en el conjunto de bisagras de la puerta.
- Manipule las partes con cuidado para evitar rayar la pintura.
- Coloque los tornillos según las partes a las que corresponden para evitar usarlos en el lugar incorrecto.
- Disponga de una superficie de trabajo que no raye para colocar las puertas.

IMPORTANTE: Una vez empiece, no mueva el gabinete hasta que la inversión del vaivén de la puerta no esté completa.

Estas instrucciones son para cambiar las bisagras del lado derecho al lado izquierdo—si alguna vez desea cambiar nuevamente las bisagras al lado derecho, siga estas mismas instrucciones e invierta todas las referencias de izquierda y derecha.

- Una vez que se ha finalizado la inversión del vaivén de la puerta, retire la cobertura adhesiva de la parte trasera de la chapa del logo y asegúrese de que ésta se encuentre correctamente alineada y fijada a la puerta.
NOTA: Una insignia del logo de cambio es incluido en el kit de bisagras.

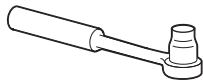
Desconecte el refrigerador de la toma eléctrica.

Desocupe todos los estantes de la puerta, incluyendo el compartimento de productos lácteos.

HERRAMIENTAS NECESARIAS



Llave ajustable



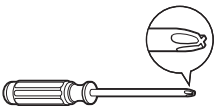
Destornillador de casquillo de 5/16"



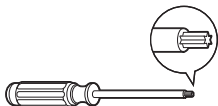
Cinta de enmascarar



Destornillador de pala plana



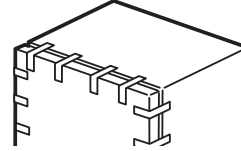
Destornillador Phillips



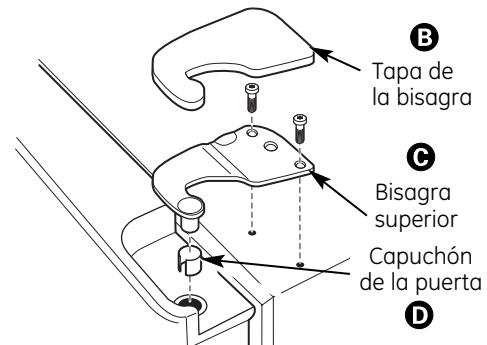
Llave torx T-20

1 RETIRE LA PUERTA DEL REFRIGERADOR

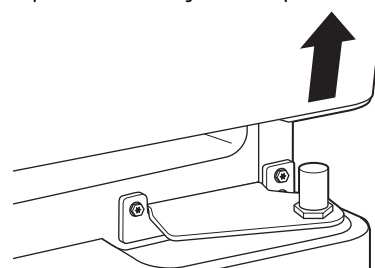
- A** Pegue la puerta por completo con cinta.



- B** Saque la tapa de la bisagra de la parte superior del refrigerador destrabándola cuidadosamente con una espátula, si fuera necesario.
- C** Con un destornillador de casquillo de 5/16", retire los pernos que aseguran la bisagra superior al gabinete. Luego, levante la bisagra directamente hacia arriba para liberar el pasador de la bisagra de la boquilla en la parte superior de la puerta.
- D** Con cuidado quite el capuchón de la puerta desde dentro de la boquilla. Esto se usará de nuevo cuando vuelva a instalar la puerta sobre el otro lado.



- E** Retire la cinta e incline la puerta en dirección contraria al gabinete. Levante la puerta del pasador de la bisagra central. Cerciérese de que el dedal plástico del pasador de la bisagra permanezca en el pasador de la bisagra o al interior del orificio del pasador de la bisagra de la puerta que se encuentra en la parte de abajo de la puerta.

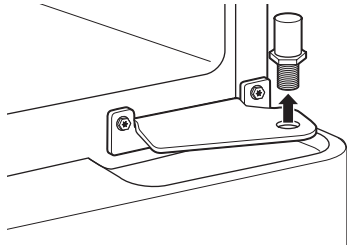


- F** Coloque la puerta en una superficie que no raye con la parte interior hacia arriba.

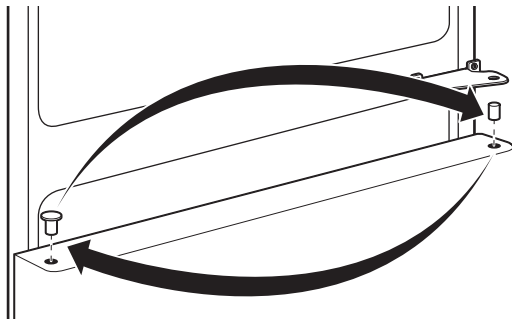
Instrucciones para la instalación

2 RETIRE LA PUERTA DEL CONGELADOR

- A** Pegue la puerta por completo con cinta.
- B** Quite el pasador de la bisagra del soporte de la bisagra. Este volverá a usarse con el nuevo soporte de la bisagra en el otro lado.



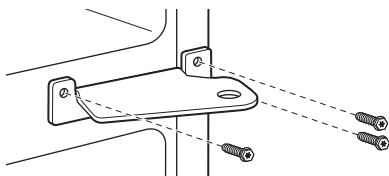
- C** Retire la cinta e incline la puerta en dirección contraria al gabinete. Levante la puerta del pasador de la bisagra inferior.
- D** Quite el tapón del botón del lado izquierdo de la puerta. Quite el dedal de la puerta del lado derecho de la misma. Instale el dedal de la puerta dentro del orificio de la izquierda y el tapón del botón dentro del orificio de la derecha.



- E** Coloque la puerta en una superficie que no raye con la parte interior hacia arriba.

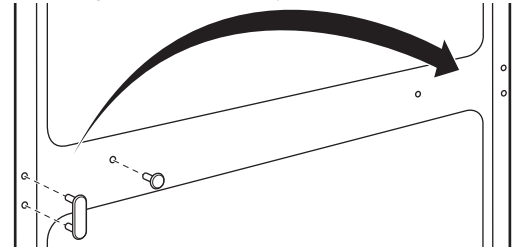
3 TRASLADÉ EL SOPORTE DE LA BISAGRA CENTRAL

- A** Mediante un destornillador de casquillo de 5/16", quite los pernos que sujetan la bisagra central al gabinete.

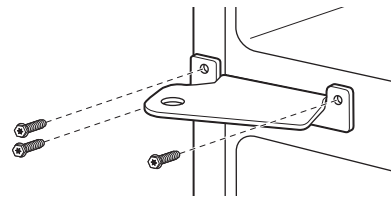


3 TRASLADÉ EL SOPORTE DE LA BISAGRA CENTRAL (cont.)

- B** Pase al lado derecho el botón obturador y tapa de orificio de tornillo de los orificios de la bisagra del lado izquierdo.

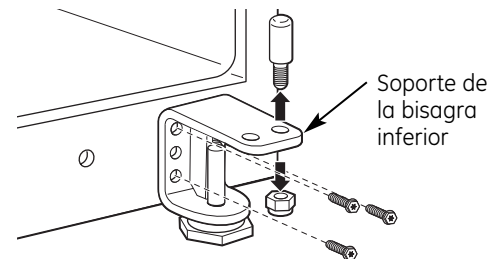


- C** Instale el nuevo soporte de la bisagra central del kit en el lado izquierdo.

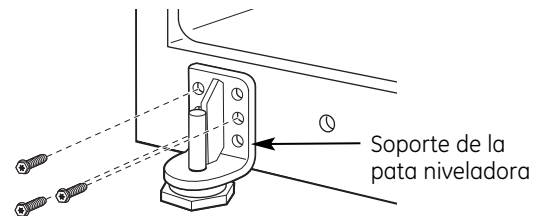


4 QUITE LA BISAGRA INFERIOR Y LA PATA NIVELADORA

- A** Mediante un destornillador de casquillo de 1/2", quite la tuerca y el pasador de la bisagra del soporte de la bisagra con la pata niveladora. Utilizando un destornillador de casquillo de 5/16", quite los tornillos del soporte de la bisagra inferior. Estos se instalarán en el otro lado.



- B** Utilizando un destornillador de casquillo de 5/16", quite los tornillos del soporte de la pata niveladora del otro lado. Estos se reinstalarán en el lado opuesto.

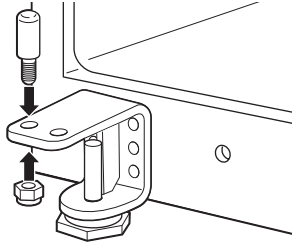


Instrucciones para la instalación

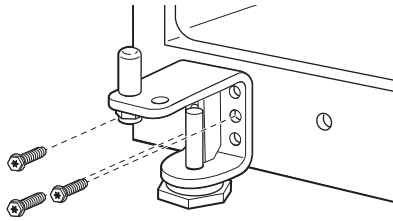
CÓMO INVERTIR EL VAIVÉN DE LA PUERTA (cont.)

5 INSTALE LA BISAGRA INFERIOR Y LA PATA NIVELADORA

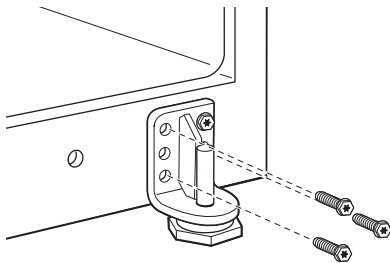
- A** Mediante un destornillador de casquillo de 1/2", instale el pasador de la bisagra y la tuerca en el orificio opuesto del soporte de la bisagra con la pata niveladora.



- B** Utilizando un destornillador de casquillo de 5/16", instale el soporte de la bisagra con la pata niveladora del lado izquierdo del refrigerador. El pasador quedará mirando hacia la parte externa del refrigerador.



- C** Utilizando un destornillador de casquillo de 5/16", instale el soporte de la pata niveladora del lado derecho del refrigerador.

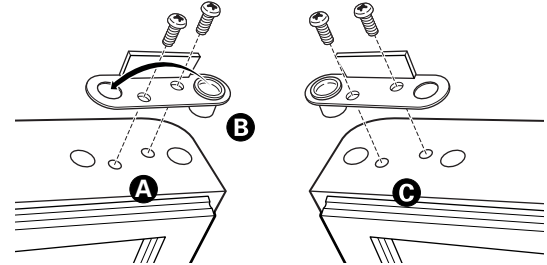


6 TRASLADÉ EL FRENO DE LA PUERTA DEL REFRIGERADOR

- A** Retire el freno de la puerta en el lado derecho de la parte inferior de la puerta del retirando los dos tornillos.
- B** Mueva el dedal plástico del orificio de la bisagra hacia el orificio opuesto.

6 TRASLADÉ EL FRENO DE LA PUERTA DEL REFRIGERADOR Y CONGELADOR (cont.)

- C** Instale el freno de la puerta en el lado izquierdo, cerciorándose de alinear los orificios de los tornillos en el freno de la puerta con los orificios en la parte inferior de la puerta.



Parte inferior de la puerta (lado derecho)

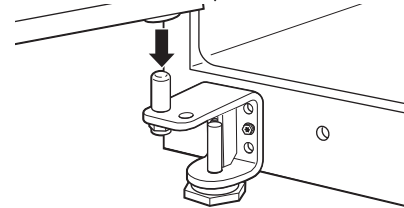
Parte inferior de la puerta (lado izquierdo)

7 TRASLADÉ LA MANIJA DE LA PUERTA DEL REFRIGERADOR HACIA LA DERECHA

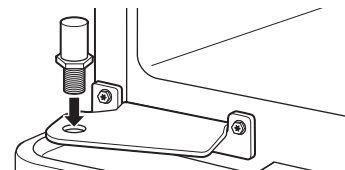
Para obtener las instrucciones correspondientes, consulte las secciones "Cómo retirar la manija de la puerta de alimentos frescos" y "Cómo sujetar la manija de la puerta de alimentos frescos."

8 VUELVA A INSTALAR LA PUERTA DEL CONGELADOR

- A** Baje la puerta del congelador sobre el pasador de la bisagra central. Verifique que el dedal plástico del pasador de la bisagra se encuentre en el pasador de la bisagra o dentro del orificio del pasador de la bisagra de la puerta ubicado en la parte inferior de la puerta.



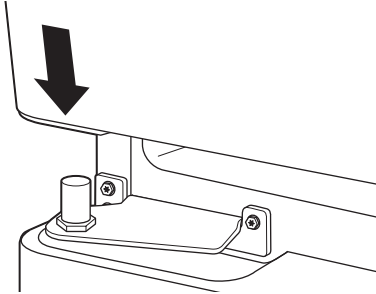
- B** Enderece la puerta y alinéela con el soporte de la bisagra central.
- C** Instale el pasador de la bisagra central con un destornillador de casquillo de 3/4". Gírelo hasta que se extienda a través del soporte de la bisagra y dentro de la puerta del congelador.



Instrucciones para la instalación

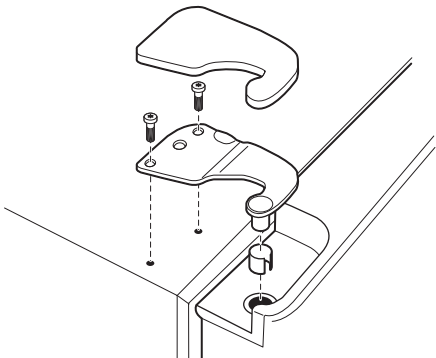
9 VUELVA A COLGAR LA PUERTA DEL REFRIGERADOR

- A** Baje la puerta del refrigerador en el pasador de la bisagra central. Cerciérese de que el dedal plástico del pasador de la bisagra esté en el pasador de la bisagra central o al interior del orificio del pasador de la bisagra de la puerta que se encuentra en la parte de abajo de la puerta.



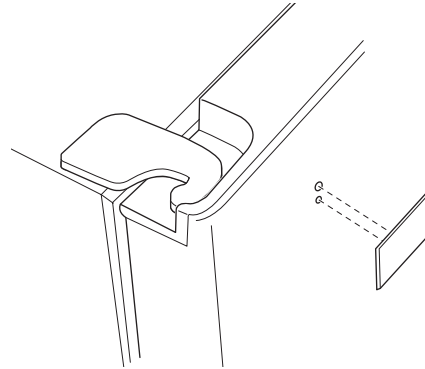
- B** Introduzca el capuchón de la puerta dentro del orificio de la bisagra de la parte superior del refrigerador y luego introduzca el pasador de la bisagra superior. Cerciérese de que la puerta esté alineada con el gabinete. Una la bisagra a la parte superior del gabinete libremente con los pernos.

- C** Cerciérese de que el sello magnético en la puerta esté nivelado contra el gabinete y no esté doblado. Apoye la puerta en el lado de la manija y cerciérese de que esté recta y el espacio entre las puertas sea uniforme al frente. Mientras sostiene la puerta en su lugar, apriete los pernos de la bisagra superior. Reemplace la tapa de la bisagra.



10 INSTALE LA INSIGNIA DEL LOGO

Quite el papel que cubre el adhesivo y alinee los pernos de la parte trasera de la insignia con los orificios de la puerta. Aplique presión a la insignia para garantizar que se haya pegado a la puerta.



Instrucciones para la instalación

CÓMO RETIRAR LAS PUERTAS

(Modelos de refrigerador de doble puerta únicamente)

NOTAS IMPORTANTES

NOTA: El vaivén de la puerta no es reversible.

- Lea las instrucciones completas antes de empezar.
- Manipule las partes con cuidado para evitar rayar la pintura.
- Coloque los tornillos según las partes a las que corresponden para evitar usarlos en el lugar incorrecto.
- Disponga de una superficie de trabajo que no raye para colocar las puertas.

IMPORTANTE: Una vez empiece, no mueva el gabinete.

Estas instrucciones son para retirar las puertas.

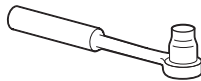
Desconecte el refrigerador de la toma eléctrica.

Desocupe todos los estantes de la puerta, incluyendo el compartimiento de productos lácteos.

HERRAMIENTAS NECESARIAS



Llave ajustable



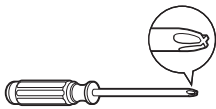
Destornillador de casquillo de 5/16"



Cinta de enmascarar



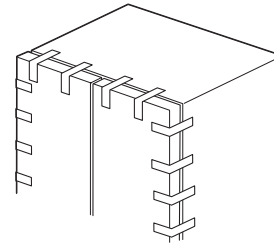
Destornillador de pala plana



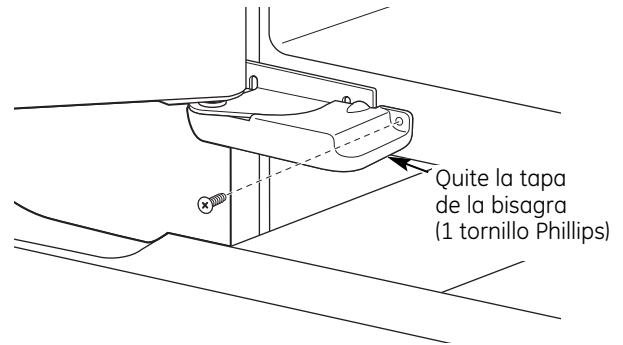
Destornillador Phillips

1 RETIRE LAS PUERTAS DEL REFRIGERADOR

A Pegue las puertas por completo con cinta.



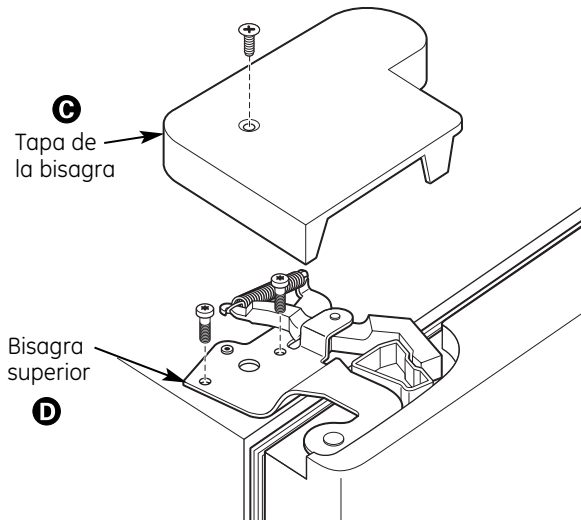
B Comience primero con la puerta de la izquierda: Quite el tornillo que ajusta la tapa de la bisagra central, levante la tapa de la bisagra y coloque a un costado sobre el refrigerador.



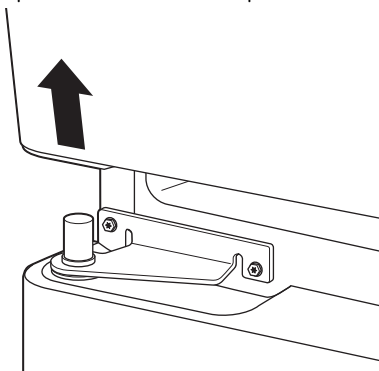
Instrucciones para la instalación

1 RETIRE LA PUERTA DEL REFRIGERADOR (cont.)

- C** Saque la tapa de la bisagra en la parte superior del refrigerador quitando el tornillo Phillips y tirando hacia arriba.
- D** Mediante una llave de cubo de 5/16", quite los pernos que sujetan la bisagra superior al gabinete. Luego levante la bisagra hacia arriba para liberar el perno de la bisagra del receptáculo de la parte superior de la puerta.



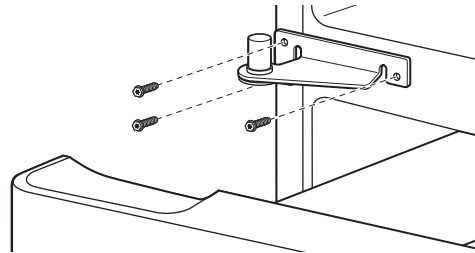
- E** Quite la cinta e incline la puerta en sentido contrario al gabinete. Levante la puerta sacándola del pasador de la bisagra central. Verifique que el capuchón plástico del pasador de la bisagra no se salga del pasador de la bisagra o del orificio del pasador de la bisagra de la puerta ubicado en la parte inferior de la puerta.



- F** Coloque la puerta sobre una superficie que no raye, con la parte interna hacia arriba.

2 CÓMO QUITAR LA BISAGRA CENTRAL

Mediante una llave de cubo de 5/16", quite los pernos que sujetan la bisagra central al gabinete. Coloque la bisagra y los pernos a un lado.



3 RETIRE LA PUERTA OPUESTA

Siga el mismo procedimiento en la puerta opuesta. No hay alambres, líneas de agua o tapas de bisagras centrales en el lado opuesto.

4 RETIRE LA GAVETA DEL CONGELADOR

Para obtener las instrucciones correspondientes, ver la sección de Cómo retirar la gaveta del congelador.

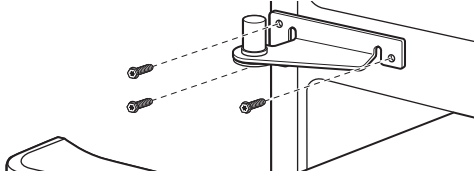
Instrucciones para la instalación

CÓMO VOLVER A COLOCAR LAS PUERTAS

(Modelos de refrigerador de doble puerta únicamente)

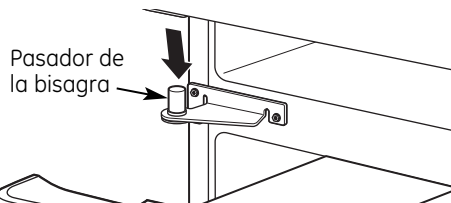
1 INSTALE LA BISAGRA CENTRAL

Instale la bisagra central en cada lado.



2 VUELVA A COLGAR LAS PUERTAS DEL REFRIGERADOR

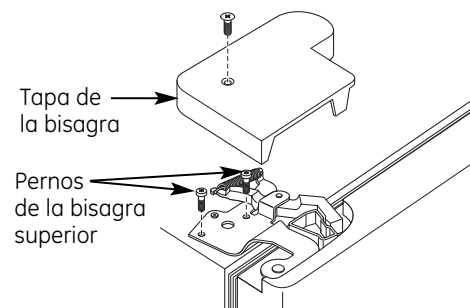
- A** Baje la puerta del refrigerador en el pasador de la bisagra central. Cerciérese de que el dedal plástico del pasador de la bisagra permanezca en el pasador de la bisagra central o al interior del orificio del pasador de la bisagra de la puerta que se encuentra en la parte de abajo de la puerta.



- B** Pegue firmemente la puerta con cinta o pida a otra persona que sostenga la puerta.
- C** Inserte el pasador de la bisagra superior en el orificio de la bisagra encima de la puerta del refrigerador. Cerciérese de que la puerta esté alineada con el gabinete y la puerta opuesta. Una la bisagra a la parte superior del gabinete libremente con los pernos.

2 VUELVA A COLGAR LAS PUERTAS DEL REFRIGERADOR (CONT.)

- D** Cerciérese de que el sello magnético en la puerta esté nivelado contra el gabinete y no esté doblado. Cerciérese de que esté recta y el espacio entre las puertas sea uniforme al frente. Mientras sostiene la puerta alineada en su lugar, apriete los pernos de la bisagra superior. Reemplace la tapa de la bisagra y el tornillo.



(la apariencia puede variar)

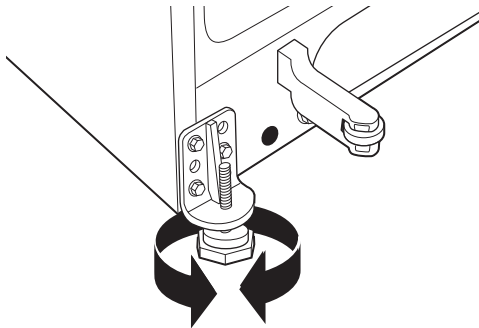
3 REEMPLACE LA PUERTA OPUESTA

Siga el mismo procedimiento en la puerta opuesta. No hay línea de agua o tapa de bisagra.

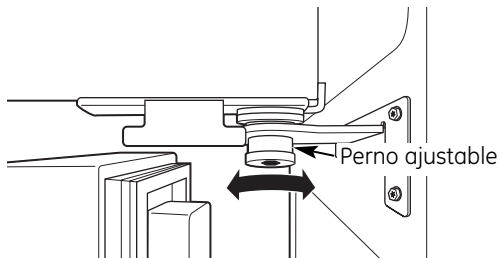
Instrucciones para la instalación

4 CÓMO ALINEAR LAS PUERTAS DOBLES

Si la parte superior de las puertas está desigual, primero intente levantar la puerta más baja girando la pata niveladora en el mismo costado de la puerta hasta que las puertas estén niveladas. Si la unidad permanece inestable, vuelva a ajustar las patas niveladoras hasta que la unidad esté estable.



Si las puertas continúan desparejas, gire el perno ajustable para elevar, o bajar, la puerta izquierda para que esté al mismo nivel de la derecha. Utilice una llave Allen de 1/4" para girar el pasador.



5 REEMPLACE LA GAVETA DEL CONGELADOR

Para obtener las instrucciones correspondientes, ver la sección de Cómo reemplazar la gaveta del congelador.

Instrucciones para la instalación

INSTALACIÓN DE LA TUBERÍA DEL AGUA (MODELOS CON MÁQUINA DE HIELOS)

ANTES DE INICIAR

Los kits de cobre recomendados para el suministro de agua son WX8X2, WX8X3 o WX8X4, dependiendo de la cantidad de tubería necesaria. Las tuberías plásticas aprobadas para el suministro de agua son las tuberías para el refrigerador SmartConnect™ de GE (WX08X10006, WX08X10015 y WX08X10025).

Al conectar su refrigerador a un Sistema de Agua de Ósmosis Inversa de GE, la única instalación aprobada es con un RVKIT de GE. Para otros sistemas de agua de ósmosis inversa, siga las instrucciones del fabricante.

Si el suministro de agua hacia el refrigerador es desde un Sistema de Filtro de Agua de Ósmosis Inversa y el refrigerador también tiene un filtro de agua, use el tapón de derivación del filtro del refrigerador. Usar el cartucho de filtro del agua del refrigerador en conjunto con el filtro de Ósmosis Inversa puede resultar en cubos de hielo huecos.

Esta instalación de la tubería del agua no está garantizada por el fabricante del refrigerador o de la máquina de hielos. Siga estas instrucciones cuidadosamente para minimizar el riesgo de un daño costoso por el agua.

El martilleo del agua (agua golpeando contra la tubería) en la tubería de la casa puede causar daños a las partes del refrigerador y conducir a un goteo o inundación por agua. Llame a un plomero calificado para corregir el martilleo del agua antes de instalar la tubería del agua al refrigerador.

Para evitar quemaduras y daños con el producto, no conecte la tubería del agua a la tubería del agua caliente.

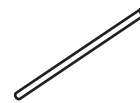
Si usa el refrigerador antes de conectar la tubería, asegúrese de que el interruptor de corriente de la máquina de hielos esté en la posición **O (apagado)**.

No instale la tubería de la máquina de hielos en lugares donde la temperatura caiga por debajo del nivel de congelamiento.

Al usar cualquier aparato eléctrico (como un taladro eléctrico) durante la instalación, asegúrese de que el aparato esté aislado o conectado de manera que evite el peligro de una descarga eléctrica, o se opere por baterías.

Todas las instalaciones se deben realizar según los requisitos del código local de plomería.

QUÉ NECESITA



- **Kit de tubería de cobre para el refrigerador o SmartConnect™ de GE**, 1/4" de diámetro externo para conectar el refrigerador al suministro de agua. Si usa cobre, asegúrese de que ambos extremos de la tubería se corten uniformemente.

Para determinar la cantidad de tubería que necesita: mida la distancia desde la válvula del agua en la parte posterior del refrigerador hasta el tubo de suministro de agua. Asegúrese de que haya suficiente tubería adicional para permitir que el refrigerador se pueda mover de la pared después de la instalación.

Los kits de tubería para el refrigerador SmartConnect™ de GE están disponibles en las siguientes longitudes:

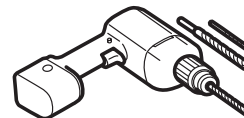
6' (1,8 m) – WX08X10006

15' (4,6 m) – WX08X10015

25' (7,6 m) – WX08X10025

NOTA: La única tubería de plástico aprobada de GE es la que viene provista con los kits de tubería para el refrigerador SmartConnect™ de GE. No use ninguna otra tubería plástica para el suministro del agua ya que la tubería está bajo presión todo el tiempo. Ciertos tipos de plástico se fracturarán o se romperán con el tiempo y causarán daños en su casa debido al agua.

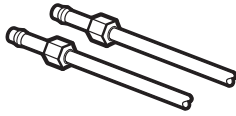
- **Un kit de suministro de agua de GE** (contiene tubería, válvula de apagado y accesorios enumerados abajo) está disponible a un costo adicional en su tienda o por medio de Partes y Accesorios, 800.626.2002.
- **Un suministro de agua fría.** La presión del agua debe estar entre 20 y 120 p.s.i. (1,4–8,1 bar).



- **Taladro eléctrico.**
- **Llave de 1/2" o ajustable.**
- **Destornillador plano y de estrella.**

Instrucciones para la instalación

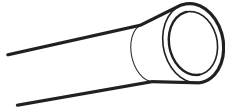
QUÉ NECESITA (CONT.)



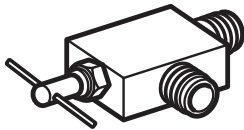
- **Dos tuercas de compresión de 1/4" de diámetro exterior y 2 férulas (mangas)**—para conectar la tubería de cobre a la válvula de apagado y la válvula del agua del refrigerador.

O bien

- Si está usando un kit de tubería para el refrigerador SmartConnect™ de GE, los accesorios necesarios ya vienen preinstalados en la tubería.



- Si su tubería existente de cobre para el agua tiene un accesorio con vuelo en el extremo, necesitará un **adaptador** (disponible en las tiendas de suministros de plomería) para conectar la línea del agua al refrigerador **O BIEN**, podrá cortar el accesorio con vuelo con un **cortador de tubos** y luego usar un accesorio de compresión. No corte el extremo formado de la tubería para el refrigerador SmartConnect™ de GE.



- **Válvula de cierre** para conectar a la línea del agua fría. La válvula de apagado deberá tener una entrada de agua con un diámetro interno mínimo de 5/32" en el punto de conexión a la **TUBERÍA DEL AGUA FRÍA**. Las válvulas de apagado tipo silla vienen incluidas en muchos kits de suministro de agua. Antes de comprar, asegúrese de que una válvula tipo silla cumple con los códigos de plomería en su localidad.

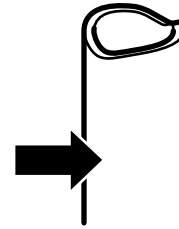
Instale la válvula de apagado en la tubería del agua de consumo más frecuentemente utilizada.

1 CIERRE EL SUMINISTRO PRINCIPAL DE AGUA

Abra el grifo más cercano por suficiente tiempo para limpiar la tubería del agua.

2 SELECCIONE LA UBICACIÓN DE LA VÁLVULA

Seleccione una ubicación para la válvula que sea fácilmente accesible. Es mejor conectarla en el costado de una tubería vertical de agua. Cuando sea necesario conectarla en una tubería horizontal de agua, haga la conexión en la parte superior o al lado, en vez de hacerlo en la parte de abajo, para evitar retirar cualquier sedimento de la tubería del agua.

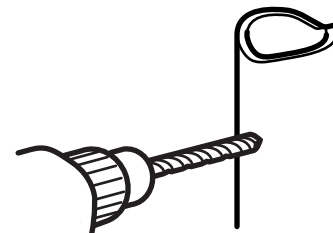


3 PERFORE EL ORIFICIO PARA LA VÁLVULA

Perfore un orificio de 1/4" en la tubería del agua (incluso si está usando una válvula auto perforadora), usando una broca afilada. Retire cualquier sobrante que resulte de perforar el orificio en la tubería.

Tenga cuidado de no permitir que se filtre agua hacia el taladro.

No perforar un orificio de 1/4" puede resultar en menor producción de hielo o cubos más pequeños.

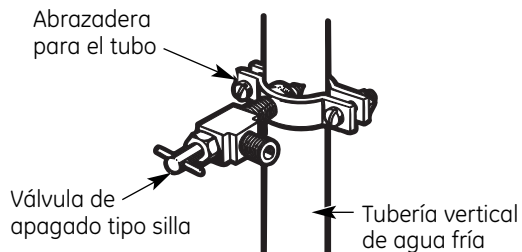


Instrucciones para la instalación

INSTALACIÓN DE LA TUBERÍA DEL AGUA (CONT.)

4 INSTALE LA VÁLVULA DE APAGADO

Una la válvula de apagado a la tubería de agua fría con la abrazadera para el tubo.

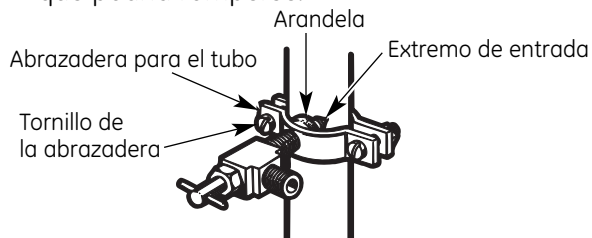


NOTA: Se deberán seguir los Códigos 248CMR de Plomería para el Estado de Massachusetts. Las válvulas tipo silla son ilegales y su uso no está permitido en Massachusetts. Consulte con un plomero licenciado.

5 APRIETE LA ABRAZADERA DEL TUBO

Apriete los tornillos de la abrazadera hasta que la arandela sellante empiece a hincharse.

NOTA: No apriete demasiado la tubería ya que podría romperse.



6 DIRIJA LA TUBERÍA

Rote la tubería entre la línea del agua fría y el refrigerador.

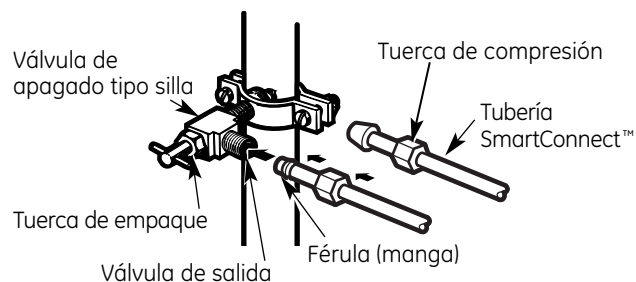
Rote la tubería a través de un orificio perforado en la pared o en el piso (detrás del refrigerador o del gabinete de la base adyacente) lo más cerca posible a la pared.

7 CONECTE LA TUBERÍA A LA VÁLVULA

Coloque la tuerca de compresión y férula para la tubería de cobre (manga) en el extremo de la tubería y conéctela a la válvula de apagado.

Asegúrese de que la tubería esté completamente insertada en la válvula. Apriete la tuerca de compresión firmemente.

Para tubería de plástico de un kit de tubería para el refrigerador SmartConnect™ de GE, inserte el extremo moldeado de la tubería en la válvula de apagado y apriete la tuerca de compresión hasta que esté firmemente apretada a mano, luego apriete un giro adicional con una llave. Apretar demasiado puede causar fugas.



NOTA: Se deberán seguir los Códigos 248CMR de Plomería para el Estado de Massachusetts. Las válvulas tipo silla son ilegales y su uso no está permitido en Massachusetts. Consulte con un plomero licenciado.

8 LAVE LA TUBERÍA

Abra el suministro principal de agua y lave la tubería hasta que el agua esté limpia.

Cierre el agua en la válvula después de que un cuarto (1 litro) se haya eliminado por la tubería.



Para completar la instalación del refrigerador, regrese al Paso 1 en *Instalación del refrigerador*.



Los refrigeradores más nuevos producen sonidos diferentes a los modelos más antiguos. Los refrigeradores modernos tienen más funciones y usan tecnología más reciente.

¿Usted escucha lo que yo escucho? Estos sonidos son normales.

HMMMM... WHOOSH....

- El nuevo compresor de alta eficiencia puede funcionar más rápido y durar más que el de su refrigerador anterior y puede escuchar un zumbido de tono alto o un sonido pulsante mientras opera.
- Puede escuchar un sonido de soplido cuando las puertas se cierran. Esto se debe a que la presión se está estabilizando dentro del refrigerador.

¡WHIR!



- Puede escuchar los ventiladores moviéndose a gran velocidad. Esto pasa cuando el refrigerador se conecta por primera vez, cuando las puertas se abren frecuentemente o cuando se guarda gran cantidad de alimentos en el refrigerador o en los compartimientos del congelador. Los ventiladores están ayudando a mantener las temperaturas correctas.
- Los ventiladores cambian la velocidad para suministrar enfriamiento óptimo y ahorrar energía.

CHASQUIDOS, ESTALLIDOS, CRUJIDO

- Puede escuchar sonidos como de crujido o estallidos cuando el refrigerador se conecta por primera vez. Esto pasa a medida que el refrigerador se enfría hasta la temperatura correcta.
- El control del congelador produce un chasquido cuando el compresor inicia o para.
- El reloj del descongelador produce un chasquido al iniciar y terminar el ciclo de descongelación.
- Expansión y contracción de las bobinas durante o después del ciclo de descongelación puede causar sonidos como de crujido o estallidos.
- En modelos con máquina de hielos, después de completar un ciclo de hacer hielo, se pueden escuchar los cubos de hielo cuando caen a la bandeja de hielos.
- En modelos con un dispensador, durante la distribución de agua, puede escuchar el movimiento de las líneas de agua a la distribución inicial y después la liberación del botón del dispensador.

SONIDOS DE AGUA



- El fluido del refrigerante a través de las bobinas puede producir un sonido de borboteo como de agua hirviendo.
- El agua que cae en el calentador de descongelación puede causar un chisporroteo, estallido o zumbido durante el ciclo de descongelación.
- Un ruido de agua cayendo se puede escuchar durante el ciclo de descongelación a medida que el hielo se derrite del evaporador y fluye hacia la bandeja de drenaje.
- El cierre de las puertas puede producir un sonido de gorgoteo debido a la estabilización de la presión.



Para información adicional sobre los ruidos normales de la máquina de hielos, consulte la sección **Sobre la máquina de hielos automática.**

Antes de solicitar un servicio...



Solucionar problemas
¡Ahorre tiempo y dinero! Revise las tablas en las siguientes páginas y tal vez no necesitará de solicitar un servicio.

Problema	Causas Posibles	Qué hacer
El refrigerador no funciona	Refrigerador en ciclo de descongelar.	• Espere 30 minutos para que la descongelación se termine.
	Control en posición Off (apagado) .	• Mueva el control hasta un ajuste de temperatura.
	El refrigerador esté desconectado.	• Empuje la clavija completamente en el enchufe.
	Fusible fundido/interruptor de circuito roto.	• Reemplace el fusible o reajuste el interruptor.

Antes de solicitar un servicio...

	Problema	Causas Posibles	Qué hacer
Seguridad	Vibraciones o sacudidas (una vibración ligera es normal)	Las patas niveladoras requieren un ajuste.	<ul style="list-style-type: none"> • Vea <i>Cómo nivelar el refrigerador</i>.
	Operación	El motor opera durante periodos prolongados o se arranca y se para con frecuencia. (Refrigeradores modernos con más espacio de almacenamiento y un congelador más grande requieren más tiempo de operación. Se arrancan y se paran a menudo para mantener temperaturas	Es normal cuando el refrigerador es recién instalado en su casa.
Ocurre cuando hay largas cantidades de alimentos en el refrigerador.		<ul style="list-style-type: none"> • Eso es normal. 	
Se dejó abierta la puerta.		<ul style="list-style-type: none"> • Revise si un paquete mantiene la puerta abierta. 	
Clima caluroso o aperturas frecuentes de la puerta.		<ul style="list-style-type: none"> • Eso es normal. 	
Instalación	Compartimiento del refrigerador o congelador demasiado cálido	Controles de temperatura ajustados al punto más frío..	<ul style="list-style-type: none"> • Vea <i>Los controles</i>.
		El control de temperatura no se fijó bastante frío.	<ul style="list-style-type: none"> • Vea <i>Los controles</i>.
		Clima caluroso o aperturas frecuentes de la puerta.	<ul style="list-style-type: none"> • Fije el control de temperatura un paso más frío. Vea <i>Los controles</i>.
	Se dejó abierta la puerta.	<ul style="list-style-type: none"> • Revise si hay un paquete que mantiene la puerta abierta. 	
Solucionar problemas	Escarcha o cristales de hielo en alimentos congelados (escarcha en paquete es normal)	Se dejó abierta la puerta.	<ul style="list-style-type: none"> • Revise si hay un paquete que mantiene la puerta abierta.
		Apertura de puertas muy frecuente o muy prolongada.	<ul style="list-style-type: none"> • Eso es normal.
	Formación lenta del hielo	Se dejó abierta la puerta.	<ul style="list-style-type: none"> • Revise si hay un paquete que mantiene la puerta abierta.
		El control de temperatura no es bastante frío.	<ul style="list-style-type: none"> • Vea <i>Los controles</i>.
Servicio al consumidor	La máquina de hielos automática no funciona (en algunos modelos)	El interruptor de corriente de la máquina de hielos no está encendido.	<ul style="list-style-type: none"> • Mueva el interruptor a la posición de I (encendido). La luz de encendido del dispositivo de hacer hielo será de color verde cuando el interruptor de la luz del congelador esté pulsado o cuando la puerta del congelador se encuentre cerrada.
		El suministro del agua está apagado o no está conectado.	<ul style="list-style-type: none"> • Consulte la sección <i>Cómo instalar la tubería del agua</i>.
		El compartimiento del congelador no es muy frío.	<ul style="list-style-type: none"> • Espere 24 horas para que el refrigerador se enfríe completamente.
		Hay cubos amontonados en el recipiente de almacenamiento que causan que la máquina de hielos se apague.	<ul style="list-style-type: none"> • Nivele los cubos con la mano.
		Los cubos de hielo están obstruidos en la máquina de hielos. (La luz verde de la máquina de hielos está intermitente).	<ul style="list-style-type: none"> • Apague la máquina de hielos, retire los cubos y vuelva a encender la máquina de hielos.
		La luz del dispositivo de hacer hielo no está encendida.	<ul style="list-style-type: none"> • Esto es normal cuando la puerta del congelador está abierta. La luz de encendido del dispositivo de hacer hielo será de color verde cuando el interruptor de la luz del congelador esté pulsado o cuando la puerta del congelador se encuentre cerrada.

Problema	Causas Posibles	Qué hacer
Sonido de zumbido frecuente	El interruptor del suministro eléctrico de la máquina de hielos está en la posición I (encendido) , pero el suministro de agua hacia el refrigerador no ha sido conectado.	<ul style="list-style-type: none"> Coloque el interruptor en la posición 0 (apagado). Mantenerlo en la posición I (encendido) dañará la válvula de agua.
Cubos pequeños o huecos	Filtro de agua tapado.	<ul style="list-style-type: none"> Reemplace el cartucho del filtro con uno nuevo o con el tapón.
Los cubos tienen mal olor/sabor	Alimentos transmitiendo olor/sabor a los cubos. El interior del refrigerador requiere limpieza.	<ul style="list-style-type: none"> Envuelva bien los alimentos. Vea <i>Cuidado y limpieza</i>. Mantenga una caja abierta de bicarbonato de sodio en el refrigerador; cámbiela cada tres meses.
El refrigerador huele	Alimentos transmitiendo olores al refrigerador. El interior requiere limpieza.	<ul style="list-style-type: none"> Alimentos con olores fuertes deben estar tapados. Guarde una caja de bicarbonato de sodio en el refrigerador; cámbiela cada tres meses. Vea <i>Cuidado y limpieza</i>.
Se forma humedad en la superficie del refrigerador	No es extraño durante periodos de alta humedad.	<ul style="list-style-type: none"> Seque la superficie con un paño suave y ajuste el control del refrigerador una marca más hacia lo frío.
Humedad se forma al interior (en clima húmedo, el aire lleva la humedad al refrigerador cuando las puertas se abren)	Abrir la puerta con mucha frecuencia o por mucho tiempo.	<ul style="list-style-type: none"> Eso es normal.
La luz del compartimento del refrigerador o del congelador no funciona	No hay corriente en el toma corriente. Bombilla quemada o suelta.	<ul style="list-style-type: none"> Reemplace el fusible o vuelva a iniciar el interruptor. Consulte la sección <i>Cómo reemplazar la bombilla</i>.
Aire caliente de la parte de abajo del refrigerador	Motor de enfriamiento normal del flujo del aire. En el proceso de refrigeración, es normal que salga calor de la parte inferior del refrigerador. Algunas cubiertas de piso son sensibles y se decolorarán ante estas temperaturas normales y seguras.	
Congelamiento de alimentos en el refrigerador	Los alimentos están muy cercanos al ventilador en la parte posterior del refrigerador. El control del refrigerador está en un nivel demasiado frío.	<ul style="list-style-type: none"> Mueva los alimentos lejos del ventilador. Mueva el control del refrigerador a una temperatura menos fría un incremento a la vez.
Brillo color naranja en el congelador	El calentador de descongelación está encendido.	<ul style="list-style-type: none"> Esto es normal.

Seguridad

Operación

Instalación

Solucionar problemas

Servicio al consumidor

Antes de solicitar un servicio...

	Problema	Causas Posibles	Qué hacer
Seguridad	La puerta/gaveta no se cierra sola	Las patas niveladoras necesitan ajuste.	<ul style="list-style-type: none"> Consulte la sección <i>Instalación del refrigerador</i>.
	La puerta/gaveta del congelador se abre cuando la puerta del refrigerador está cerrada	Esto es normal si después de abrirse, la puerta/gaveta del congelador se cierra sola.	<ul style="list-style-type: none"> Esto indica que hay un buen sellante en la puerta/gaveta del congelador. Si la puerta/gaveta del congelador no se cierra automáticamente después de abrirse, entonces consulte la sección anterior, Problema: <i>La puerta/gaveta del refrigerador no se cierra sola</i>.
Operación	No sale el dispositivo para hacer hielo no funciona (el segundo modelos)	Está tapada la línea de agua o la llave de paso.	<ul style="list-style-type: none"> Llame a un plomero.
		Filtro de agua tapado.	<ul style="list-style-type: none"> Reemplace el cartucho del filtro o remueve el filtro y instale el tapón.
		El cartucho del filtro no está instalado apropiadamente.	<ul style="list-style-type: none"> Remueva y reinstale el cartucho del filtro, cerciorándose de que encaja en su lugar. La cuchilla en el extremo del cartucho deberá colocarse verticalmente.
	La manija está floja / la manija tiene una brecha	La manija debe ajustarse.	<ul style="list-style-type: none"> Ver las secciones <i>Sujete la manija de la puerta de alimentos frescos</i> y <i>Sujete la manija de la puerta del congelador</i> para información más detallada.
Instalación	El refrigerador emite un sonido	Esto es la alarma de la puerta.	<ul style="list-style-type: none"> Cierre la puerta.
	El ajuste de control no está encendido	En algunos modelos, las bombillas en la parte superior del compartimiento del refrigerador alumbran los ajustes de control de la temperatura.	<ul style="list-style-type: none"> Si los ajustes de control no se alumbran, inspeccione para verificar si existe alguna bombilla quemada, y cambie si es necesario.
	Las puertas del refrigerador no están uniformes (en los modelos de doble puerta)	Es necesario realinear las puertas.	<ul style="list-style-type: none"> Ver la sección <i>Cómo alinear las puertas dobles</i> localizada bajo <i>Cómo volver a colocar las puertas (Modelos de refrigerador de doble puerta únicamente)</i>.
Solucionar problemas	Las canastas se traban o bloquean cuando se abren o cierran	Las canastas están demasiado llenas.	<ul style="list-style-type: none"> Para abrir: Quite algunos productos de la canasta cuando esté lo más abierta posible. Reorganice los productos que quedaron en la canasta y trate de abrirla de nuevo. Para cerrar: Reorganice los productos de la canasta o quite cualquier producto que se encuentre por encima del borde de la canasta y ciérrela.

Garantía del Refrigerador. (Para consumidores en los EE.UU.)



Todos los servicios de garantía los proporcionan nuestros Centros de Reparación de Fábrica o nuestros técnicos Customer Care® autorizados. Para concertar una cita de reparación, en línea, visite nos al ge.com, o llame al 800.GE.CARES (800.432.2737). Cuando llame para solicitar servicio, por favor tenga a mano el número de serie y el número de modelo.

Grape aquí su recibo. Se requiere facilitar prueba de la fecha de compra original para obtener un servicio bajo la garantía.

Por el período de: **GE reemplazará:**

MODELOS GE y GE PROFILE:

<p>Un año A partir de la fecha de la compra original</p>	<p>Cualquier parte del refrigerador que falle debido a defectos en los materiales o en la fabricación. Durante esta garantía limitada de un año, GE también proporcionará, sin costo alguno, toda la mano de obra y el servicio relacionado—para reemplazar partes defectuosas.</p>
<p>Treinta días A partir de la fecha de compra original del refrigerador</p>	<p>Cualquier parte del cartucho de filtro de agua que falle debido a defectos en los materiales o manufactura. Durante esta garantía limitada de treinta días, GE también proporcionará sin costo, un cartucho de filtro de agua de repuesto.</p>

MODELOS DE GE PROFILE SOLAMENTE:

<p>Cinco años A partir de la fecha de la compra original</p>	<p>Cualquier parte del sistema sellado de refrigeración (compresor, condensador, evaporador y tuberías de conexión) que fallen debido a defectos en los materiales o fabricación. Durante esta garantía limitada de cinco años del sistema sellado de refrigeración, GE también proporcionará, sin costo alguno, toda la mano de obra y el servicio relacionado para reemplazar partes defectuosas del sistema sellado de refrigeración.</p>
---	---

Lo que GE no cubrirá:

- Viajes de servicio a su hogar para enseñarle cómo usar el producto.
- Instalación o entrega inapropiada, o mantenimiento impropio.
- Fallas del producto si hay abuso, mal uso, o uso para otros propósitos que los propuestos, o uso para fines comerciales.
- Pérdida de alimentos por averías.
- Causar daños después de la entrega.
- Reemplazo de fusibles de su hogar o reajuste de interruptores de circuito.
- Reemplazo del cartucho del filtro para agua, si incluidos, debido a presión de agua afuera de los límites de operación especificados o sedimento excesivo en el suministro de agua.
- Reemplazo de las bombillas, si incluidos, o los filtros de agua, si incluidos.
- Daño al producto causado por accidente, fuego, inundaciones, o actos de Dios.
- Daño incidental o consecuencial causado por posibles defectos con el aparato.
- Producto no accesible para facilitar el servicio requerido.

EXCLUSIÓN DE GARANTÍAS IMPLÍCITAS—Su único y exclusivo derecho es la reparación del producto, tal y como se indica en esta Garantía limitada. Cualquier garantía implícita, incluyendo las garantías implícitas de comerciabilidad o adecuación para un fin determinado, están limitadas a un año o el período de tiempo más breve permitido por la ley.

Esta garantía se extiende al comprador original y cualquier comprador posterior de productos comprados para uso residencial dentro de Estados Unidos. Si el producto está situado en un área que no dispone de servicio por parte de un proveedor de servicio autorizado de GE, podría tener que hacerse cargo de los costes de envío o bien podría solicitársele que lleve el producto a una centro de servicio de GE autorizado para realizar la reparación. En Alaska, la garantía excluye el costo de envío o las visitas de servicio a su casa.

Algunos estados no permiten la exclusión o las limitaciones de daños incidentales o consecuenciales. Esta garantía da derechos legales específicos, y usted podría tener otros derechos que variarán de estado a estado. Para saber cuáles son sus derechos legales, consulte a la oficina de asuntos del consumidor local o la oficina del Attorney General en su localidad.

Hoja de Datos de Funcionamiento
Sistema de Filtración GE SmartWater
Cartucho GSWF

Este sistema se ha sometido a las pruebas NSF/ANSI 42/53 a fin de reducir las sustancias presentadas a continuación. Se redujo la concentración de las sustancias indicadas en el agua que ingresan en el sistema a una concentración menor o igual al límite permitido para el agua que sale del sistema, como se especifica en NSF/ANSI 42/53.*

(Factores de 100% incorporados para la utilización no medida)

Estándar No. 42: Efectos estéticos								
Parámetros	USEPA MCL	Promedio influente	Calidad del influente concentración	Effluent		% de reducción		Reducción mínima necesaria
				Promedio	Máximo	Promedio	Mínimo	
Cloro	—	1,845 mg/L	2,0 mg/L ± 10%	< 0,05 mg/L	0,05 mg/L	>97,29%	96,43%	≥ 50%
T & O	—	—	—	—	—	—	—	—
Partículas**	—	143.333 #/mL	10.000 partículas/mL mínimo	29,83 #/mL	140 #/mL	99,98%	99,91%	≥ 85%

Estándar No. 53: Efectos Relativos a la Salud								
Parámetros	USEPA MCL	Promedio influente	Calidad del influente concentración	Effluent		% de reducción		Reducción mínima necesaria
				Promedio	Máximo	Promedio	Mínimo	
Turbidez	1 NTU***	10,3 NTU***	1 ± 1 NTU***	0,106 NTU	0,14 NTU	98,97%	98,61%	0,5 NTU
Quistes	99,95% Reducción	200.000 #/L	50.000 L mínimo	0	0	> 99,99%	> 99,99%	> 99,95%
Plomo a pH 6,5	0,015 mg/L	0,15 mg/L	0,15 mg/L ± 10%	< 0,001 mg/L	< 0,001 mg/L	> 99,33%	> 99,33%	0,010 mg/L
Plomo a pH 8,5	0,015 mg/L	0,14 mg/L	0,15 mg/L ± 10%	0,001 mg/L	0,003 mg/L	> 99,29%	97,86%	0,010 mg/L
Lindane	0,0002 mg/L	0,0216 mg/L	0,002 mg/L ± 10%	< 0,00002 mg/L	< 0,00002 mg/L	99,07%	98,75%	0,0002 mg/L
Atrazine	0,003 mg/L	0,008 mg/L	0,009 mg/L ± 10%	< 0,002 mg/L	< 0,002 mg/L	> 76,12%	> 66,67%	0,003 mg/L

* Probado utilizando una tasa de flujo de 0,5 gpm (1,8927 l/min.); presión de 60 psig (4,218 Kg/cm²); pH de 7,5 ± 0,5; temp. de 20° ± 3°C

** Medición en partículas/ml. Las partículas usadas eran de 0,5–1 micrón.

*** Unidades de turbidez Nefelométrica—NTU

Especificaciones de Operación

- Capacidad: certificado para hasta 750 galones (2838 litros); hasta seis meses
- Requerimientos de presión: 40–120 psi (2,8–8,2 bar), sin choque
- Temperatura: 33°–100°F (0,6°–38°C)
- Tasa de flujo: 0,5 gpm (1,9 lpm)

Requerimientos Generales de Instalación/Operación/Mantenimiento

- Lave el nuevo cartucho a la tasa máxima por 3 minutos para sacar el aire atrapado.
- Reemplace el cartucho cuando el flujo se haga muy lento.

Avisos Especiales

- Las instrucciones de instalación, las piezas, la información sobre la disponibilidad de servicio y la garantía estándar se incluyen con el producto al enviarlo.
- Este sistema de agua potable debe mantenerse conforme a las instrucciones del fabricante, incluyendo el reemplazo de los cartuchos.
- No se utiliza en los sitios donde el agua es de calidad microbiológicamente dudosa, ni con aguas de calidad desconocida, sin una desinfección adecuada antes o después del sistema; el sistema puede utilizarse con aguas desinfectadas que puedan contener quistes filtrables.
- Los contaminantes u otras sustancias que este sistema de tratamiento de agua puede remover o reducir, no están presentes, necesariamente, en su agua.
- Verifique el acatamiento de las leyes y reglamentos estatales y locales.
- Tome en cuenta que aunque las pruebas se realizaron bajo condiciones estándar de laboratorio, el resultado real puede variar. Los sistemas se deben instalar y operar de acuerdo con los procedimientos y las pautas que recomienda el fabricante.

Sistema probado y certificado por NSF Internacional contra norma 42 de ANSI/NSF para la reducción de cloro, sabor y olor, partículas Clase I, y contra norma 53 para la reducción de quistes, plomo, Lindane, Atrazine y turbidez.



Hecho por General Electric, Appliance Park, Louisville, KY 40225

Servicio al consumidor.



Página Web de GE Appliances

ge.com

¿Tiene alguna pregunta sobre su electrodoméstico? ¡Pruebe la página Web de GE Appliances 24 horas al día, cualquier día del año! Para mayor conveniencia y servicio más rápido, ya puede descargar los Manuales de los Propietarios, pedir piezas o incluso hacer una cita en línea para que vengan a realizar una reparación.



Solicite una reparación

ge.com

El servicio de expertos GE está a tan sólo un paso de su puerta. ¡Entre en línea y solicite su reparación cuando le venga cualquier día del año! O llame al 800.GE.CARES (800.432.2737) durante horas normales de oficina.



Real Life Design Studio (Estudio de diseño para la vida real)

ge.com

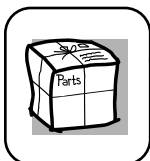
GE apoya el concepto de Diseño Universal—productos, servicios y ambientes que pueden usar gente de todas las edades, tamaños y capacidades. Reconocemos la necesidad de diseñar para una gran gama de habilidades y dificultades físicas y mentales. Para más detalles sobre las aplicaciones de GE Diseño Universal, incluyendo ideas de diseño para la cocina para personas con discapacidades, mire nuestra página Web hoy mismo. Para personas con dificultades auditivas, favor de llamar al 800.TDD.GEAC (800.833.4322).



Garantías ampliadas

ge.com

Compre una garantía ampliada y obtenga detalles sobre descuentos especiales disponibles mientras su garantía está aún activa. Puede comprarla en línea en cualquier momento, o llamar al (800.626.2224) durante horas normales de oficina. GE Consumer Home Services estará aún ahí cuando su garantía termine.



Piezas y accesorios

ge.com

Aquellos individuos con la calificación necesaria para reparar sus propios electrodomésticos pueden pedir que se les manden las piezas o accesorios directamente a sus hogares (aceptamos las tarjetas VISA, MasterCard y Discover). Haga su pedido en línea hoy, 24 horas cada día o llamar por teléfono al 800.626.2002 durante horas normales de oficina.

Las instrucciones descritas en este manual cubren los procedimientos a seguir por cualquier usuario. Cualquier otra reparación debería, por regla general, referirse a personal calificado autorizado. Debe ejercerse precaución ya que las reparaciones incorrectas pueden causar condiciones de funcionamiento inseguras.



Póngase en contacto con nosotros

ge.com

Si no está satisfecho con el servicio que recibe de GE, póngase en contacto con nosotros en nuestra página Web indicando todos los detalles así como su número de teléfono o escríbanos a:

General Manager, Customer Relations
GE Appliances, Appliance Park
Louisville, KY 40225



Registre su electrodoméstico

ge.com

¡Registre su nuevo electrodoméstico en línea—cuando usted prefiera! El registrar su producto a tiempo le proporcionará, si surgiera la necesidad, una mejor comunicación y un servicio más rápido bajo los términos de su garantía. También puede enviar su tarjeta de registro pre-impresa que se incluye en el material de embalaje o recorte y use el formulario de este Manual del Propietario.

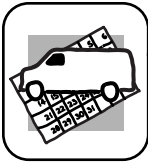
Consumer Support.



GE Appliances Website

In the U.S.: ge.com

Have a question or need assistance with your appliance? Try the GE Appliances Website 24 hours a day, any day of the year! For greater convenience and faster service, you can now download Owner's Manuals, order parts or even schedule service on-line. **In Canada: www.geappliances.ca**



Schedule Service

In the U.S.: ge.com

Expert GE repair service is only one step away from your door. Get on-line and schedule your service at your convenience any day of the year! Or call 800.GE.CARES (800.432.2737) during normal business hours.

In Canada, call 1.800.561.3344



Real Life Design Studio

In the U.S.: ge.com

GE supports the Universal Design concept—products, services and environments that can be used by people of all ages, sizes and capabilities. We recognize the need to design for a wide range of physical and mental abilities and impairments. For details of GE's Universal Design applications, including kitchen design ideas for people with disabilities, check out our Website today. For the hearing impaired, please call 800.TDD.GEAC (800.833.4322).

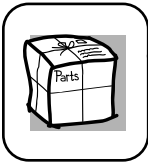
In Canada, contact: Manager, Consumer Relations, Mabe Canada Inc.
Suite 310, 1 Factory Lane
Moncton, N.B. E1C 9M3



Extended Warranties

In the U.S.: ge.com

Purchase a GE extended warranty and learn about special discounts that are available while your warranty is still in effect. You can purchase it on-line anytime, or call 800.626.2224 during normal business hours. GE Consumer Home Services will still be there after your warranty expires. **In Canada, call 1.888.261.2133**



Parts and Accessories

In the U.S.: ge.com

Individuals qualified to service their own appliances can have parts or accessories sent directly to their homes (VISA, MasterCard and Discover cards are accepted). Order on-line today, 24 hours every day or by phone at 800.626.2002 during normal business hours.

Instructions contained in this manual cover procedures to be performed by any user. Other servicing generally should be referred to qualified service personnel. Caution must be exercised, since improper servicing may cause unsafe operation.

Customers **in Canada** should consult the yellow pages for the nearest Mabe service center, or call 1.800.661.1616.



Contact Us

In the U.S.: ge.com

If you are not satisfied with the service you receive from GE, contact us on our Website with all the details including your phone number, or write to:

General Manager, Customer Relations
GE Appliances, Appliance Park
Louisville, KY 40225

In Canada: www.geappliances.ca, or write to: Director, Consumer Relations, Mabe Canada Inc.
Suite 310, 1 Factory Lane
Moncton, N.B. E1C 9M3



Register Your Appliance

In the U.S.: ge.com

Register your new appliance on-line—at your convenience! Timely product registration will allow for enhanced communication and prompt service under the terms of your warranty, should the need arise. You may also mail in the pre-printed registration card included in the packing material. **In Canada: www.geappliances.ca**