

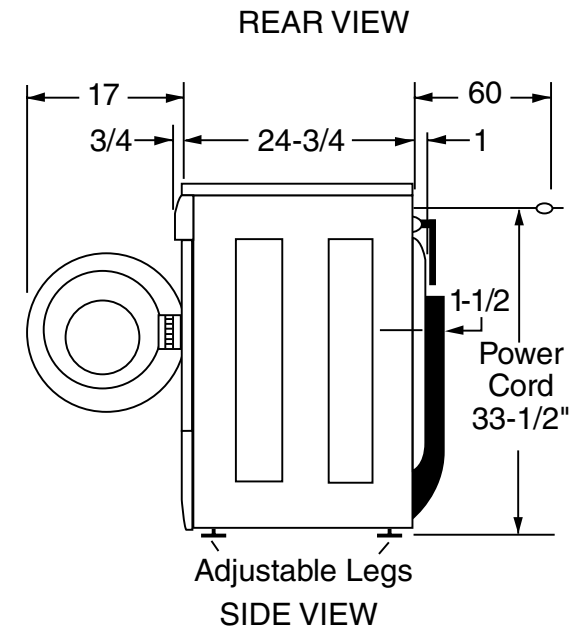
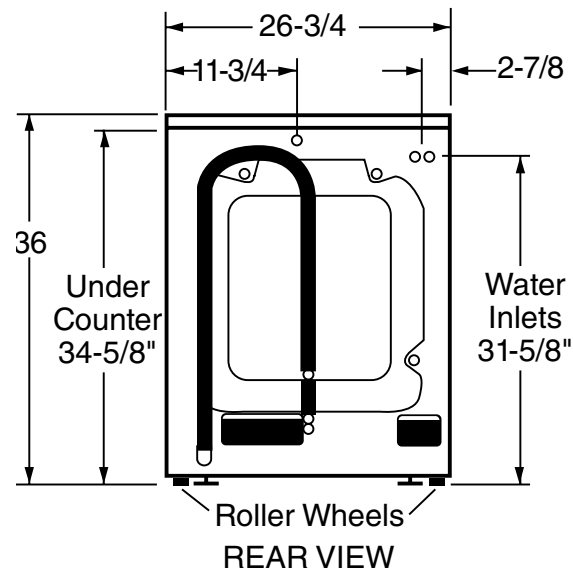
WCCH404H

GE Energy Star® Commercial FrontLoad Washer

Dimensions and Installation Information (in inches)

Electrical Requirement: 120Volts, 60 Hertz. An individual, properly grounded 20-amp branch circuit is required.

Note: Coin box requires assembly to washer, per enclosed installation instructions. Includes accumulator. Coin Slides, drops, or smart card accessory must be ordered from supplier separately.



For answers to your Monogram®, GE Profile™ or GE® appliance questions, visit our website at geappliances.com or call GE Answer Center® service, 800.626.2000.

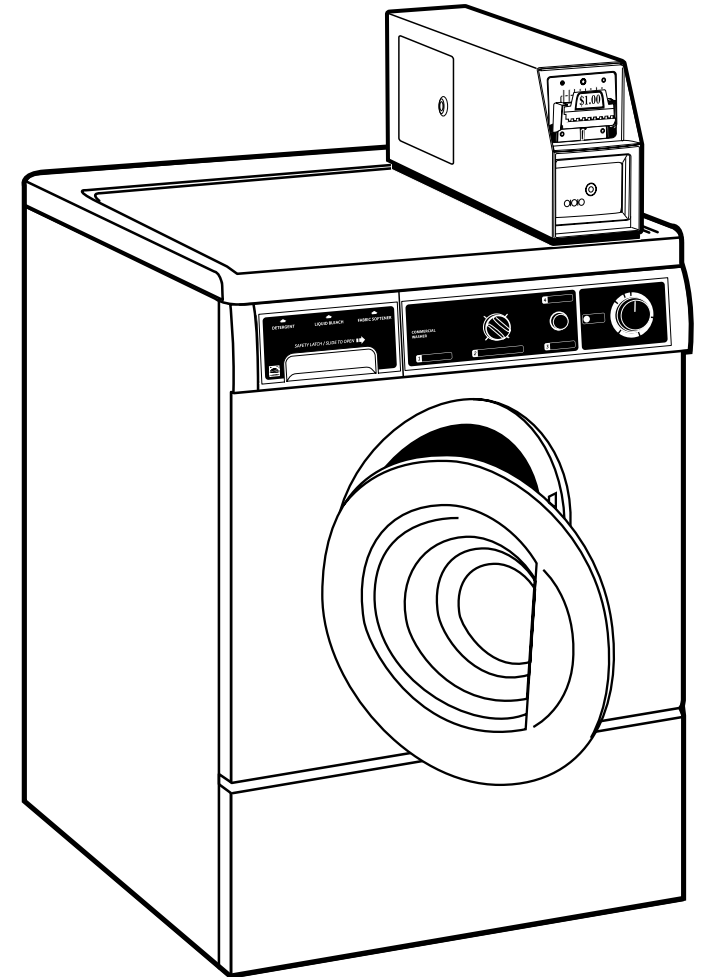


WCCH404H

GE Energy Star® Commercial FrontLoad Washer

Features and Benefits

- ENERGY STAR® Qualification – Means less energy waste and lower utility bills
- One Wash/Spin Speed – Provides reliable cleaning performance for regular clothes
- Four Wash Cycles – Offer convenient, preprogrammed settings for color cottons, permanent press, white cottons and delicates
- Variable Water Levels – Give you the option of adjusting the water levels to match load size, reducing water usage
- Electromechanical Controls – Selector knob turns smoothly in either direction, simplifying cycle selection
- Coin Mechanism Sold Separately
- Coin slide CKTHDV8 available through GE or direct from ESD
- Model WCCH404HWW – White



For answers to your Monogram®, GE Profile™ or GE® appliance questions, visit our website at geappliances.com or call GE Answer Center® service, 800.626.2000.



Specification Revised 12/09

370412