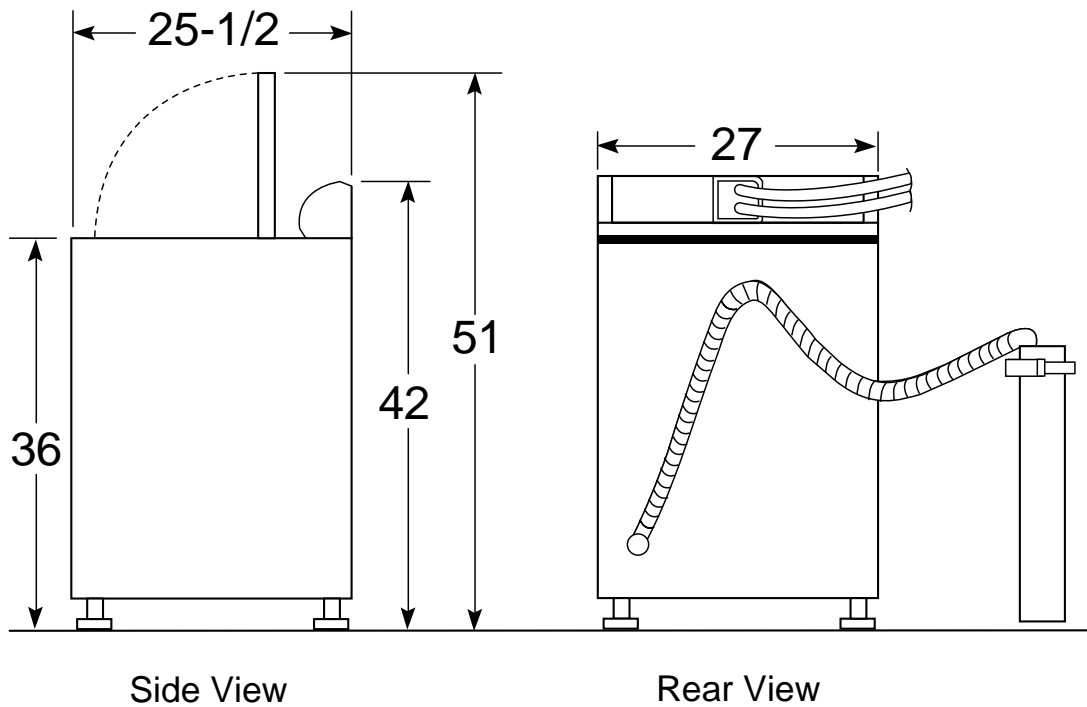




GE Appliances

WVSR1060DWW – GE® Super 3.2 Cu. Ft. Capacity Washer

Dimensions (in inches)



Circuit Requirements:

An individual, properly-grounded branch circuit, with a three-prong grounding-type receptacle, protected by a 15 or 20 amp circuit breaker or a time-delay fuse, is required.

Electrical Rating:

115V, 60Hz, 10A

Washer Note:

Washer wall outlet must be located within 36" of service cord entry. Wall outlet must not be located behind dryer.

Installation Information:

For complete information, see installation instructions packed with your washer.

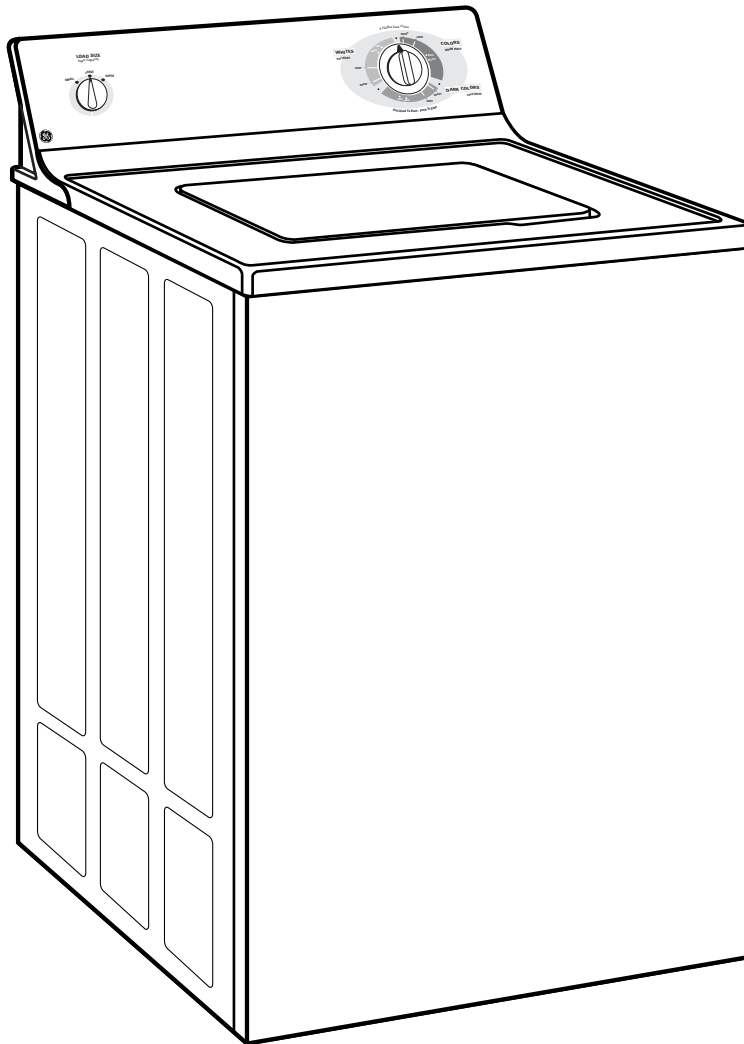


For answers to your Monogram®, GE Profile™ or GE® appliance questions, visit our website at GEAppliances.com or call GE Answer Center® service, 800.626.2000.



GE Appliances

WVSR1060DWW – GE® Super 3.2 Cu. Ft. Capacity Washer



Features and Benefits

- Rotary electromechanical controls – Allow fast, easy cycle selection.
- Six wash cycles – Convenient, preprogrammed settings for regular and delicate fabrics.
- FlexCare™ Agitator – Provides gentle, yet effective washing action.
- Three Water Levels – Minimize water waste.
- Three wash/rinse temperatures – Offer better wash results and longer fabric life.
- Quiet-By-Design™ – Engineered for quiet operation.
- Color lid instructions – Offer easy-to-follow clothing care tips.
- Steel Drive Transmission – Provides smooth, quiet operation with all-metal gears.
- Auto Balance Suspension System – Handles the heaviest loads, without banging or walking.
- Model WVSR1060DWW – White on white