

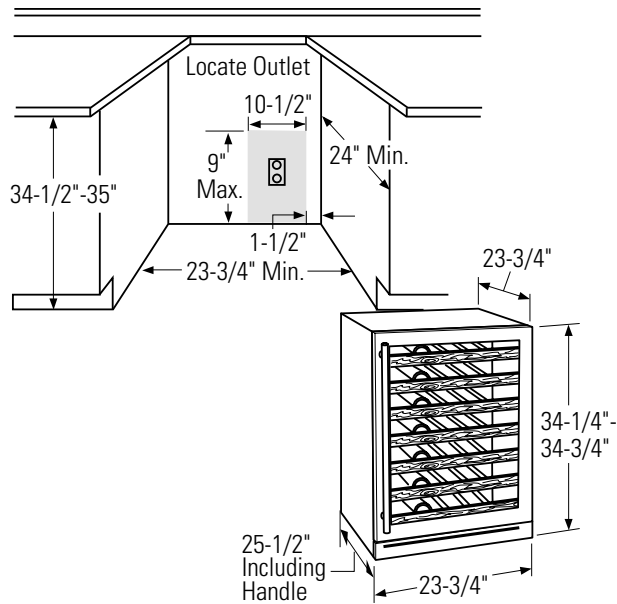


Monogram®

## ZDWC240NBS – GE Monogram Stainless Steel Wine Chiller

### Dimensions and Specifications (in inches)

#### Installation Space



#### The cutout depth must be 24"

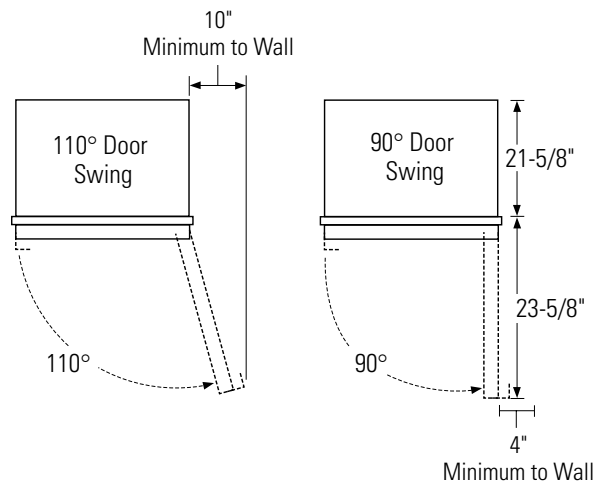
The cutout dimensions shown allows for a full door swing and access to the pull-out racks when installed as a built-in.

- The wine chiller can be installed freestanding.
- If installing between frameless cabinets, a 1/2" wide filler strip or side panel may be needed on hinge side. The filler strip will act as a spacer between the wine chiller case and adjacent cabinet door swing. The width of the opening must include the filler panels. **Note:** The door should protrude 1" beyond the surrounding cabinets.

#### Additional Specifications:

- A 120 volt 60Hz., 15 or 20 amp power supply is required. An individual properly grounded branch circuit or circuit breaker is recommended. Install a properly grounded 3-prong electrical receptacle recessed into the back wall as shown. Electrical must be located on rear wall as shown. **Note:** GFI (ground fault interrupter) is not recommended.

#### Product Clearances



The wine chiller is factory set for a 110° door swing.

#### When installed in a corner:

- Allow 4" min. clearance on the hinge side for the 90° door swing and to allow racks to slide out.
- Allow 10" minimum clearance on the hinge side for a full 110° door swing.
- The door swing is reversible on all models. If desired, change the door swing before installation.

#### Choose the location:

- The wine chiller may be closed in on the top and three sides as long as the front is unobstructed for air circulation and proper access to the door.
- Do not install the wine chiller where the temperature will go below 55°F (13°C) or above 90°F (32°C).
- Do not install where it will be subject to direct sunlight, heat or moisture.

#### Staining Wood Drawer Fronts

The wood drawer fronts on the wine chiller may be stained to match adjacent cabinetry.

- The tinted glass will make the stained wood appear darker. A true color match can be seen only when the door is opened.

Specification Revised 4/06

120024



Listed by  
Underwriters  
Laboratories

For answers to your Monogram®, GE Profile™ or GE appliance questions, visit our website at [GEAppliances.com](http://GEAppliances.com) or call GE Answer Center® service, 800.626.2000.

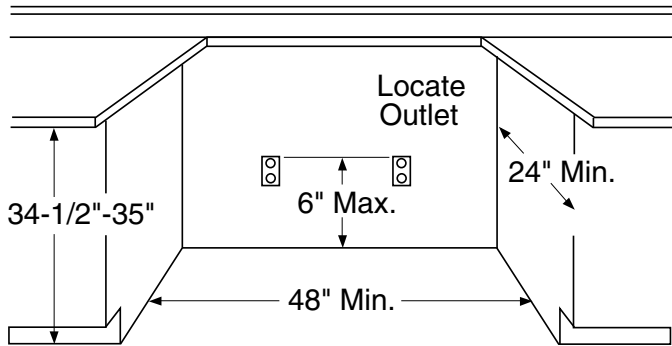


**Monogram®**

## ZDWC240NBS – GE Monogram Stainless Steel Wine Chiller

### Dimensions and Specifications (in inches)

#### Side-by-Side Installations



Increase storage capacity by installing two Monogram wine chillers together. Or for a complete refreshment center, install a beverage center and wine chiller together.

- A side-by-side installation requires a 48" wide opening. No trim kits required.
- Products must operate from properly grounded separate receptacles.

#### Grounding the Wine Chiller

IMPORTANT – (Please read carefully)

FOR PERSONAL SAFETY, THIS APPLIANCE MUST BE PROPERLY GROUNDED.

The power cord of this appliance is equipped with a 3-prong (grounding) plug which mates with a standard 3-prong (grounding) wall receptacle to minimize the possibility of electric shock hazard from this appliance.

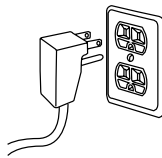
Have the wall outlet and circuit checked by a qualified electrician to make sure the outlet is properly grounded.

When a standard 2-prong wall outlet is encountered, it is your personal responsibility and obligation to have it replaced with a properly grounded 3-prong wall out.

DO NOT, UNDER ANY CIRCUMSTANCES, CUT OR REMOVE THE THIRD (GROUND) PRONG FROM THE POWER CORD.

DO NOT USE AN ADAPTER PLUG TO CONNECT THE REFRIGERATOR TO A 2-PRONG OUTLET.

DO NOT USE AN EXTENSION CORD WITH THIS APPLIANCE.



#### Tools Required

- #2 Phillips screwdriver
- 1" open-end wrench
- Torx screwdriver
- Flat edge tool

#### Hardware Supplied

- Monogram Badge
- Hardware for changing door swing



Listed by  
Underwriters  
Laboratories

For answers to your Monogram®, GE Profile™ or GE appliance questions, visit our website at [GEAppliances.com](http://GEAppliances.com) or call GE Answer Center® service, 800.626.2000.

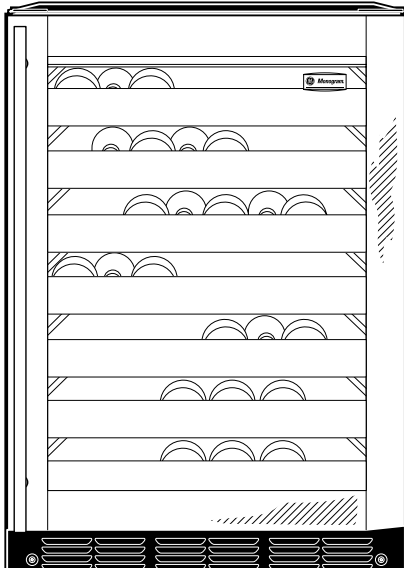
Specification Revised 4/06

120024



**Monogram.**

## **ZDWC240NBS – GE Monogram Stainless Steel Wine Chiller**



### **Features and Benefits**

- Total Capacity – 57 Wine Bottles
- Adjustable Temperature Control
- 7 Full-Width Slide Out Racks
- Interior Light
- See-Thru Glass Door
- Stainless Steel Tubular Handle
- Built-In or Free-Standing Installation Options
- Model ZDWC240NBS – Stainless steel