



Monogram®

ZDBC240NBS – GE Monogram Stainless Steel Beverage Center

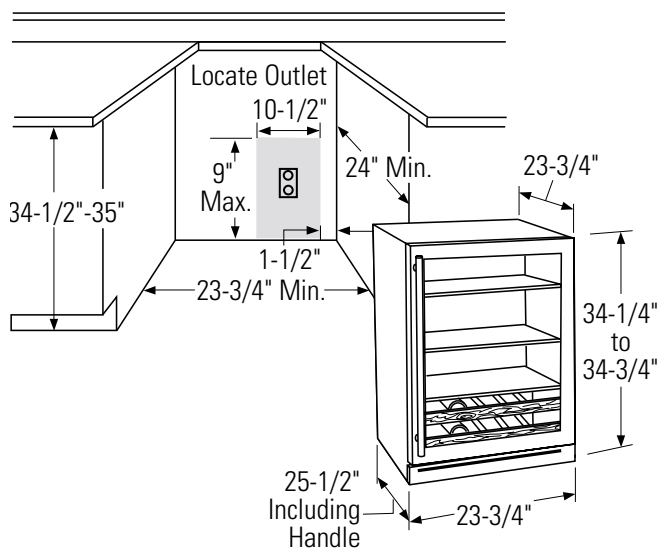
Dimensions and Specifications (in inches)

Installation Space

The Monogram® Beverage Center may be installed beneath a countertop or can be used free-standing.

- If installing between frameless cabinets, a 1/2"-wide filler strip or side panel may be required. The filler strip will act as a spacer between the door case and adjacent cabinet and will prevent interference with cabinet door swing. The width of the opening must include filler panels.

Note: When installed, the door should project forward 1" of adjacent 24"-deep cabinets.



Side-by-Side Installation

For a complete refreshment center, install a Monogram Wine Reserve and Beverage Center together.

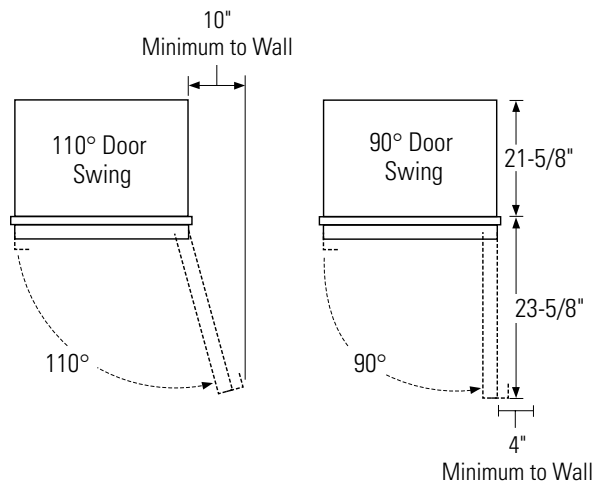
- Products must operate from separate properly grounded receptacles.

Door Swing Clearances

All Monogram Refrigeration Modules are factory set for a 110° door swing.

When installed in a corner:

- Allow the minimum door swing clearances shown.
- The minimum clearance shown at 90° will allow full extension of drawers and shelves.



Location Requirements

All Monogram Refrigeration Modules may be closed in on the top and sides as long as the front is unobstructed for air circulation and door swing.

- Do not install these products where the temperatures will go below 55°F (13°C) or above 90°F (32°C).
- Do not install where they will be subject to direct sunlight, heat or moisture.
- These products are not designed to be stacked one over the other.

Electrical

A 120V, 60Hz, 15 or 20 amp power supply is required. An individual properly grounded branch circuit or circuit breaker is recommended. Install a properly grounded 3-prong electrical recessed into the back wall as shown. Electrical must be located on rear wall as shown.

Note: GFCI (ground fault circuit interrupter) is not recommended.



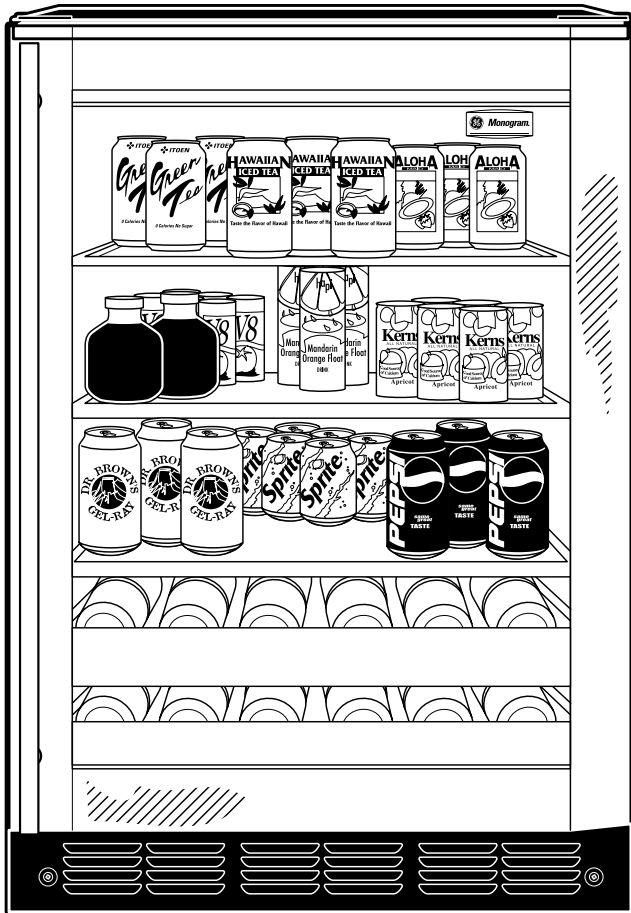
Listed by
Underwriters
Laboratories

For answers to your Monogram®, GE Profile™ or GE® appliance questions, visit our website at GEAppliances.com or call GE Answer Center® service, 800.626.2000.



Monogram®

ZDBC240NBS – GE Monogram Stainless Steel Beverage Center



Features and Benefits

- Adjustable manual thermostat – Maintains the ideal temperature for aging or serving wine
- Removable spillproof glass shelves – Helps contain spills for ease of cleaning
- Beverage shelf on full-extension slides – Holds up to five wine bottles or ten 12-oz. cans
- Unfinished heart-of-cherry wood shelf fronts – Can be finished to complement surrounding cabinetry
- See-through glass door – Affords a full view of contents
- Soft interior lighting – Automatically illuminates when the door is open, but can be activated by an internal on/off switch
- Stainless steel tubular handle – Designed to coordinate with other Monogram appliances
- Flush installation – Allows near-seamless integration with surrounding cabinetry
- Reversible door swing – Easily reversed to left or right door swing as needed
- Model ZDBC240NBS – Stainless steel