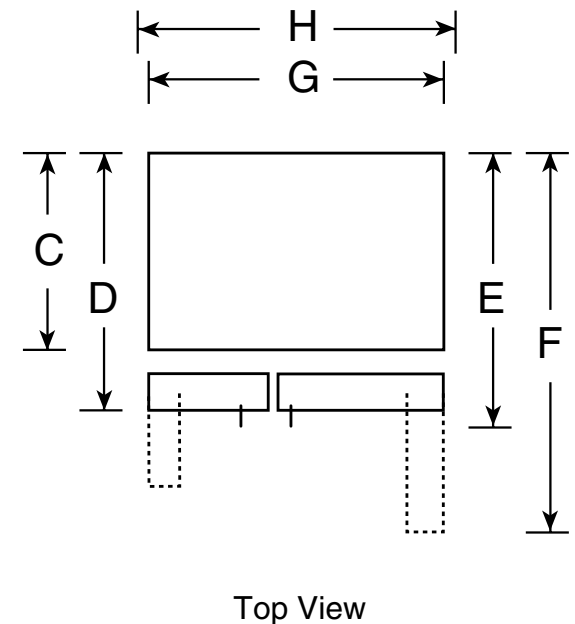
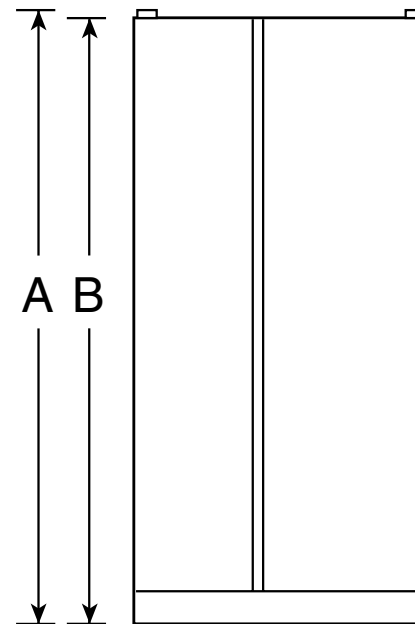


# PSHF6YGX

## GE Profile™ 25.5 Cu. Ft. Side-By-Side Refrigerator

### Dimensions and Installation Information (in inches)

Overall Dimensions	Height to top of hinge (in.) <b>A</b>	<b>69-3/8</b>
	Height to top of case (in.) <b>B</b>	<b>68-3/4</b>
	Case depth without door (in.) <b>C†</b>	<b>28</b>
	Case depth less door handle (in.) <b>D†</b>	<b>32-3/8</b>
	Case depth with door handle (in.) <b>E†</b>	<b>35</b>
	Depth with fresh food door open 90° (in.) <b>F†</b>	<b>50-1/8</b>
	Width (in.) <b>G</b>	<b>35-3/4</b>
Air Clearances	Width with door open 90° inc. door handle (in.) <b>H</b>	<b>43-1/2</b>
	Each side (in.)	<b>1/8</b>
	Top (in.)	<b>1</b>
	Back (in.)	<b>1</b>



†Water hook-up fits in back air clearance when calculating installation depth.

If installed against a wall, allow clearance of 14-3/16" on freezer side to remove bin. To remove fresh food pans, remove door bins.

Clearance required to remove fresh food full-size pan without disassembling is 18-15/16".

Allow additional space for any necessary leveling adjustments.

For answers to your Monogram,® GE Profile™ or GE® appliance questions, visit our website at [ge.com](http://ge.com) or call GE Answer Center® service, 800.626.2000.



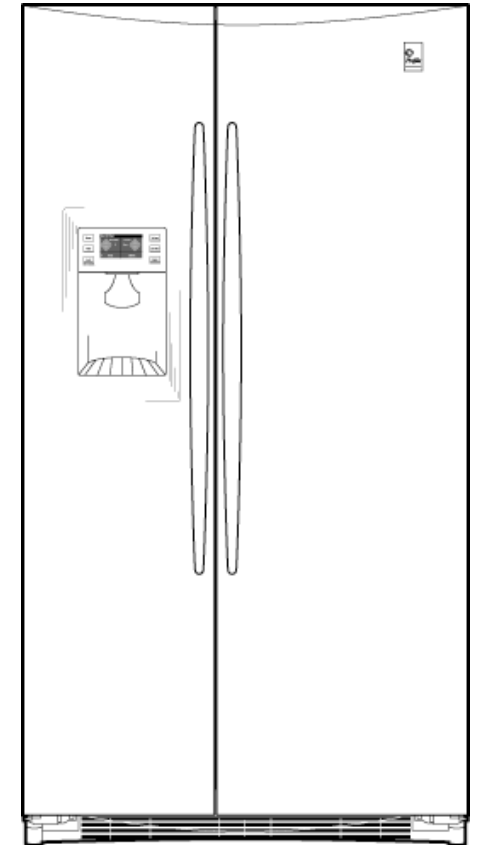
As an ENERGY STAR® partner, GE has determined that this product meets the ENERGY STAR guidelines for energy efficiency.

# PSHF6YGX

## GE Profile™ 25.5 Cu. Ft. Side-By-Side Refrigerator

### Features and Benefits

- High-Gloss Finish with Top Bevel - Offers a smooth surface with contoured doors with a concealed hinge
- ClimateKeeper2™ System - Keeps food garden fresh longer, while protecting ice from odor transfer, with its unique dual-evaporator system
- LED Lighting - Casts a clean, beautiful light throughout the fresh food area of the refrigerator
- Color LCD Controls with Touch Screen - Makes it easy to control all the functions of the refrigerator with just a touch
- Integrated Dispenser with LED Lighting, PreciseFill & UltraFlow100 - Illuminates the dispenser and pours water in accurate increments or up to 100 ounces per minute
- QuickFreeze Setting - Provides faster, fresher freezing to maintain the flavor and quality of meats
- Electronic Beverage Center - Keeps beverages and treats icy cold and easily accessible
- CustomCool™ Technology - Chills in minutes, thaws in hours and keeps foods fresher, longer
- Slide 'n Store™ Full-Extension Freezer Baskets - Extends 12" to 16" beyond the cabinet, providing easy loading and unloading
- Quick Ice™ Option - Makes ice up to 50% faster than normal settings-ideal for entertaining
- TurboCool™ Setting - Cools the refrigerator quickly after frequent door openings
- Integrated Ice™ System - Frees up valuable freezer space; It tilts down, providing easy access to bulk ice
- Tilt-Out Freezer Door Bins - Move forward for convenient access
- Model PSHF6YGXWW - White on white
- Model PSHF6YGXBB - Black on black



imagination at work



As an ENERGY STAR® partner, GE has determined that this product meets the ENERGY STAR guidelines for energy efficiency.