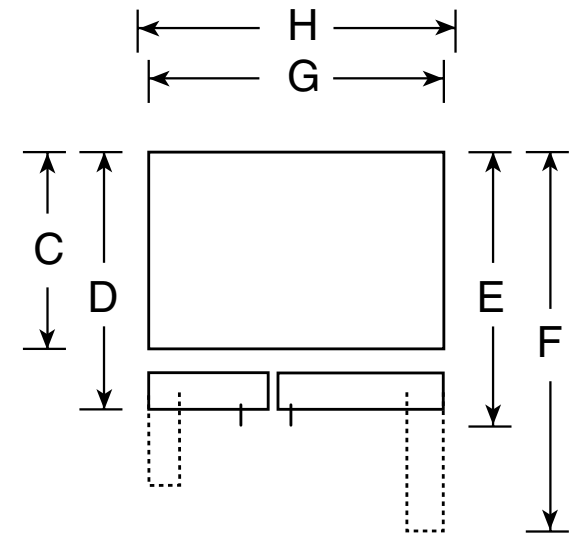
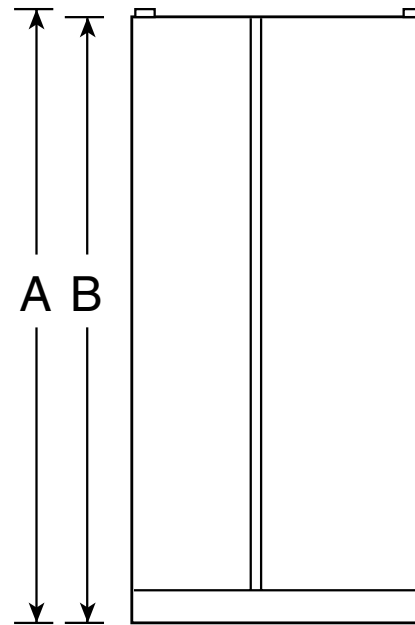


# PSS26MGT

## GE Profile™ ENERGY STAR® 25.6 Cu. Ft. Side-By-Side Refrigerator with Dispenser

### Dimensions and Installation Information (in inches)

Overall Dimensions	Height to top of hinge (in.) <b>A</b>	<b>69-1/4</b>
	Height to top of case (in.) <b>B</b>	<b>68-3/4</b>
	Case depth without door (in.) <b>C†</b>	<b>28</b>
	Case depth less door handle (in.) <b>D†</b>	<b>32-1/4</b>
	Case depth with door handle (in.) <b>E†</b>	<b>34-11/16</b>
	Depth with fresh food door open 90° (in.) <b>F†</b>	<b>50-1/16</b>
	Width (in.) <b>G</b>	<b>35-3/4</b>
Air Clearances	Each side (in.)	<b>1/8</b>
	Top (in.)	<b>1</b>
	Back (in.)	<b>1</b>
	Width with door open 90° inc. door handle (in.) <b>H</b>	<b>42</b>



Top View

†Water hook-up fits in back air clearance when calculating installation depth.

If installed against a wall, allow clearance of 14-3/16" on freezer side to remove bin. To remove fresh food pans, remove door bins.

Clearance required to remove fresh food full-size pan without disassembling is 18-15/16".

Allow additional space for any necessary leveling adjustments.

For answers to your Monogram,® GE Profile™ or GE® appliance questions, visit our website at [ge.com](http://ge.com) or call GE Answer Center® service, 800.626.2000.



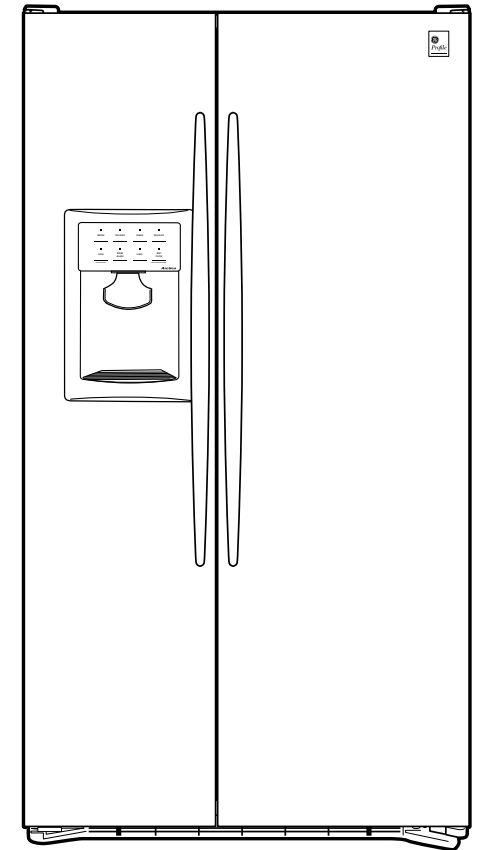
As an ENERGY STAR® partner, GE has determined that this product meets the ENERGY STAR guidelines for energy efficiency.

# PSS26MGT

## GE Profile™ ENERGY STAR® 25.6 Cu. Ft. Side-By-Side Refrigerator with Dispenser

### Features and Benefits

- ClimateKeeper™ System - Best Temperature Management System You Can Buy!
- ExpressChill™ with 3 settings - Chills beverages quickly. Select 15, 30 or 45 minute with easy one button selection
- Electronic controls with actual temperature display - Eliminates guesswork in setting refrigerator temperatures
- Tall LightTouch! Dispenser with Child Lock - Delivers chilled water, cubed ice or crushed ice at the slightest touch. A child lockout option keeps the dispenser off limits to little hands
- Slide 'n Store™ Full-Extension Freezer Baskets - Extends 12" to 16" beyond the cabinet, providing easy loading and unloading
- Quick Ice™ Option - Makes ice up to 50% faster than normal settings-ideal for entertaining
- TurboCool™ Setting - "Revs up" the refrigerator, cooling it quickly after frequent door openings
- Integrated Ice™ System - Frees up valuable freezer space. It tilts down, providing easy access to bulk ice
- Tilt-Out Freezer Door Bins - Move forward for convenient access
- Integrated Shelf Support System - Provides strong, yet flexible support
- Model PSS26MGTWW - White on white
- Model PSS26MGTCC - Bisque on bisque
- Model PSS26MGTBB - Black on black



imagination at work



As an ENERGY STAR® partner, GE has determined that this product meets the ENERGY STAR guidelines for energy efficiency.