

JP980WK/CK/BK

GE Profile™ 36" Built-In CleanDesign Electric Cooktop

Dimensions and Installation Information

KW Rating	
240V	8.6
208V	6.5
Breaker Size	
240V	40 Amps†
208V	40 Amps†

†**Note:** Check local codes for required breaker size

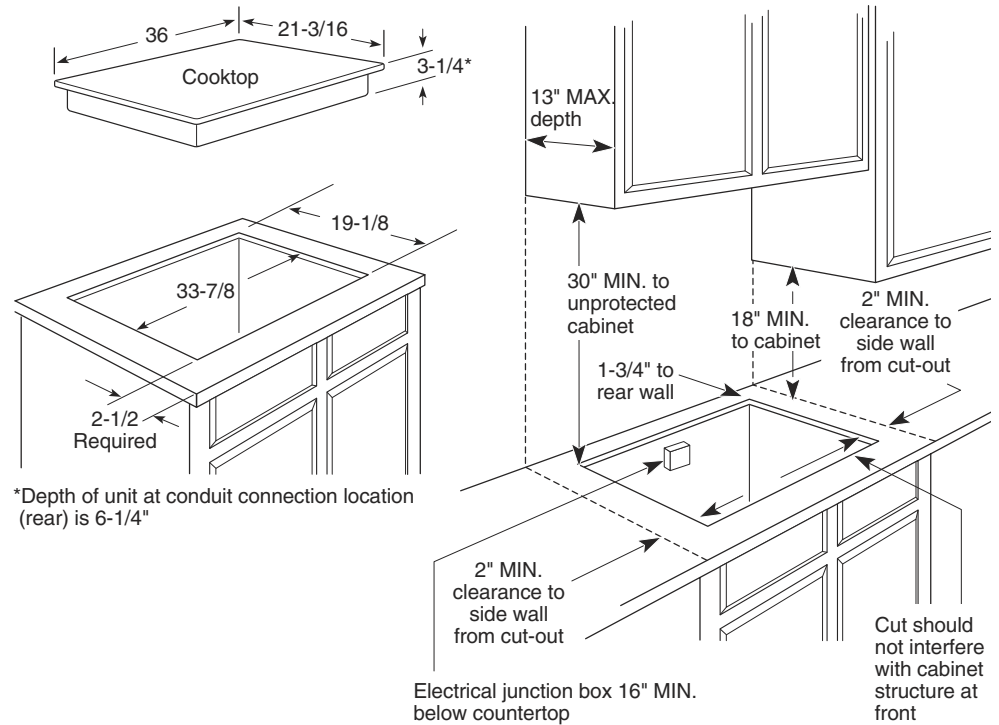
Important: Requires a 5" free area between the bottom of the cooktop to any combustible material, i.e., shelving. Free area not required when installing wall oven underneath cooktop. Refer to installation instructions. Requires an 18" minimum from cooktop to adjacent overhead cabinets. Units are furnished with a 48" flexible armored cable.

Note: 36" Ribbon cooktops are approved for use over GE 30" Single Wall Ovens and Warming Drawers only. Refer to cooktop and wall oven/warming drawer installation instructions packed with product for current dimensional data. If installed with a GE Profile™ Telescopic Downdraft System, consult both the cooktop and downdraft installation instructions packed with product before installing. Cooktop gas/electric supply may need to be re-routed to install downdraft. The countertop must be at least 26" deep with a flat surface area of 23-1/2" or more, front to back. In addition, other clearances to the front edge of the countertop must be considered, especially on raised bullnose countertops. Consult cabinet and countertop manufacturer's specs for flush mount installation prior to install.

Flush Mount Installation Kit : Accommodates both 30" and 36" installations. Not for use with stainless steel models. JXFLM2BB (Black – use with black glass cooktops with a white, bisque or black pattern)

Installation Information: Before installing, consult installation instructions packed with product for current dimensional data.

For answers to your Monogram®, GE Profile™ or GE® appliance questions, visit our website at ge.com or call GE Answer Center® service, 800.626.2000.



Dimension and installation information are shown in inches.



imagination at work



Specification Created 12/04

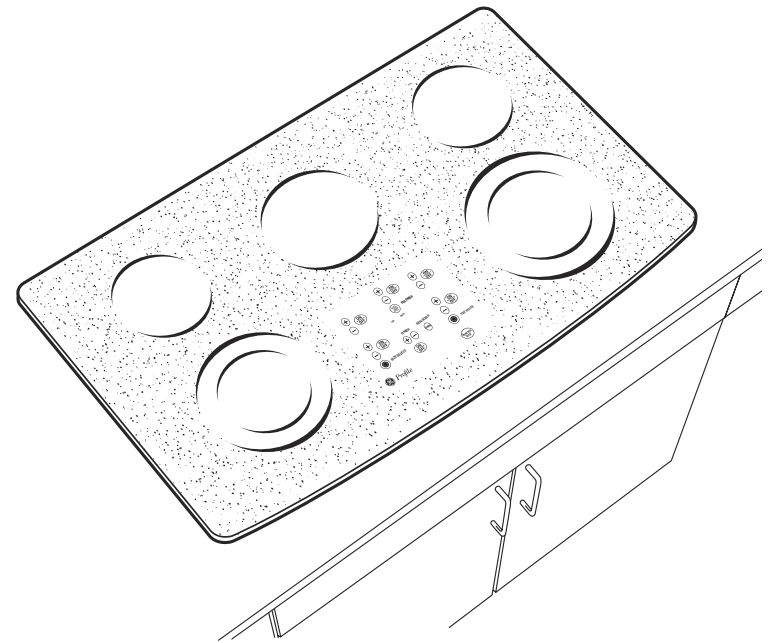
220575

JP980WK/CK/BK

GE Profile™ 36" Built-In CleanDesign Electric Cooktop

Features and Benefits

- Electronic touch controls – Replaces traditional dial controls with digital buttons that are precise and easy-to-use
- Precise Digital Control System™ – Delivers accurate control on the cooktop, ensuring even heating and less temperature variation
- Ceramic glass cooktop – A smooth cooktop surface makes cleaning quick and easy
- Pan presence sensor – Detects when a burner element is left “on” and automatically shuts it off when not in use
- Pan size sensor – Automatically adjusts the heating element to the size of the pan
- Ribbon heating elements – Provides powerful heat beneath the smooth glass surface to ensure even heat and fast warm-up times
- Dual size ribbon elements – Offers a convenient choice of using a 6” or 9” on one and a 5” or 8” on the other heating element, depending on the size of the pan
- Control lock capability– Provides the ability to lock the cooktop's controls, helping protect from unintended activation
- Model JP980WKWW - White on white
- Model JP980CKCC - Bisque on bisque
- Model JP980BKBB - Black on black



imagination at work