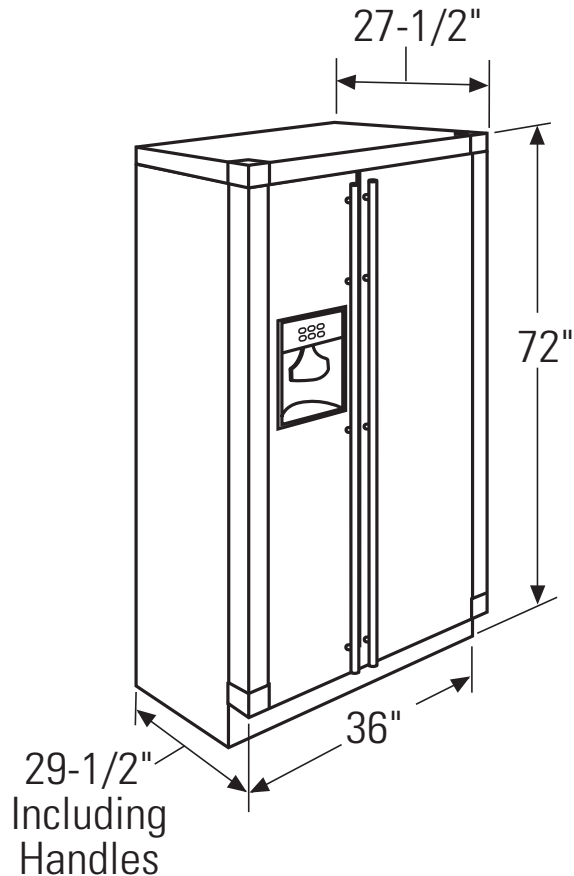




Monogram®

ZFSB23DRSS – GE Monogram 23 Cu. Ft. Free-Standing Stainless Steel Side-by-Side Refrigerator with Dispenser

Dimensions and Specifications (in inches)



Installation Note:

Door and passageways into the installation location require a 36" minimum opening. If the opening is less than 36", the top cap and doors must be removed. See installation instructions for details.

Electrical

A 115V, 60Hz., 15 or 20 amp power supply is required. An individual properly grounded branch circuit or circuit breaker is recommended. Install a properly grounded 3-prong electrical receptacle recessed into the back wall.

Note: GFI (ground fault interrupter) is not recommended.

Water Line

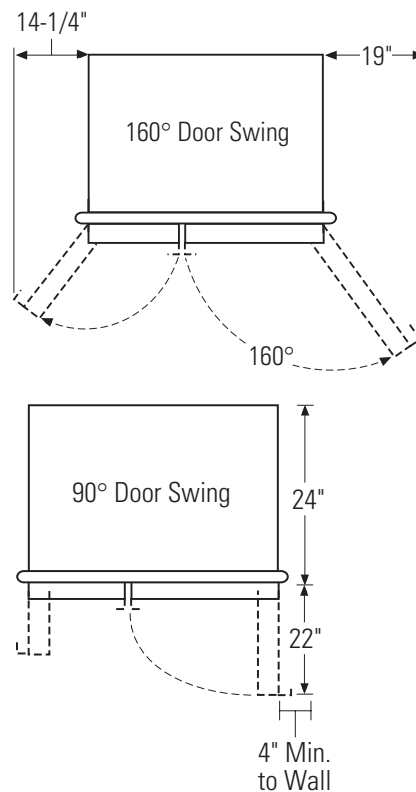
The water line can enter the opening through the floor or back wall. Route 1/4" O.D. copper tubing or GE QuickConnect kit between the cold water line and the water connection location at the rear of the refrigerator. The installation of an easily accessible shut-off valve in the water line is required.

Specification Created 1/04

110210

Door Swing Clearances

The installation must allow for clearances to adjacent walls or cabinets. These refrigerators are factory set for a 160° door swing.



Allow 19" minimum clearance on the fresh food side for a full 160° door swing and pan removal. Allow 14-1/4" clearance on the freezer side for removal of ice bin.

- 4" minimum clearance is required when the door swing is restricted to 90°

Air Circulation Clearances

Allow 1/8" on each side and 1" at the top and back side for proper air circulation.



Listed by
Underwriters
Laboratories



As an ENERGY STAR® partner, GE has determined that this product meets the ENERGY STAR guidelines for energy efficiency.

For answers to your Monogram,® GE Profile™ or GE® appliance questions, visit our website at GEAppliances.com or call GE Answer Center® service, 800.626.2000.



Monogram®

ZFSB23DRSS – GE Monogram 23 Cu. Ft. Free-Standing Stainless Steel Side-by-Side Refrigerator with Dispenser



Features and Benefits

- 22.6 cu. ft. capacity (fresh food 14.4 cu. ft./ freezer 8.2 cu. ft.)
- ENERGY STAR® qualified
- Integrated Ice™ System – The ice bucket is integrated into the icemaker, not the freezer door, freeing up valuable storage space
- Upfront electronic controls with digital readout
- Tri-Level light system
- Multi-shelf air management tower
- Climate control drawer with Express Chill, Express Thaw and Select Temp
- LightTouch! tall dispenser delivers chilled water, cubed and crushed ice through the door
- Model ZFSB23DRSS – Stainless steel

