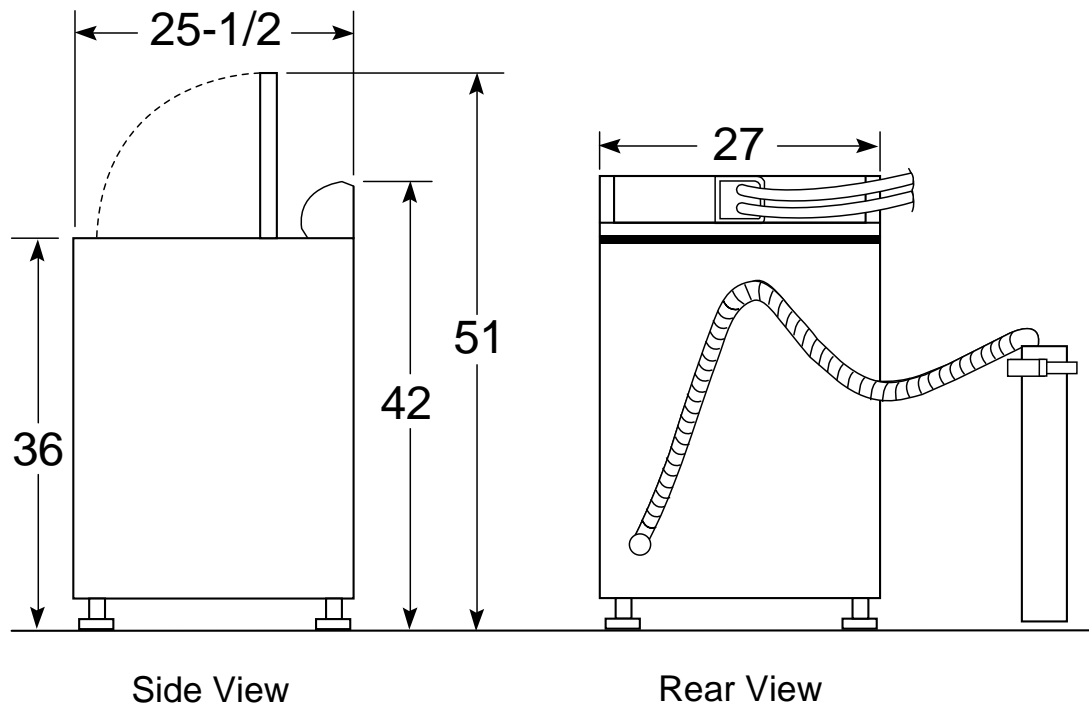




GE Appliances

WJSR4160DCC/WW – GE® Super Plus 3.2 Cu. Ft. Capacity Washer

Dimensions (in inches)



Circuit Requirements:

An individual, properly-grounded branch circuit, with a three-prong grounding-type receptacle, protected by a 15 or 20 amp circuit breaker or a time-delay fuse, is required.

Electrical Rating:

115V, 60Hz, 10A

Washer Note:

Washer wall outlet must be located within 36" of service cord entry. Wall outlet must not be located behind dryer.

Installation Information:

For complete information, see installation instructions packed with your washer.

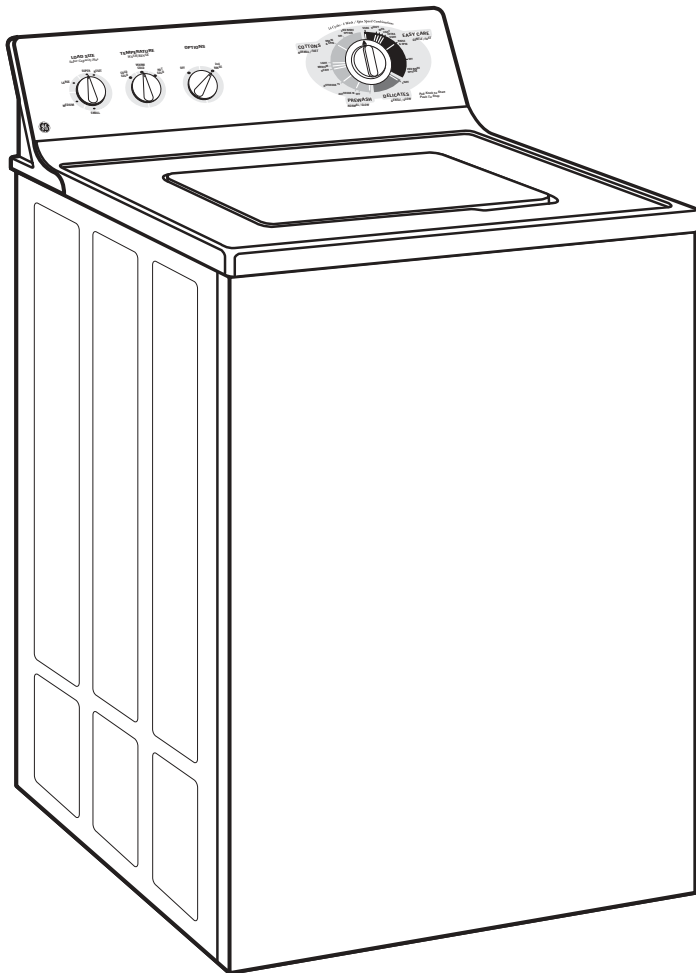


For answers to your Monogram®, GE Profile™ or GE® appliance questions, visit our website at GEAppliances.com or call GE Answer Center® service, 800.626.2000.



GE Appliances

WJSR4160DCC/WW – GE® Super Plus 3.2 Cu. Ft. Capacity Washer



Features and Benefits

- Rotary electromechanical controls – Allow fast, easy cycle selection.
- Four wash/spin speed combinations – Speeds vary according to fabric type for better clothes care.
- 16 wash cycles – Offers precise, fabric-specific clothes care.
- Bleach and fabric softener dispensers – Solutions are automatically mixed with wash water for bright, soft-to-the-touch results.
- Four Water Levels – Offers water and energy savings.
- Auto Soak (Locked) – Soaks dirty clothes for 15 to 30 minutes before the wash cycle, so there's no need for an extra cycle.
- Auto 2nd Rinse – Helps to protect delicate fabrics and sensitive skin.
- Spin Only Option – “Spin-dries” wet clothes like beach towels and swimsuits.
- Rinse and Spin – A fast, convenient way to remove odors and residue from items like swimsuits and towels.
- Model WJSR4160DWW – White on white
- Model WJSR4160DCC – Bisque on bisque