

# PP975SM

## GE Profile™ 36" Built-In CleanDesign Electric Cooktop

### Dimensions and Installation Information (in inches)

| KW Rating    |          |
|--------------|----------|
| 240V         | 8.9      |
| 208V         | 6.7      |
| Breaker Size |          |
| 240V         | 40 Amps† |
| 208V         | 40 Amps† |

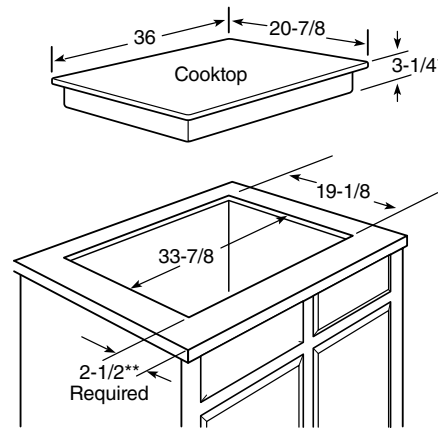
†**Note:** Check local codes for required breaker size

**Important:** Requires a 5" free area between the bottom of the cooktop to any combustible material, i.e., shelving. Free area not required when installing wall oven underneath cooktop. Refer to installation instructions. Requires a 15" minimum from cooktop to adjacent overhead cabinets. Units are furnished with a 48" flexible armored cable.

**Note:** 36" Ribbon cooktops are approved for use over GE 30" Single Wall Ovens and Warming Drawers only. Refer to cooktop and wall oven/warming drawer installation instructions packed with product for current dimensional data. If installed with a GE Profile™ Telescopic Downdraft System, consult both the cooktop and downdraft installation instructions packed with product before installing. Cooktop gas/electric supply may need to be re-routed to install downdraft. The countertop must be at least 26" deep with a flat surface area of 23-1/2" or more, front to back. In addition, other clearances to the front edge of the countertop must be considered, especially on raised bullnose countertops. Consult cabinet and countertop manufacturer's specs for flush mount installation prior to install.

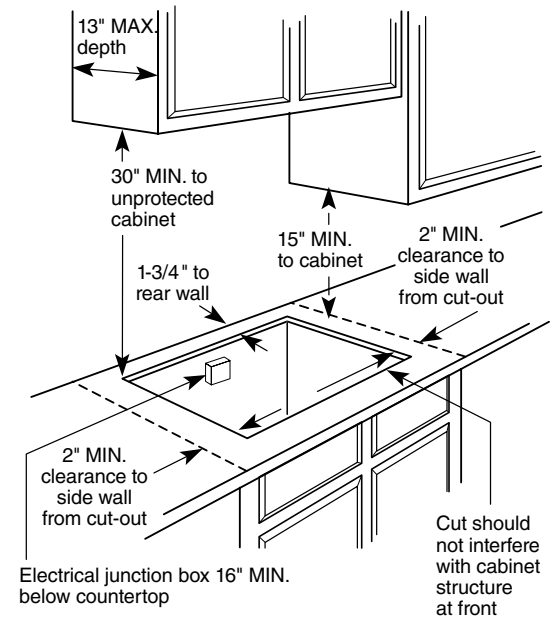
**Installation Information:** Before installing, consult installation instructions packed with product for current dimensional data.

For answers to your Monogram,® GE Profile™ or GE® appliance questions, visit our website at [ge.com](http://ge.com) or call GE Answer Center® service, 800.626.2000.



\*Depth of unit at conduit connection location (rear) is 6-1/4" on models PP980/975/950/945 and 4-5/8" on models PHP960/900, PP972/962/942/932/912 and JP6SS/356/346/340.

\*\*Raised bull nose countertops may require up to 3/8" additional clearance to prevent interference with curved front.



imagination at work



# PP975SM

## GE Profile™ 36" Built-In CleanDesign Electric Cooktop

### Features and Benefits

- Electronic Touch Controls - Offer easy, point-and-cook convenience
- Ribbon Heating Elements - Provide powerful heat beneath a smooth glass surface to ensure even heat and fast warm-up times
- PowerBoil™ Element - Provides up to 3,000 watts of power to speed the boiling process
- Dual Size Ribbon Element - Offers a convenient choice of using a 5" or 8" heating element depending on the size of the pan
- Control Lock Capability - Provides the ability to lock controls, helping protect from unintentional activation
- Stainless Steel Frame - Brings an added touch of style to any decor and perfectly complements all other stainless steel appliances in the kitchen
- 12"/9"/6" Tri-Ring Element - Accommodates various-sized pots or pans for the ultimate in cooking versatility
- Warming Zone - Provides low heat capability for foods, making meal coordination simple
- Model PP975SMSS - Stainless steel



imagination at work