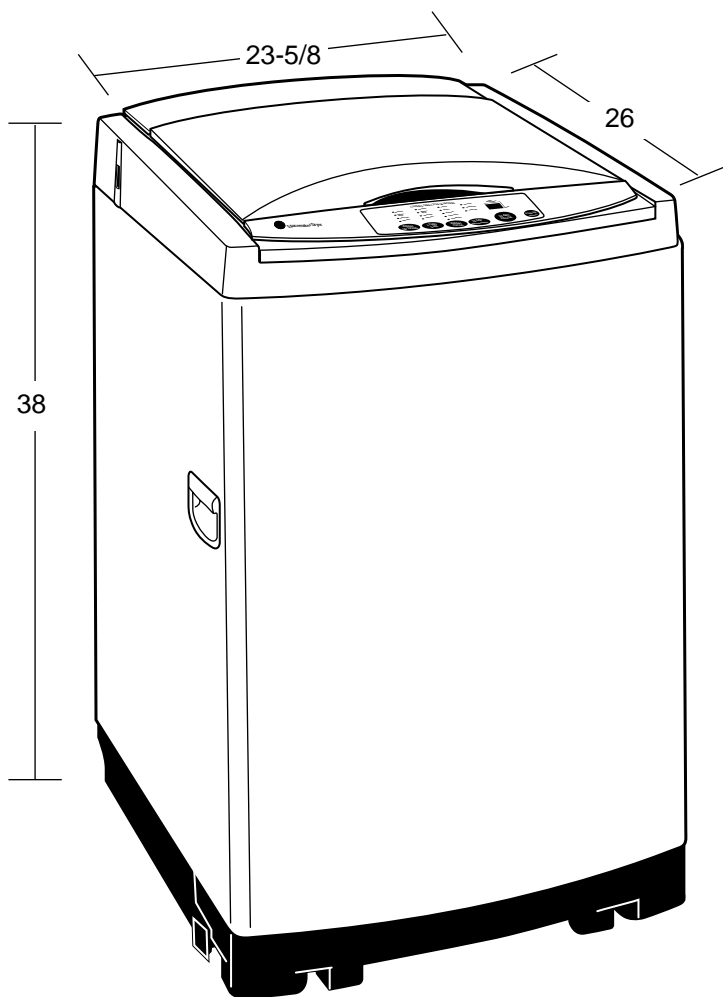




GE Appliances

WSLP1100D – GE Spacemaker® Portable Washer

Dimensions (in inches)



Washer Note: Washer wall outlet must be located within 36" of service cord entry. Wall outlet must not be located behind dryer.

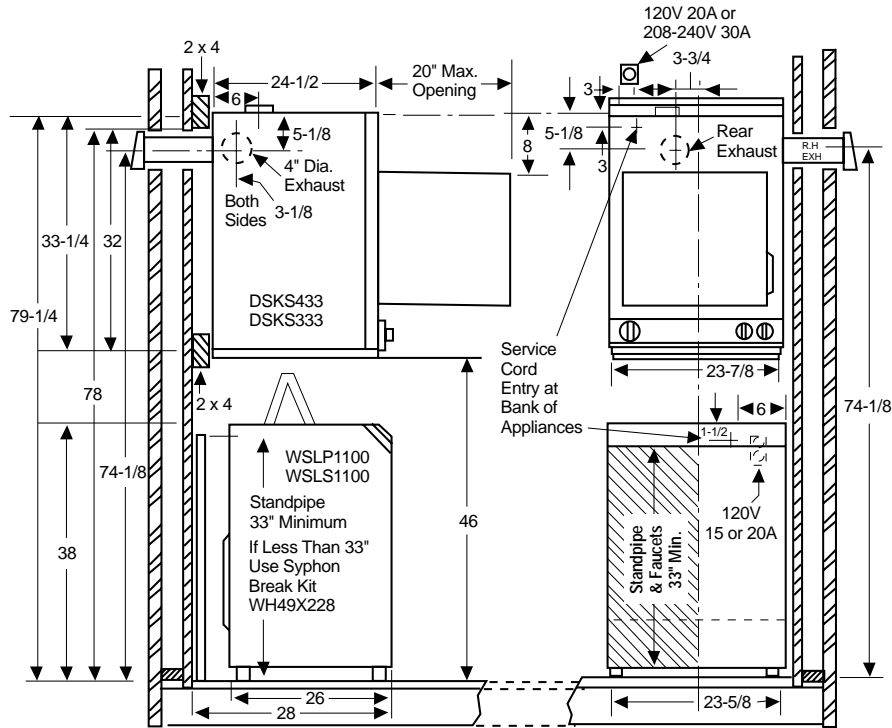


For answers to your Monogram®, GE Profile™ or GE® appliance questions, visit our website at GEAppliances.com or call GE Answer Center® service, 800.626.2000.

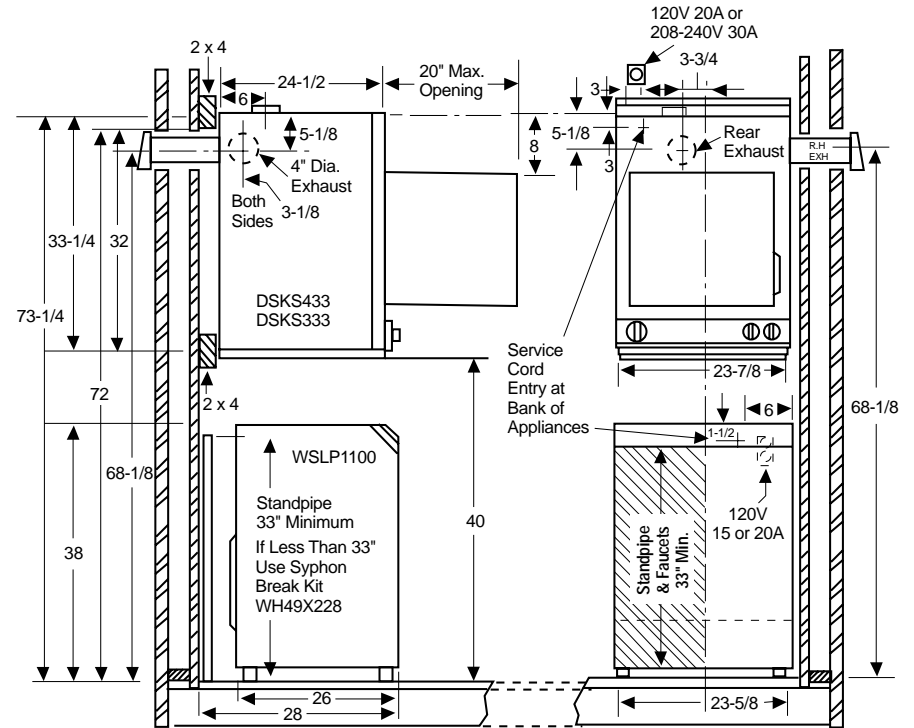


GE Appliances

WSLP1100D – GE Spacemaker® Portable Washer



Use this drawing when space allows for standard installation with room for washer lid opening.



Use this drawing when space will not allow for opening of washer lid. Washer must be rolled forward for use.



Listed by Underwriters Laboratories

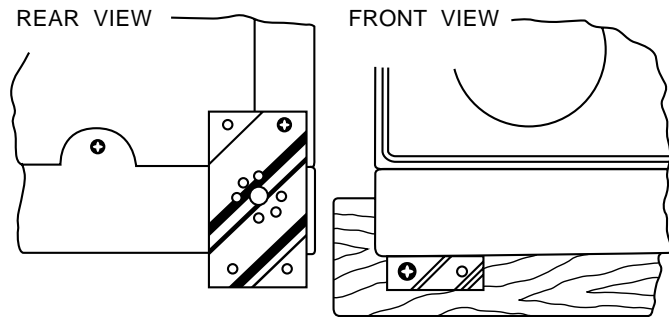
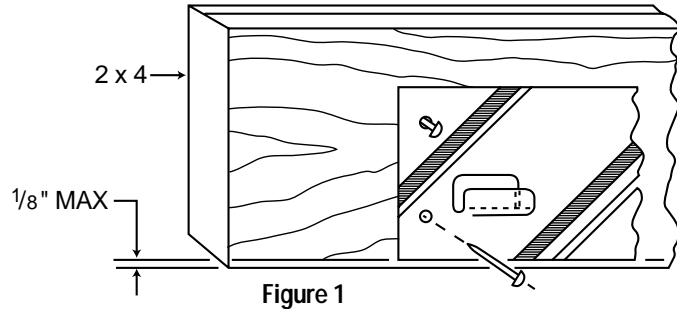




WSLP1100D – GE Spacemaker® Portable Washer

WMK-35 Wall Kit Installation

WALL BRACKET



<p>This kit consists of the following:</p> <ul style="list-style-type: none"> 1 Wall mounting bracket 2 Bottom Brackets 6-1/4 x 3 inch wood screws 7-1/4 x 1-1/2 inch wood screws 12 washers 	<p style="text-align: center;">Dryer Requirements</p> <p>Carefully read and follow individual dryer installation instructions for exhausting requirements.</p>
---	---

GENERAL INFORMATION:

The back of the dryer is not accessible for service or maintenance after dryer mounting installation is complete. It is recommended that the dryer be checked and electrical installation completed prior to mounting. For service or maintenance requiring rear access, the dryer must be removed from the wall.

CAUTION: DISCONNECT ELECTRICAL CURRENT BEFORE INSTALLING OR SERVICING DRYER.

The electrical outlet must be located above the dryer, or beside the dryer if adequate dryer-to-wall clearance is available. The outlet must be within three feet on a 240 volt dryer or a 120 volt dryer from the service cord entry on the rear of the dryer.

CAUTION

The 120 volt receptacle on the back of the 240 volt dryer must not be used with this wall mount kit.

DRYER MOUNTING POSITION

These instructions explain two mounting positions for your 24 inch dryer.

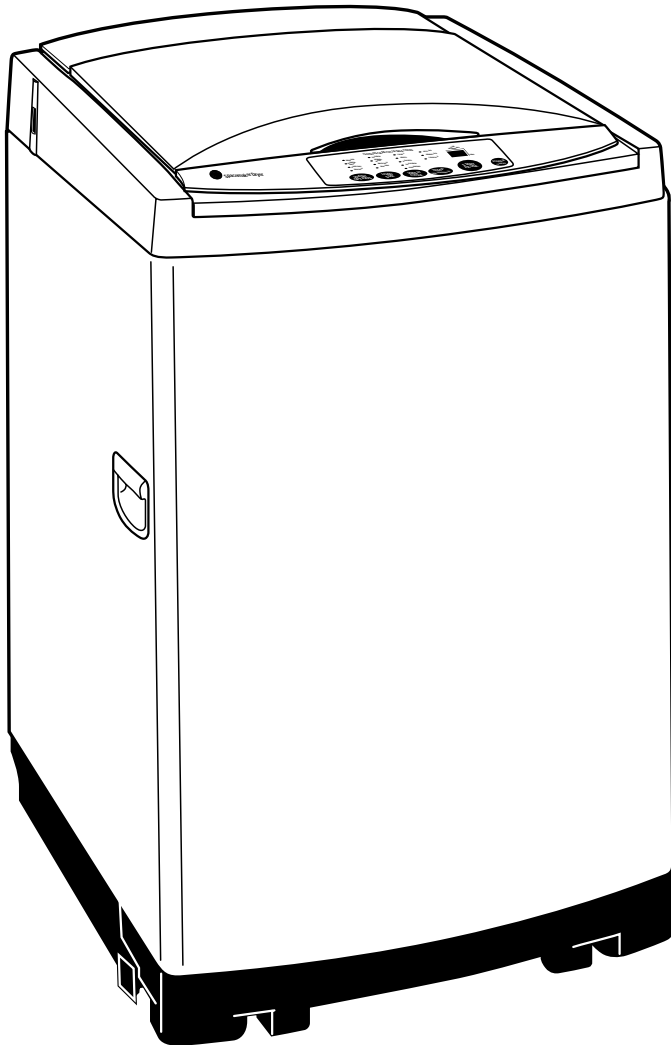
INSTALLATION PROCEDURE:

1. Obtain two pieces of 2x4 long enough to span at least two wall studs and the width of the dryer.
2. Locate wall stud center lines. Mark wall stud center lines on two pieces of 2x4 in relationship to position dryer is to be mounted.
3. Referring to dimensional drawing, draw a horizontal reference line (78") from the floor to locate upper 2x4 support.
4. Position, level and secure upper 2x4 with four 1/4 x 3 inch wood screws. The bottom of the 2x4 should be positioned on reference line.
5. Referring to dimensional drawing, draw a horizontal reference line 32" down from the bottom of the upper 2x4 support.
6. Position, level and secure lower 2x4 with two 1/4 x 3 inch wood screws. The center line of the 2x4 should be positioned on reference line.
7. Referring to figure 1, mount the metal wall bracket 1/8 inch from the bottom of the upper 2x4 support with five 1-1/2 inch wood screws.
8. Referring to figure 2, remove one screw from each lower rear corner of dryer and, using same screws, secure lower brackets (supplied) as shown.
9. Dryer is supplied with exhaust at the top, locate and install outside exhaust duct referring to the dimensional drawing. For other optional exhaust directions as shown in dimensional drawing (rear and sides) refer to dryer installation instruction sheet.
10. Position the dryer on the wall mounting bracket and check that the dryer is plumbed.
11. If the dryer needs plumbing, use some of the twelve washers supplied with the kit as spacers behind lower brackets of figure 2 and secure the dryer to the lower 2x4 support using the remaining 1-1/2 inch wood screws.



GE Appliances

WSLP1100D – GE Spacemaker® Portable Washer



Features and Benefits

- Electronic one-touch controls with LED read-out – Simplify cycle selection and provide accurate cycle times.
- One-touch loading sensing – Eliminates guesswork and helps reduce water waste.
- Multiple wash cycles – Delivers optimal cleaning results.
- Three wash/rinse temperatures – Offer better wash results and longer fabric life.
- Multiple wash/spin speeds – Matches wash action to fabric type for better cleaning and clothes care.
- Four water levels – Offers water and energy savings.
- Stainless steel basket – It resists rust and won't chip, peel or snag clothes.
- Model WSLP1100DWH – White
- Model WSLP1100DWW – White on white