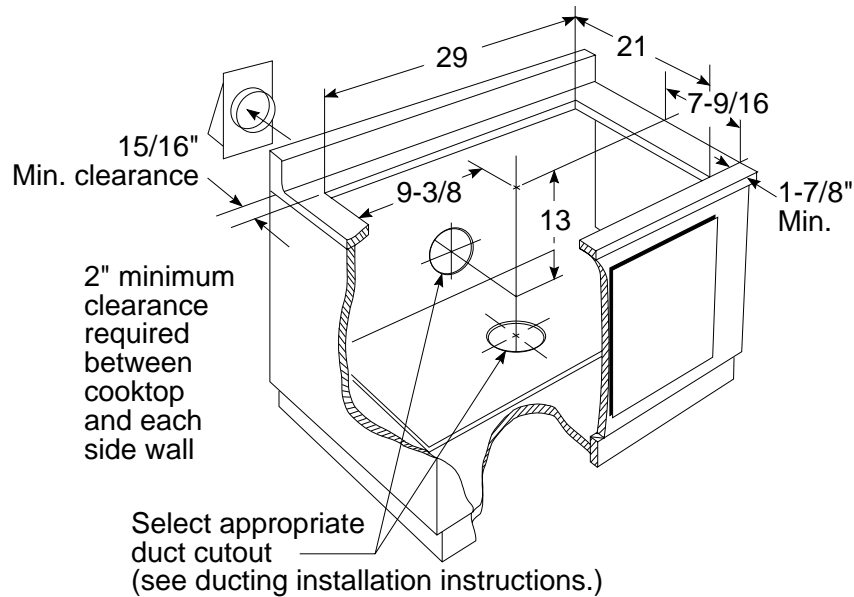
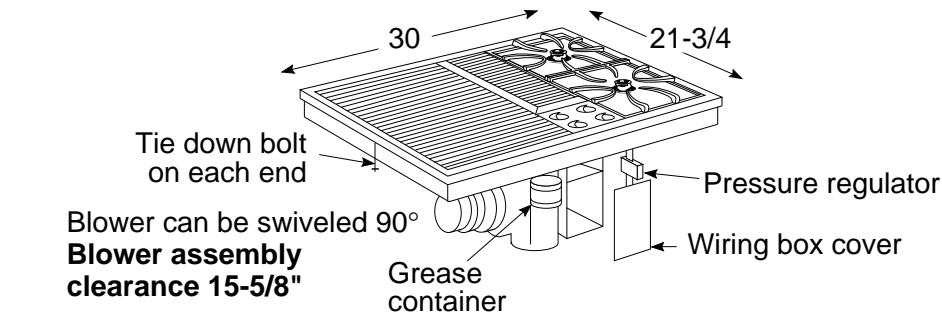




Profile™

JGP979BEF/SEF/WEF – GE Profile™ 30" Built-In Downdraft Gas Modular Cooktop

Installation Information (in inches)



BTU's (000's) Natural Gas*	
Right side (burners)	10.0
Grill Unit	8.0

***JGP979 cooktop is factory set for natural gas. It is not LP convertible.**

Note: Shipped with sealed gas burner module, right side. Left side accepts optional modules that must be ordered and are available at additional cost.

Optional Modules (Available at additional cost)

Two-Burner Gas Module (sealed burners) –

JXGB79W – White on white

JXGB79B – Black on black

Gas Grill Module – JXGG79

Griddle – JXGL79

(use with optional Grill module)

Grill Cover –

JXGC89W – White on white

JXGC89B – Black on black

Installation Information: Before installing, consult installation instructions packed with product for current dimensional data.

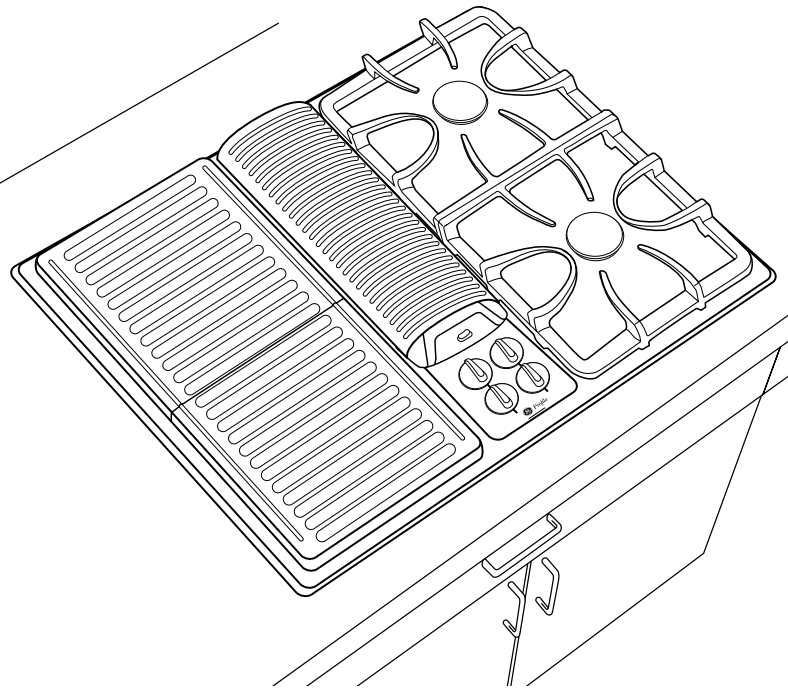


For answers to your Monogram®, GE Profile™ or GE appliance questions, visit our website at GEAppliances.com or call GE Answer Center® service, 800.626.2000.



Profile™

JGP979BEF/SEF/WEF – GE Profile™ 30" Built-In Downdraft Gas Modular Cooktop



Features and Benefits

- Modular cooktop options – Allows the cooktop to be customized to suit individual cooking styles and tastes.
- Downdraft exhaust – Powerful exhaust system effectively pulls smoke and steam out of the kitchen.
- Sealed cooktop burners – Eliminate the space between the burners and the cooktop to help contain spills and boil-over liquids, ensuring easy clean-up.
- Continuous grates – Interlocking grates provide a flat, sturdy surface allowing easy movement of pans between burners.
- Upfront controls – Provide quick and easy access to controls.
- Electronic pilotless ignition – Provides reliable burner ignition operation, eliminating the need for a standing pilot.
- Model JGP979BEFBB – Black on black
- Model JGP979SEFSS – Stainless steel
- Model JGP979WEFWW – White on white