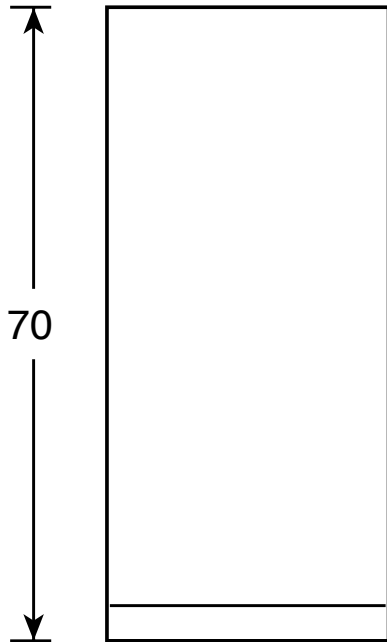


FUF20DT

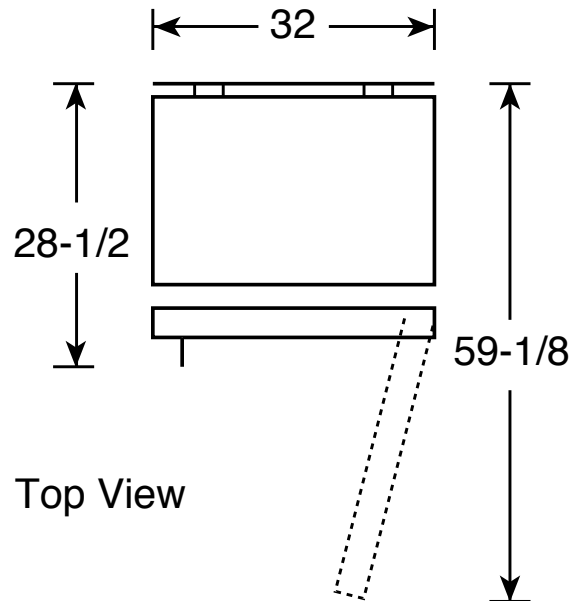
GE® 20.3 Cu. Ft. Capacity Frost-Free Upright Freezer

Dimensions and Installation Information (in inches)

Front View



Top View



Air Clearance	
Each side (in.)	3
Top (in.)	3
Back (in.)	3

For answers to your Monogram®, GE Profile™ or GE® appliance questions, visit our website at ge.com or call GE Answer Center® service, 800.626.2000.

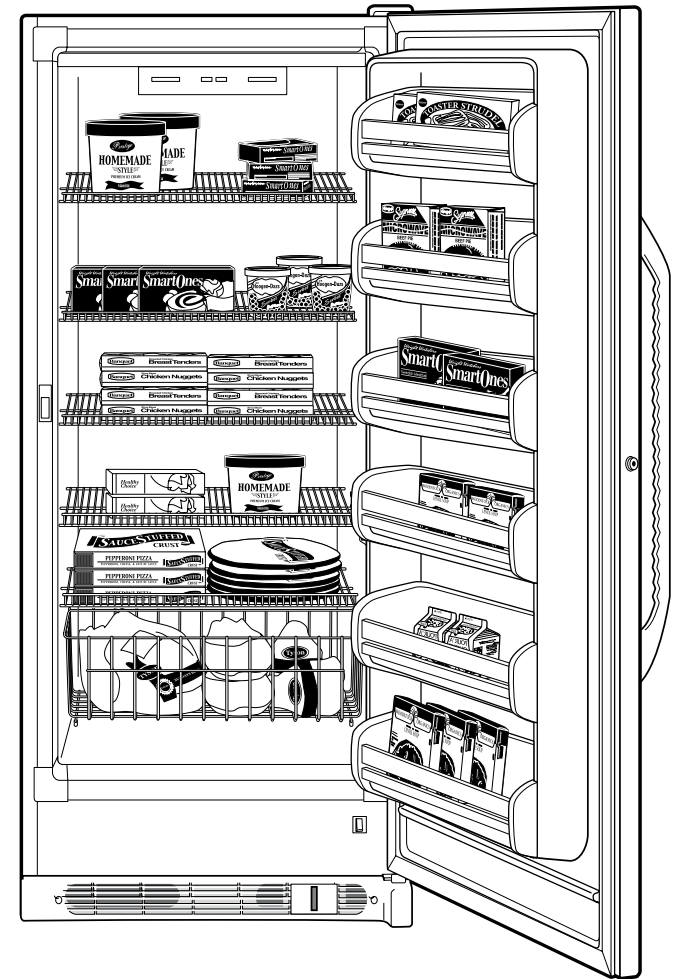


FUF20DT

GE® 20.3 Cu. Ft. Capacity Frost-Free Upright Freezer

Features and Benefits

- 20.3 cu. ft. Capacity
- Frost-Free
- 5 Cabinet Shelves (3 Adjustable)
- 6 Freezer Door Shelves
- 1 Sliding Bulk Storage Basket
- Lock
- Interior Light
- Power "On" Light
- GE CleanTouch Handle
- Adjustable Temperature Control
- Model FUF21DTRWH - White



For answers to your Monogram®, GE Profile™ or GE® appliance questions, visit our website at ge.com or call GE Answer Center® service, 800.626.2000.



imagination at work



Listed by
Underwriters
Laboratories

Specification Created 9/06

311086