



Gas Downdraft Cooktop

Safety Instructions2-7

Operating Instructions

Downdraft Vent System . .10
Features8
Gas Surface Burners9
Using Your Cooktop . . .10

Care and Cleaning

Burner Assemblies11
Burner Caps and Heads .11
Burner Grates and
Vent Grille12
Control Knobs13
Glass Surface13, 14
Vent Filter12

Installation Instructions

Ductwork19-22, 27
Electrical
Connections23, 28, 29
Exhaust Blower Ratings .21
Final Assembly30
Installing
the Cooktop25-28
Installing the Gasket24
Power Supply23
Preparation17-19
Safety Precautions15
Unpacking
the Cooktop16, 24

**Troubleshooting
Tips**31, 32

Consumer Support

Consumer Support36
Product
Registration33, 34
Warranty35

**Owner's Manual
& Installation
Instructions**

JGP989

**Write the model and serial
numbers here:**

Model # _____

Serial # _____

Find these numbers on a label
under the cooktop, on the side
of the vent chamber.



IMPORTANT SAFETY INFORMATION. READ ALL INSTRUCTIONS BEFORE USING.

⚠ WARNING!

For your safety, the information in this manual must be followed to minimize the risk of fire or explosion, electric shock, or to prevent property damage, personal injury, or loss of life.

WARNING: If the information in this manual is not followed exactly, a fire or explosion may result causing property damage, personal injury or death.

- Do not store or use gasoline or other flammable vapors and liquids in the vicinity of this or any other appliance.

— **WHAT TO DO IF YOU SMELL GAS**

- Do not try to light any appliance.
 - Do not touch any electrical switch; do not use any phone in your building.
 - Immediately call your gas supplier from a neighbor's phone. Follow the gas supplier's instructions.
 - If you cannot reach your gas supplier, call the fire department.
- Installation and service must be performed by a qualified installer, service agency or the gas supplier.





IMPORTANT SAFETY NOTICE

The California Safe Drinking Water and Toxic Enforcement Act requires the Governor of California to publish a list of substances known to the state to cause cancer, birth defects or other reproductive harm, and requires businesses to warn customers of potential exposure to such substances.

Gas appliances can cause minor exposure to four of these substances, namely benzene, carbon monoxide, formaldehyde and soot, caused primarily by the incomplete combustion of natural gas or LP fuels. Properly adjusted burners, indicated by a bluish rather than a yellow flame, will minimize incomplete combustion. Exposure to these substances can be minimized by venting with an open window or using a ventilation fan or hood.



SAFETY PRECAUTIONS

Have the installer show you the location of the cooktop gas shut-off valve and how to shut it off if necessary.

- Have your cooktop installed and properly grounded by a qualified installer, in accordance with the Installation Instructions. Any adjustment and service should be performed only by qualified gas cooktop installers or service technicians.
 - Do not attempt to repair or replace any part of your cooktop unless it is specifically recommended in this manual. All other service should be referred to a qualified technician.
 - Locate the cooktop out of kitchen traffic path and out of drafty locations to prevent poor burner performance.
 - Plug your cooktop into a 120-volt grounded outlet only. Do not remove the round grounding prong from the plug. If in doubt about the grounding of the home electrical system, it is your personal responsibility and obligation to have an ungrounded outlet replaced with a properly grounded, three-prong outlet in accordance with the National Electrical Code. Do not use an extension cord with this appliance.
 - Let the burner grates and other surfaces cool before touching them or leaving them where children can reach them.
 - Be sure all packaging materials are removed from the cooktop before operating it to prevent fire or smoke damage should the packaging material ignite.
 - Be sure your cooktop is correctly adjusted by a qualified service technician or installer for the type of gas (natural or LP) which is to be used. Your cooktop can be converted for use with either type of gas. See the Installation Instructions in the LP Conversion Kit.
- WARNING:** These adjustments must be made by a qualified service technician in accordance with the manufacturer's instructions and all codes and requirements of the authority having jurisdiction. Failure to follow these instructions could result in serious injury or property damage. The qualified agency performing this work assumes responsibility for the conversion.
- Do not leave children alone or unattended where a cooktop is hot or in operation. They could be seriously burned.
 - Do not allow anyone to climb, stand or hang on the cooktop.
 - Do not operate or clean your cooktop if the glass is broken or cracked. Cleaning solutions and spillovers could penetrate the broken cooktop and create a risk of electric shock. Call for service immediately if the cooktop glass breaks or cracks.

IMPORTANT SAFETY INFORMATION. READ ALL INSTRUCTIONS BEFORE USING.



SAFETY PRECAUTIONS

- **CAUTION:** Items of interest to children should not be stored in cabinets above a cooktop—children climbing on the cooktop to reach items could be seriously injured.
- Always keep wooden and plastic utensils and canned food a safe distance away from your cooktop.
- Always keep combustible wall coverings, curtains or drapes a safe distance from your cooktop.
- Never wear loose-fitting or hanging garments while using the appliance. Be careful when reaching for items stored in cabinets over the cooktop. Flammable material could be ignited if brought in contact with flame or hot surfaces and may cause severe burns.
- Teach children not to play with the controls or any other part of the cooktop.

⚠ WARNING: NEVER use this appliance as a space heater to heat or warm the room. Doing so may result in carbon monoxide poisoning and overheating of the oven.

- Always keep dish towels, dishcloths, pot holders and other linens a safe distance from your cooktop.
- Do not store flammable materials near a cooktop.
- Do not store or use combustible materials, gasoline or other flammable vapors and liquids in the vicinity of this or any other appliance.
- Do not let cooking grease or other flammable materials accumulate on or near the cooktop.
- Do not operate the burner without all burner parts in place.
- Do not place hot cookware on the glass cooktop. This could cause glass to break.
- Do not clean the cooktop with flammable or volatile cleaning fluids.
- Do not clean the cooktop when the appliance is in use.
- Avoid scratching the cooktop with sharp instruments, or with rings and other jewelry.

- Never use the cooktop as a cutting board.
- Do not use water on grease fires. Never pick up a flaming pan. Turn the controls off. Smother a flaming pan on a surface burner by covering the pan completely with a well-fitting lid, cookie sheet or flat tray. Use a multi-purpose dry chemical or foam-type fire extinguisher.

Flaming grease outside a pan can be put out by covering it with baking soda or, if available, by using a multi-purpose dry chemical or foam-type fire extinguisher.

WARNING: To reduce the risk of fire, electrical shock, or injury to persons, observe the following:

- A. Use this unit only in the manner intended by the manufacturer. If you have questions, contact the manufacturer.
- B. Before servicing or cleaning the unit, switch power off at service panel.
- C. When cutting or drilling into wall or ceiling do not damage electrical wiring and other hidden utilities.
- D. Ducted fans must always be vented to the outdoors.
- E. To reduce the risk of fire, use only metal ductwork.
- F. Do not flame foods on the cooktop. If you do flame foods under the hood, turn the fan on.

WARNING: To reduce the risk of a cooktop grease fire:

- A. Keep fan, filters and grease-laden surfaces clean.
- B. Always turn vent ON when cooking at high heat.
- C. Use high settings on cooktop only when necessary. Heat oil slowly on low to medium setting.
- D. Don't leave the cooktop unattended when cooking.
- E. Always use cookware and utensils appropriate for the type and amount of food being prepared.

CAUTION: For general ventilating use only. Do not use to exhaust hazardous or explosive materials and vapors.



GLASS COOKTOP SURFACE *(on some models)*

Use care when touching the glass cooktop surface. The glass surface of the cooktop will retain heat after the controls have been turned off.

- Avoid scratching the glass cooktop surface. The glass surface can be scratched with items such as sharp instruments, rings or other jewelry and rivets on clothing.
 - Large scratches or impacts to glass cooktops can lead to broken or shattered glass.
 - Do not operate the cooktop if the glass is broken. Spillovers or cleaning solution may penetrate a broken cooktop and create a risk of electrical shock. Contact a qualified technician immediately should your glass cooktop surface become broken.
 - Never use the glass cooktop surface as a cutting board.
 - Do not place or store items that can melt or catch fire on the glass cooktop surface, even when it is not being used.
 - Be careful when placing spoons or other stirring utensils on glass cooktop surface when it is in use. They may become hot and could cause burns.
 - Clean the cooktop surface with caution. If a wet sponge or cloth is used to wipe spills on a hot surface, be careful to avoid steam burns. Some cleaners can produce noxious fumes if applied to a hot surface.
- NOTE:** We recommend that you avoid wiping any surface areas until they have cooled and the indicator light has gone off. Sugar spills are the exception to this. Please see *Cleaning the glass cooktop surface* section.
- When the cooktop is cool, use only CERAMA BRYTE® Ceramic Cooktop Cleaner and the CERAMA BRYTE® Cleaning Pad to clean the cooktop.
 - To avoid possible damage to the cooking surface, do not apply cleaning cream to the glass surface when it is hot.
 - After cleaning, use a dry cloth or paper towel to remove all cleaning cream residue.
 - Read and follow all instructions and warnings on the cleaning cream labels.

IMPORTANT SAFETY INFORMATION. READ ALL INSTRUCTIONS BEFORE USING.



⚠ WARNING! SURFACE BURNERS

Use proper pan size—avoid pans that are unstable or easily tipped. Select cookware having flat bottoms large enough to cover burner grates. To avoid spillovers, make sure cookware is large enough to contain the food properly. This will both save cleaning time and prevent hazardous accumulations of food, since heavy spattering or spillovers left on cooktop can ignite. Use pans with handles that can be easily grasped and remain cool.

- Always use the **LITE** position when igniting the top burners and make sure the burners have ignited.
- Never leave the surface burners unattended at high flame settings. Boilovers cause smoking and greasy spillovers that may catch on fire.
- Use only dry pot holders—moist or damp pot holders on hot surfaces may result in burns from steam. Do not let pot holders come near open flames when lifting cookware. Do not use a towel or other bulky cloth in place of a pot holder. Such cloths can catch fire on a hot burner.
- When using glass cookware, make sure it is designed for cooktop cooking.
- To minimize the possibility of burns, ignition of flammable materials and spillage, turn cookware handles toward the side or center of the cooktop without extending over adjacent burners.
- Always turn the surface burner controls off before removing cookware.
- Carefully watch foods being fried at a high flame setting.
- Always heat fat slowly and watch as it heats.
- Do not leave any items on the cooktop. The hot air from the vent may ignite flammable items and will increase pressure in closed containers, which may cause them to burst.
- If a combination of oils or fats will be used in frying, stir together before heating or as fats melt slowly.
- Do not use a wok on the cooking surface if the wok has a round metal ring that is placed over the burner grate to support the wok. This ring acts as a heat trap, which may damage the burner grate and burner head. Also, it may cause the burner to work improperly. This may cause a carbon monoxide level above that allowed by current standards, resulting in a health hazard.
- Foods for frying should be as dry as possible. Frost on frozen foods or moisture on fresh foods can cause hot fat to bubble up and over the sides of the pan.
- Use the least possible amount of fat for effective shallow or deep-fat frying. Filling the pan too full of fat can cause spillovers when food is added.
- Use a deep fat thermometer whenever possible to prevent overheating fat beyond the smoking point.
- Never try to move a pan of hot fat, especially a deep fat fryer. Wait until the fat is cool.
- Do not flame foods on the cooktop. If you do flame foods under the hood, turn the fan on.



SURFACE BURNERS

Adjust the burner flame size so it does not extend beyond the edge of the cookware. Excessive flame is hazardous.

- Do not leave plastic items on the cooktop—they may melt if left too close to the vent.
- Keep all plastics away from the surface burners.
- If you smell gas, turn off the gas to the cooktop and call a qualified service technician. Never use an open flame to locate a leak.
- To avoid the possibility of a burn, always be certain that the controls for all burners are at the off position and all grates are cool before attempting to remove them.
- Never clean the cooktop surface when it is hot. Some cleaners produce noxious fumes and wet cloths could cause steam burns if used on a hot surface.
- Never leave jars or cans of fat drippings on or near your cooktop.
- Do not use aluminum foil under burner grates. Misuse could result in a fire hazard or damage to the cooktop.
- Do not cover or block the area around the cooktop knobs. This area must be kept clear for proper ventilation and burner performance.
- Clean only parts listed in this Owner's Manual.



COOK MEAT AND POULTRY THOROUGHLY...

Cook meat and poultry thoroughly—meat to at least an INTERNAL temperature of 160°F and poultry to at least an INTERNAL temperature of 180°F. Cooking to these temperatures usually protects against foodborne illness.



CONVERTING TO LP GAS (or converting back to natural gas from LP)

This cooktop leaves the factory set for use with natural gas.

If you want to convert to LP gas, the conversion must be performed by a qualified LP gas installer.

The conversion instructions, conversion sticker and LP orifices can be found attached to the cooktop next to the pressure regulator.

There is a second set of instructions included in the envelope containing the product wiring diagrams on the side of the cooktop. Keep these instructions and the orifices in case you want to convert back to natural gas.

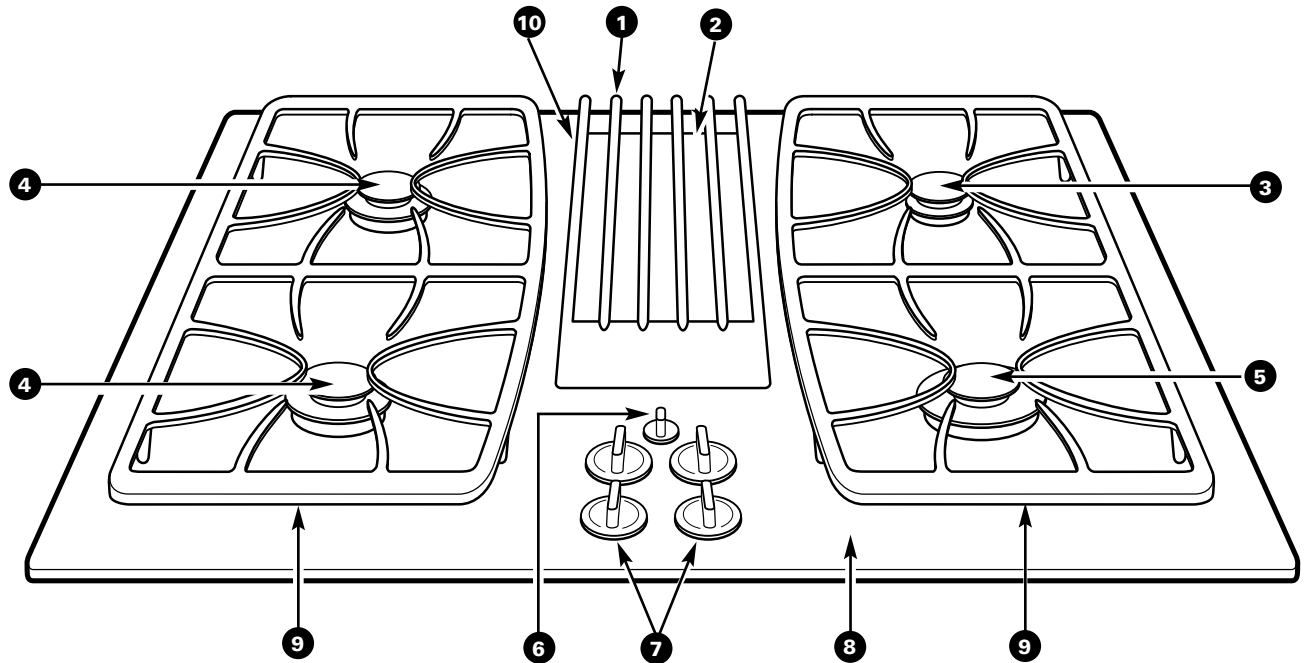


READ AND FOLLOW THIS SAFETY INFORMATION CAREFULLY.

SAVE THESE INSTRUCTIONS

Features of your cooktop.

Throughout this manual, features and appearance may vary from your model.

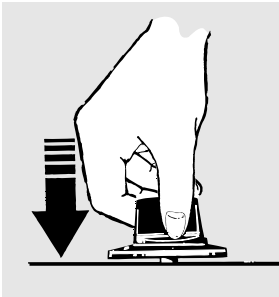


Feature Index	Explained on page
1 Vent Grille	12
2 Vent Filter (located under the vent grille)	12
3 Simmer Spillproof Burner	9, 11
4 Spillproof Burners	9, 11
5 High Power Spillproof Burner	9, 11
6 Vent Control	10
7 Surface Burner Controls	9
8 Glass Cooktop Surface	13, 14
9 Cast-Iron Burner Grates	12
10 Vent Grille Gasket	12, 13, 14

Using the gas surface burners.

ge.com

Throughout this manual, features and appearance may vary from your model.



Push the control knob down and turn it to the **LITE** position.

How to Light a Gas Surface Burner

Push the control knob down and turn it to the **LITE** position.

You will hear a little **clicking** noise—the sound of the electric spark igniting the burner.

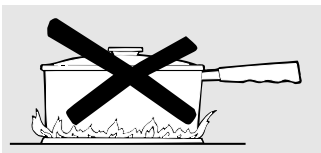
Turn the knob to adjust the flame size. If the knob stays at **LITE**, it will continue to click.

When one burner is turned to **LITE, all the burners spark.** Do not attempt to disassemble or clean around any burner while another burner is on. An electric shock may result, which could cause you to knock over hot cookware.

Sealed Gas Burners

The smaller burner (right rear position) will give the best simmer results. It offers precise cooking performance for delicate foods, such as sauces or foods which need to cook over low heat for a long time. It can be turned down to a very low simmer setting.

The other burners are higher powered and will bring liquids to a boil quicker, especially with the use of a lid.



How to Select Flame Size

For safe handling of cookware, never let the flames extend up the sides of the cookware.

Watch the flame, not the knob, as you reduce heat. The flame size on a gas burner should match the cookware you are using.

Any flame larger than the bottom of the cookware is wasted and only serves to heat the handle.

In Case of Power Failure

In case of a power failure, you can light the gas surface burners on your cooktop with a match. Hold a lit match to the burner, then push in and turn the control knob to the **LITE** position. Use extreme caution when lighting burners this way.

Surface burners in use when an electrical power failure occurs will continue to operate normally.

IN CASE OF A POWER FAILURE, THE VENTILATION SYSTEM WILL NOT OPERATE.

Before Lighting a Gas Burner

- Make sure all grates on the cooktop are in place before using any burner.

After Lighting a Gas Burner

- Do not operate the burner for an extended period of time without cookware on the grate. The finish on the grate may chip without cookware to absorb the heat.
- Be sure the burners and grates are cool before you place your hand, a pot holder, cleaning cloths or other materials on them.

Safety Instructions

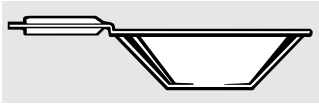
Operating Instructions

Care and Cleaning

Troubleshooting Tips

Consumer Support

Using your cooktop.



Use a flat-bottomed wok.

Wok This Way

We recommend that you use a flat-bottomed wok, available at your local retail store.

Only a flat-bottomed wok should be used. Do not use a flat-bottomed wok with a wok holder.

Do not use a flat-bottomed wok on a support ring. Placing the ring over the burner or grate may cause the burner to work improperly, resulting in carbon monoxide levels above allowable current standards. This could be dangerous to your health.

Cookware

Aluminum: Medium-weight cookware is recommended because it heats quickly and evenly. Most foods brown evenly in an aluminum skillet. Use saucepans with tight fitting lids when cooking with minimum amounts of water.

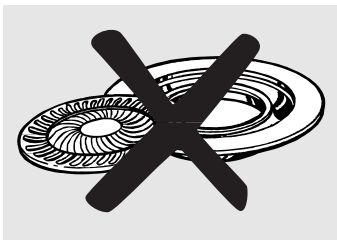
Enamelware: Under some conditions, the enamel of some cookware may melt. Follow cookware manufacturer's recommendations for cooking methods.

Glass: There are two types of glass cookware: those for oven use only and those for cooktop cooking (saucepans, coffee and tea pots). Glass conducts heat very slowly.

Cast Iron: If heated slowly, most skillets will give satisfactory results.

Heatproof Glass-Ceramic: Can be used for either surface or oven cooking. It conducts heat very slowly and cools very slowly. Check cookware manufacturer's directions to be sure it can be used on a gas cooktop.

Stainless Steel: This metal alone has poor heating properties and is usually combined with copper, aluminum or other metals for improved heat distribution. Combination metal skillets usually work satisfactorily if they are used with medium heat as the manufacturer recommends.

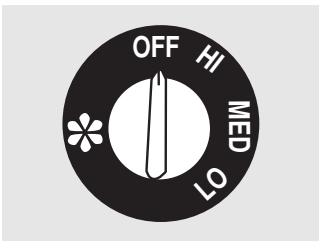


Stove Top Grills

Do not use stove top grills on your sealed gas burners. If you use the stove top grill on the sealed gas burner it will cause incomplete combustion and can

result in exposure to carbon monoxide levels above allowable current standards. This can be hazardous to your health.

Using the downdraft vent system.



How to Operate the Downdraft Vent System

The built-in vent system helps remove cooking vapors, odors and smoke from foods prepared on the cooktop.

Turn the vent fan speed control knob to **HI**, **MED** or **LO**, as needed.

Continuous use of the vent system while cooking helps keep the kitchen comfortable and less humid, reducing cooking odors and soiling moisture that normally creates a frequent need for cleaning.

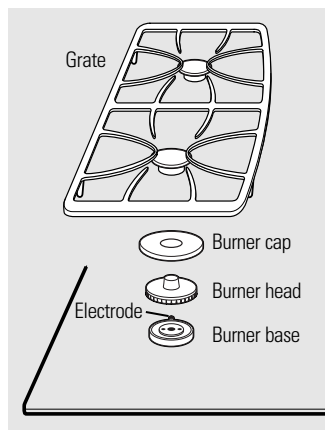
The appearance of the burner flames may be affected when the vent fan is operating. At high fan speed setting, the flame may be drawn toward the vent opening, affecting cooking performance.

IN CASE OF A POWER FAILURE, THE VENTILATION SYSTEM WILL NOT OPERATE.

Care and cleaning of the cooktop.

ge.com

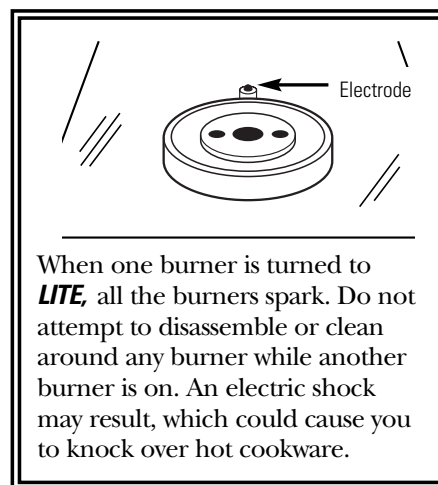
Be sure electrical power is off and all surfaces are cool before cleaning any part of the cooktop.



Sealed Burner Assemblies

Turn all controls **OFF** before removing the burner parts.

The burner grates, caps and burner heads can be lifted off, making them easy to clean.



CAUTION: Do not operate the burner without all burner parts in place.

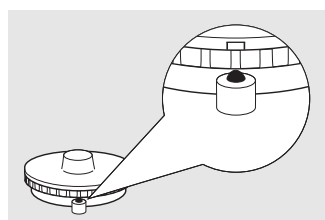
Safety Instructions

Operating Instructions

Care and Cleaning

Troubleshooting Tips

Consumer Support



After cleaning, make sure the notch in the burner head is positioned toward the electrode. Rotate the burner head around the burner base until it is level and securely seated.

Burner Caps and Heads

NOTE: Before removing the burner caps and heads, remember their size and location. Replace them in the same location after cleaning. The burner heads and burner bases are labeled A, B and C to aid reassembly.

Burner Caps

Lift off when cool. Wash burner caps in hot, soapy water and rinse with clean water. You may scour with a plastic scouring pad to remove burned-on food particles.

Burner Heads

The slits in the burner heads of your cooktop must be kept clean at all times for an even, unhampered flame.

You should clean the surface burners routinely, especially after bad spills, which could clog these openings. Lift off when cool.

To remove burned-on food, soak the burner heads in a solution of mild liquid detergent and hot water for 20–30 minutes. For more stubborn stains, use a toothbrush.

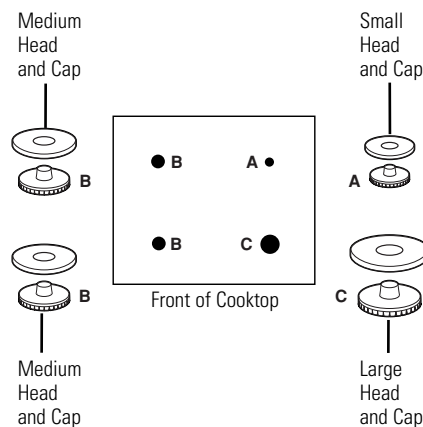
After Cleaning

Before putting the burner caps and heads back, shake out excess water and then dry them thoroughly by setting in a warm oven for 30 minutes.

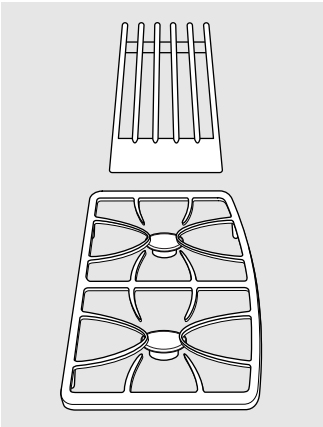
Replacement

The burner heads and burner bases are labeled A, B and C to aid reassembly.

Replace the burner heads on the bases matching the letters. Replace the caps on the heads. Make sure that the caps and heads are replaced in the correct location. There is one small (A), two medium (B) and one large (C) head and cap.



Care and cleaning of the cooktop.



Appearance may vary.

The grate legs have one brass foot and three rubber feet. To order replacement rubber grate feet, please call our toll-free number:

**National
Parts Center** 800.626.2002
Rubber Grate Feet .. #WB02T10101

Burner Grates and Vent Grille

Lift off when cool. Grates and grille should be washed regularly and, of course, after spillovers. Wash them in hot, soapy water and rinse with clean water.

Discoloration on the grates may also be removed by using the provided cooktop cleaning cream. Apply a drop or two on a damp cloth and rub across the discolored area. Rinse and dry. After cleaning, replace the burner grates and make sure they are positioned securely over the burners.

To remove burned-on food, use a soap-filled scouring pad.

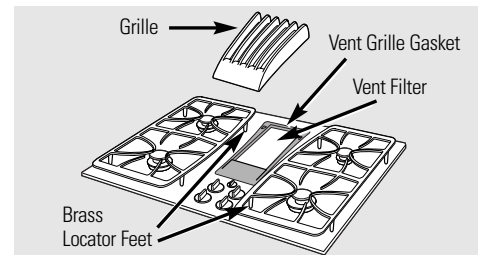
Although they are durable, the grates will gradually lose their shine, regardless of the best care you can give them. This is due to their continual exposure to high temperatures. You will notice this sooner with lighter color grates.

Do not operate a burner for an extended period of time without cookware on the burner grate. The finish on the grate may chip without cookware to absorb the heat.

Replacement

Before replacing the vent grille, make sure the grille gasket is properly installed around the downdraft vent opening, with the word "FRONT" toward the knobs. Replace the vent grille carefully over the gasket.

When replacing the grates, make sure they are positioned with their brass locator feet toward the center.



NOTE: Do not clean the grates, grille or grille gasket in a self-cleaning oven.

The grates, grille and grille gasket may be cleaned in a dishwasher.

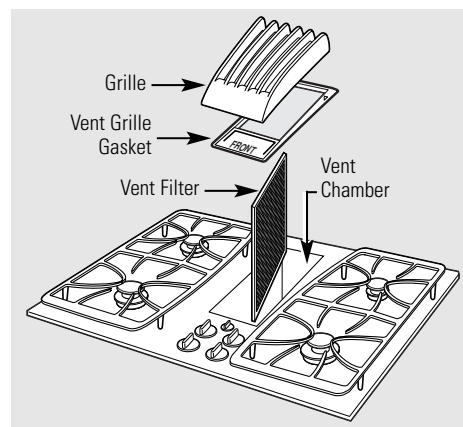
Vent Filter and Chamber

To order replacement filters, please call our toll-free number:

**National
Parts Center** 800.626.2002
Filter #WB02X10651

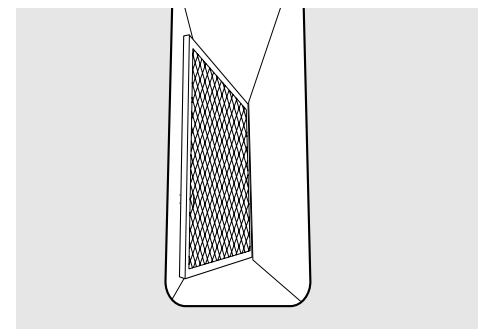
Remove the vent grille and vent grille gasket. The filter is held in place at an angle with a hold bump. Lift the filter up and out of the vent opening diagonally.

Clean the filter by swishing it in hot, soapy water. Rinse well and dry thoroughly.



Remove and replace the filter diagonally through the vent opening.

Do not operate the vent without the filter in place.

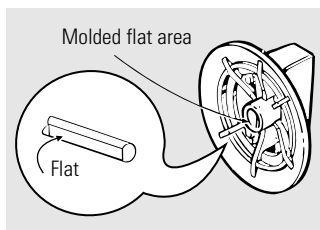


When replacing the filter, make sure it rests, at an angle, on the supports in the vent opening.

To clean the vent chamber, use hot, soapy water. Do not use abrasive cleaners; they will damage the finish.

Replacement

Replace the filter after it is cleaned and dry. Replace the vent grille gasket by forming it around the vent opening and make sure the word "FRONT" is toward the knobs. Replace the grille.



The control knobs may be removed for easier cleaning.

Control Knobs

The control knobs may be removed for easier cleaning.

Make sure the knobs are in the **OFF** positions and pull them straight off the stems for cleaning.

The knobs can be cleaned in a dishwasher or they may also be washed with soap and water. Make sure the insides of the knobs are dry before replacing.

Replace the knobs in the **OFF** position to ensure proper placement.

Cleaning the glass cooktop.



Clean your cooktop after each spill. Use CERAMA BRYTE® Ceramic Cooktop Cleaner.

Normal Daily Use Cleaning

ONLY use CERAMA BRYTE® Ceramic Cooktop Cleaner on the glass cooktop. Other creams may not be as effective.

To maintain and protect the surface of your glass cooktop, follow these steps:

- 1 Before using the cooktop for the first time, clean it with CERAMA BRYTE® Ceramic Cooktop Cleaner. This helps protect the top and makes clean-up easier.
- 2 Daily use of CERAMA BRYTE® Ceramic Cooktop Cleaner will help keep the cooktop looking new.
- 3 Remove the burner grates, vent grille and vent grille gasket.

- 4 Shake the cleaning cream well. Apply a few drops of CERAMA BRYTE® Ceramic Cooktop Cleaner directly to the cooktop.
- 5 Use a paper towel or CERAMA BRYTE® Cleaning Pad for Ceramic Cooktops to clean the entire cooktop surface.
- 6 Use a dry cloth or paper towel to remove all cleaning residue. No need to rinse.

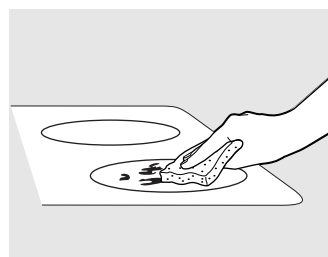
NOTE: It is very important that you **DO NOT** heat the cooktop until it has been cleaned thoroughly.

Burned-On Residue

WARNING: DAMAGE to your glass surface may occur if you use scrub pads other than the pad included with your cooktop.

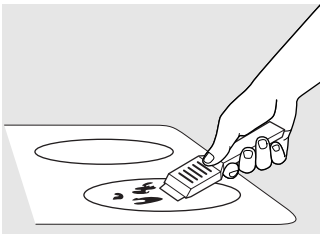
- 1 Allow the cooktop to cool.
- 2 Remove the burner grates, vent grille and vent grille gasket. Spread a few drops of CERAMA BRYTE® Ceramic Cooktop Cleaner to the entire burned residue area.
- 3 Using the included CERAMA BRYTE® Cleaning Pad for Ceramic Cooktops, rub the residue area, applying pressure as needed.

- 4 If any residue remains, repeat the steps listed above as needed.
- 5 For additional protection, after all residue has been removed, polish the entire surface with CERAMA BRYTE® Ceramic Cooktop Cleaner and a paper towel.



Use a CERAMA BRYTE® Cleaning Pad for Ceramic Cooktops or a Scotch-Brite® Multi-Purpose No Scratch blue scrub pad.

Cleaning the glass cooktop.



The CERAMA BRYTE® Ceramic Cooktop Scraper and all recommended supplies are available through our Parts Center. See instructions under "To Order Parts" section below.

NOTE: Do not use a dull or nicked blade.

Heavy, Burned-On Residue

- 1 Allow the cooktop to cool.
- 2 Remove the burner grates, vent grille and vent grille gasket.
- 3 Use a single-edge razor blade scraper at approximately a 45° angle against the glass surface and scrape the soil. It will be necessary to apply pressure to the razor scraper in order to remove the residue.
- 4 After scraping with the razor scraper, spread a few drops of CERAMA BRYTE® Ceramic Cooktop Cleaner to the entire burned residue area. Use the CERAMA BRYTE® Cleaning Pad to remove any remaining residue.
- 5 For additional protection, after all residue has been removed, polish the entire surface with CERAMA BRYTE® Ceramic Cooktop Cleaner and a paper towel.

Metal Marks and Scratches

Be careful not to slide pots and pans across your cooktop. It will leave metal markings on the cooktop surface.

These marks are removable using the CERAMA BRYTE® Ceramic Cooktop Cleaner with the CERAMA BRYTE® Cleaning Pad for Ceramic Cooktops.

WARNING: Carefully check the bottom of pans for roughness that would scratch the cooktop.

Glass surface—potential for permanent damage.

Our testing shows that if you are cooking high sugar mixtures such as jelly or fudge and have a spillover, it can cause permanent damage to the glass surface unless the spillover is immediately removed.

Damage from Sugary Spills and Melted Plastic

- 1 Turn off all surface burners and, with an oven mitt, remove hot pans and grates.
- 2 Wearing an oven mitt:
 - a. Use a single-edge razor blade scraper (CERAMA BRYTE® Ceramic Cooktop Scraper) to move the spill to a cool area on the cooktop.
 - b. Remove the spill with paper towels.
- 3 Any remaining spillover should be left until the surface of the cooktop has cooled.
- 4 Don't use the surface units again until all of the residue has been completely removed.

NOTE: If pitting or indentation in the glass surface has already occurred, the cooktop glass will have to be replaced. In this case, service will be necessary.

To Order Parts

To order CERAMA BRYTE® Ceramic Cooktop Cleaner and the cooktop scraper, please call our toll-free number:

National Parts Center 800.626.2002

**CERAMA BRYTE®
Ceramic Cooktop Cleaner** . . . # WX10X300

**CERAMA BRYTE®
Ceramic Cooktop Scraper** . . . # WX10X0302
Kit # WB64X5027
(Kit includes cream and razor scraper)

**CERAMA BRYTE® Cleaning Pads for
Ceramic Cooktops** # WX10X350

Installation Instructions

Gas Downdraft Cooktop

If you have questions, call 800.GE.CARES (800.432.2737) or visit our Website at: ge.com

IN THE COMMONWEALTH OF MASSACHUSETTS:

- This product must be installed by a licensed plumber or gas fitter.
- When using ball-type gas shut-off valves, they shall be the T-handle type.
- A flexible gas connector, when used, must not exceed 3 feet.

BEFORE YOU BEGIN

Read these instructions completely and carefully.

- **IMPORTANT** – Save these instructions for local inspector's use.
- **IMPORTANT** – Observe all governing codes and ordinances.
- **Note to Installer** – Be sure to leave these instructions with the Consumer.
- **Note to Consumer** – Keep these instructions for future reference.
- Unless very knowledgeable in the installation of this product, engage a professional installer.
- Proper installation is the responsibility of the installer.
- Product failure due to improper installation is not covered under the Warranty.

FOR YOUR SAFETY

If You Smell Gas:

1. Open windows.
2. Don't touch any electrical switches.
3. Extinguish any open flame.
4. Immediately call your gas supplier.

Do not store or use gasoline or other flammable vapors and liquids in the vicinity of this or any other appliance.

⚠ WARNING – Before beginning the installation, switch power off at the service panel and lock the service disconnecting means to prevent power from being switched on accidentally. When the service disconnecting means cannot be locked, securely fasten a prominent warning device, such as a tag, to the service panel.

IMPORTANT SAFETY INSTRUCTIONS

The cooktop has been design certified by CSA International. As with any appliance using gas and generating heat, there are certain safety precautions you should follow. You'll find these precautions in the *Important Safety Information* section in the front of this Owner's Manual. Read them carefully.

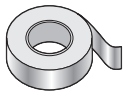
- Be sure your cooktop is installed properly by a qualified installer or service technician.
- The cooktop must be electrically grounded in accordance with local codes, or in their absence, with the National Electrical Code ANSI/NFPA No. 70 – Latest Edition.
- Installation of this cooktop must conform with local codes, or in the absence of local codes, with the National Fuel Gas Code ANSI Z223.1 – Latest Edition.
- Improper installation, adjustment, alteration, service or maintenance can cause injury or property damage. Refer to this manual. For assistance or additional information, consult a qualified installer, service agency, manufacturer (dealer) or the gas supplier.
- Disconnect electrical supply before servicing.
- Never reuse old flexible connectors. The use of old flexible connectors can cause gas leaks and personal injury. Always use **NEW** flexible connectors when installing a gas appliance.
- Make sure the wall coverings around the cooktop can withstand heat generated by the cooktop up to 200°F.
- Avoid placing cabinets above the cooktop.
- If cabinets are placed above the cooktop, allow a minimum clearance of 30" between the cooking surface and the bottom of unprotected cabinets.
- If cabinets are placed above the cooktop, use cabinets no more than 13" deep.
- If a 30" clearance between cooking surface and overhead combustible material or metal cabinets cannot be maintained, protect the underside of the cabinets above the cooktop with not less than 1/4" insulating millboard or gypsum board at least 3/16" thick covered with 28 gauge sheet steel or 0.020" thick copper.
- Clearance between the cooking surface and protected cabinets **MUST NEVER BE LESS THAN 24"**. The vertical distance from the plane of the cooking surface to the bottom of adjacent overhead cabinets extending closer than 1" to the plane of the cooktop sides must not be less than 18".

Installation Instructions

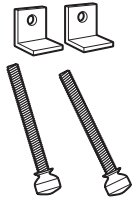
UNPACKING YOUR COOKTOP

PARTS INCLUDED (PACKED BELOW THE COOKTOP)

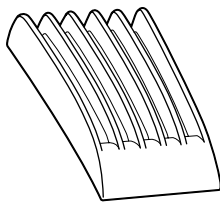
- Blower assembly
- Blower plenum
- (4) Nuts (10-32 keps – nuts with lock washers attached)
- (2) Hold-down retainers and thumb screws
- (9) Sheet metal screws (8-18 x 3/8")
- Foam gasket tape (9-ft. roll)
- Vent grille
- Vent filter
- Vent grille gasket
- Cleaning cream
- Scrub sponge or scraper (on some models)
- Burner grates
- Burner heads (1 small (A), 2 medium (B), 1 large (C))
- Burner caps (1 small, 2 medium, 1 large)
- Gas pressure regulator
- Attached 120-volt grounded plug cord
- LP Conversion
- Reflective tape



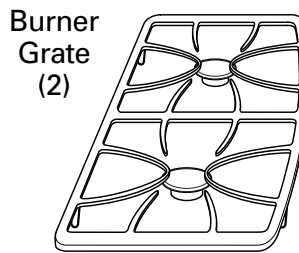
Reflective Tape



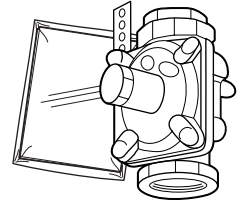
Hold-Down Retainers and Screws



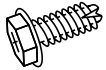
Vent Grille



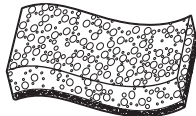
Burner Grate (2)



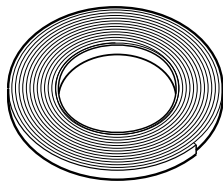
Regulator



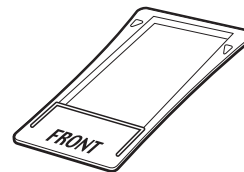
Sheet Metal Screws (9) (8-18 x 3/8")



Scrub Sponge



Foam Gasket Tape



Vent Grille Gasket



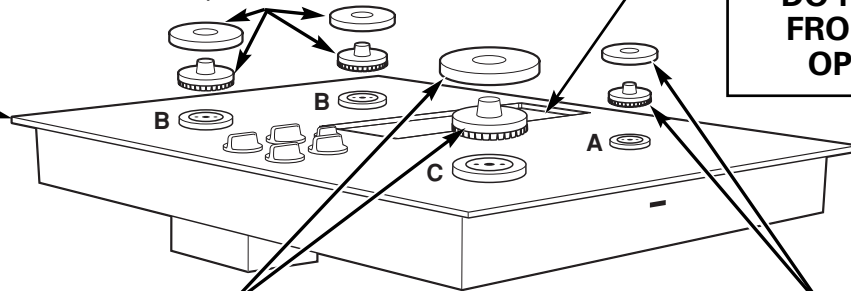
Cleaning Cream



**CAUTION:
DO NOT LIFT
FROM VENT
OPENING**

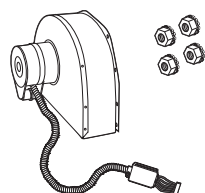
**CAUTION: GLASS IS FRAGILE
DO NOT BUMP EDGE OF GLASS DURING INSTALLATION**

Burner Caps and Burner Heads

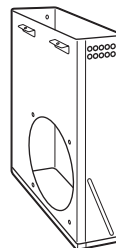


Burner Cap and Burner Head

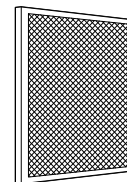
Burner Cap and Burner Head



Blower Assembly and (4) Mounting Nuts (10-32 keps – nuts with lock washers attached)



16 Blower Plenum



Vent Filter

Installation Instructions

PREPARATION

TOOLS AND MATERIALS YOU WILL NEED

- Saw
- Duct tape
- Measuring tape or scale
- Carpenter's square
- Adjustable wrench or socket set (7/16" socket and ratchet)
- Drill and drill bit
- 1/4" nut driver
- Sheet metal screws
- Pipe wrench
- Manual gas line shut-off valve
- Pipe joint sealant that resists action of LP gas
- Ductwork to suit the installation

For rigid connection:

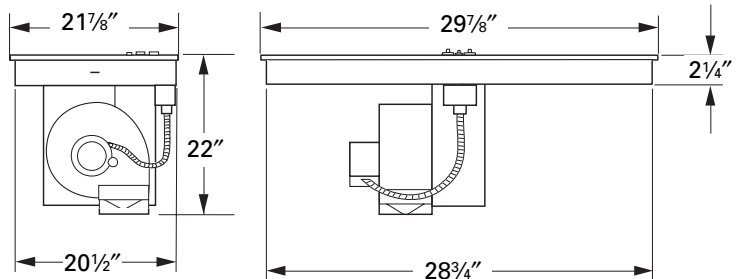
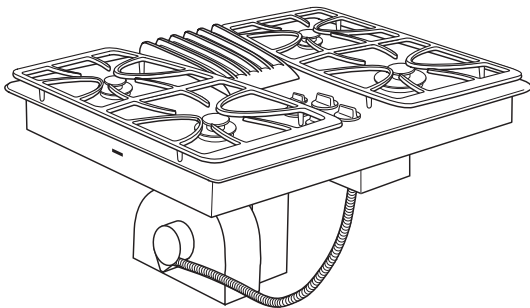
- Shut-off valve
- Union
- Pipe fittings as required

For flexible connection where local codes permit:

- Flexible metal tubing (same 3/4" or 1/2" I.D. as gas supply line)

30" COOKTOP (DIMENSIONS FOR REFERENCE ONLY)

Unit shown fully assembled.



Unit must be vented to the outside!

Installation Instructions

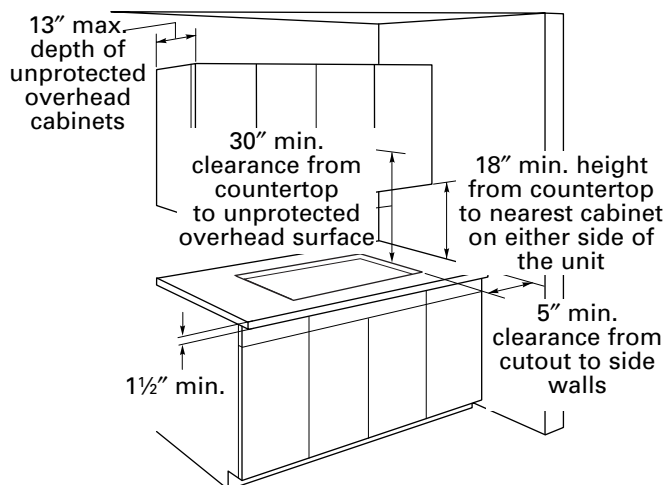
CABINET PREPARATION

1 PREPARING FOR INSTALLATION

Positioning the cooktop

The cooktop is designed to look best when centered in a cabinet at least 30" wide.

The exhaust vent beneath the cooktop must be located between wall studs or floor joists so that the ductwork may be installed properly.



The downdraft system with blower, motor and ductwork will occupy the cabinet below the cooktop. Drawers cannot be installed below this cooktop.

Avoid placing cabinets above the cooktop unit, if possible, in order to reduce the hazards caused by reaching over heated surface units.

If the cabinetry is used above the cooktop, allow a minimum 30" clearance between the cooking surface and the bottom of the unprotected cabinet.

If the clearance between the cooktop and the cabinetry is less than 30", the cabinet bottom must be protected with a flame retardant millboard at least 1/4" thick, or gypsum board at least 3/16" thick, covered with 28 gauge sheet steel or 0.020" thick copper. Clearance between the cooktop and the protected cabinetry **MUST NEVER BE LESS THAN 24"**.

EXCEPTION: Installation of a listed microwave oven or cooking appliance over the cooktop shall conform to the installation instructions packed with that appliance.

Working areas adjacent to the cooktop should have an 18" minimum clearance between the countertop and the bottom of the cabinet. If the clearance is less than 18", the adjacent cabinets should be at least 5" from the side edge of the cooktop.

2 PREPARING THE BASE CABINET

This cooktop is designed to fit easily into a variety of cabinets. However, the combined installation of a downdraft vent and a cooktop require careful consideration.

Some cabinets may require modifications.

This installation requires a 24" min. deep cabinet base. The cabinet must be at least 30" wide.

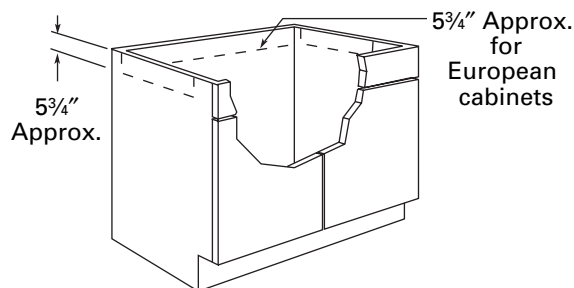
Preparing a cabinet that is against a wall

In some cabinets, the sides may need to be scooped or cut down 5 3/4" as shown, and the corner braces removed in order to accommodate the unit.

In 75 cm and 90 cm frameless European cabinets, the back panel may need to be cut down 5 3/4" to accommodate the unit.

Preparing a peninsula or island-type cabinet

In a peninsula or island type cabinet, the sides may need to be scooped or cut down, and the corner braces removed in order to accommodate the unit.



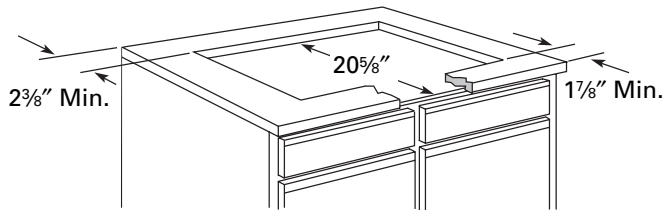
Installation Instructions

CABINET PREPARATION CUTOUTS

3 PREPARING THE COUNTERTOP

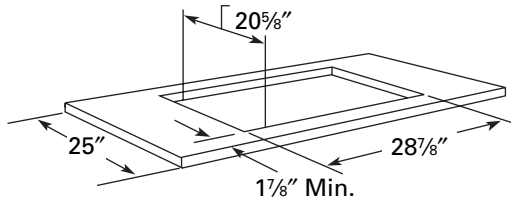
The countertop must have a deep flat surface to accommodate the cooktop and the vent. Countertops with a rolled front edge and backsplash may not provide the flat surface area required.

Clearance between inside front of cabinet and rear of countertop cutout must be $20\frac{5}{8}$ " in order to accommodate cooktop depth.



A $\frac{1}{2}$ " wide flat area is required around the edge of opening for support of the unit. The cooktop unit must be level and sit squarely into countertop opening.

Carefully cut countertop opening according to the dimensions shown in the illustration. Be sure that opening is cut squarely, with sides parallel to each other and rear exactly perpendicular to sides.

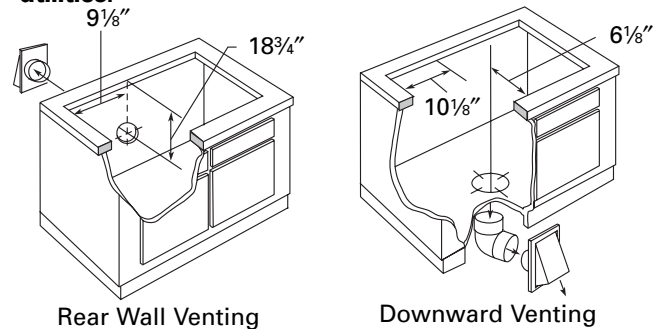


4 PREPARING FOR DUCTWORK

NOTE: Ductwork MUST be vented to outside. DO NOT vent into a wall, ceiling, crawlspace, attic or any concealed space.

Cut hole in cabinet wall or floor as appropriate for your installation. Make sure exhaust duct is located between wall studs or floor joists.

NOTE: When cutting or drilling into wall or ceiling, do not damage electrical wiring and other hidden utilities.

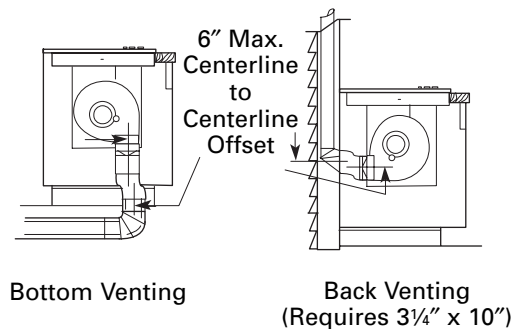


5 BLOWER TO DUCTWORK ALIGNMENT

In general, the use of flexible ducting is discouraged because it can cause severely restricted airflow. However, if the blower outlet and the floor or wall duct location do NOT align well, then flexible METAL ducting can be used to adapt to an offset. Good alignment without use of flexible ducting is best.

NOTE:

- Do not exceed the maximum recommended offset of 6".
- Do not allow the flexible ducting to kink or collapse.
- Do stretch the flexible ducting as much as possible to eliminate as much of the corrugation as possible.

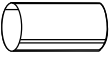



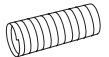
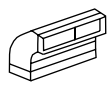
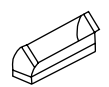
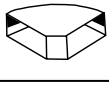
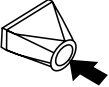


A $3\frac{1}{4}$ " x 10" rectangle to 6" round transition duct is available at your local building supply store.

NOTE: Illustrations are for planning purposes only.

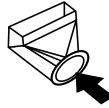
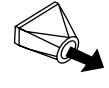

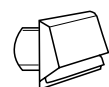
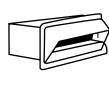


Installation Instructions

DUCTWORK CALCULATIONS

Calculate Total Equivalent Ductwork Length			
Duct Pieces	Equivalent Length* x	Number Used =	Equivalent Length
	6" round straight	1 ft. x () † =	ft.
	3 1/4" x 10" straight	1 ft. x () † =	ft.
	6", 90° elbow	15 ft. x () =	ft.
	6", 45° elbow	9 ft. x () =	ft.
	24" max. flexible metal offset adapter	34 ft. x () =	ft.
	3 1/4" x 10" 90° elbow	16 ft. x () =	ft.
	3 1/4" x 10" 45° elbow	5 ft. x () =	ft.
	3 1/4" x 10" 90° flat elbow	18 ft. x () =	ft.
	6" round to 3 1/4" x 10" transition	7 ft. x () =	ft.
Subtotal Column 1 =			ft.

*Equivalent lengths of duct pieces are based on actual tests and reflect requirements for good venting performance with any downdraft cooktop.
 †Measure and list feet of straight duct used. Count and list the quantity of all other duct pieces for the "Number Used" of each type.

IMPORTANT:
 For maximum efficiency, use the shortest and straightest duct run possible, with as few fittings as possible. **For satisfactory performance, the duct run should not exceed 100 feet equivalent length.**
 Venting performance is improved by using larger diameter duct.

Duct Pieces	Equivalent Length* x	Number Used =	Equivalent Length
	6" round to 3 1/4" x 10" transition 90° elbow	20 ft. x () =	ft.
	3 1/4" x 10" to 6" round transition	5 ft. x () =	ft.
	3 1/4" x 10" to 6" round transition 90° elbow	12 ft. x () =	ft.
	6" round wall cap with damper	21 ft. x () =	ft.
	3 1/4" x 10" wall cap with damper	27 ft. x () =	ft.
	6" round roof cap	20 ft. x () =	ft.
	6" round roof vent	24 ft. x () =	ft.
Subtotal Column 2 =			ft.
Subtotal Column 1 =			ft.
TOTAL DUCTWORK =			ft.
<i>Should not exceed 100 feet.</i>			
DO NOT use flexible plastic ducting.			
Vent installation should not exceed 100 feet equivalent length.			

Installation Instructions

EXHAUST BLOWER RATINGS

EXHAUST BLOWER SAFETY WARNING

Sufficient air is needed for proper combustion and exhausting of gases through the flue (chimney) of other fuel burning equipment to prevent back drafting. Follow the heating equipment manufacturer's guidelines and safety standards such as those published by the National Fire Protection Association (NFPA), the American Society for Heating, Refrigeration and Air Conditioning Engineers (ASHRAE) and local code authorities.

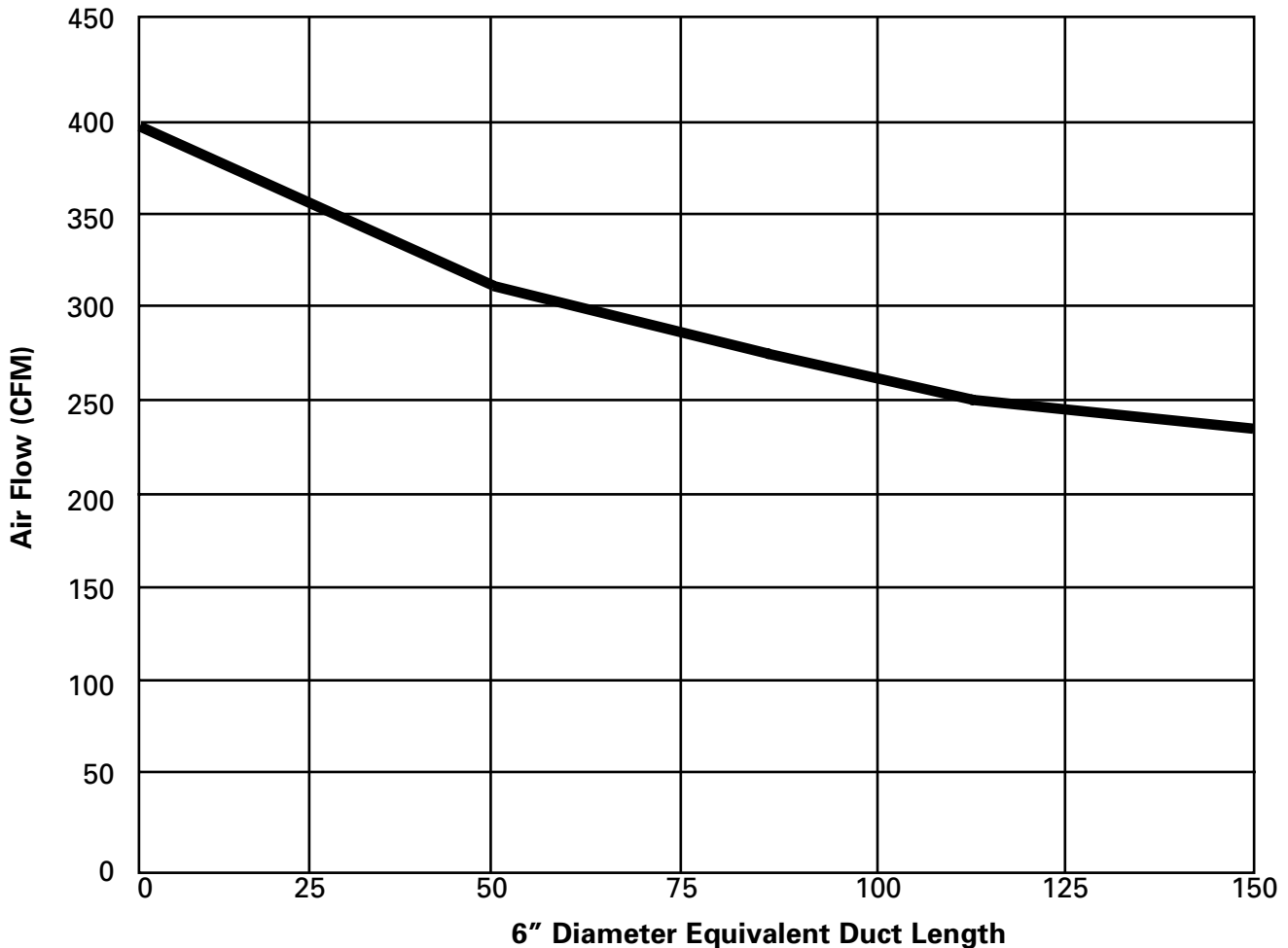
NOTE: The exhaust blower output is approximately 400 CFM (cubic feet per minute) without ductwork. Each installation is different and ductwork affects blower output accordingly. Actual blower exhaust CFM can be approximated using the graph below.

Step 1: Calculate the "equivalent duct length" using the "DUCTWORK CALCULATIONS" table in these instructions for your installation.

Step 2: Find the approximate intersection point of the blower exhaust performance curve with the equivalent duct length to estimate the actual maximum blower output for your installation.

Examples: 50 equivalent feet of ductwork has approximately 320 CFM.
100 equivalent feet of ductwork has approximately 265 CFM.

Downdraft Cooktop Exhaust Blower CFM



Installation Instructions

DUCTWORK INSTALLATION

(Note: For planning purposes only.)

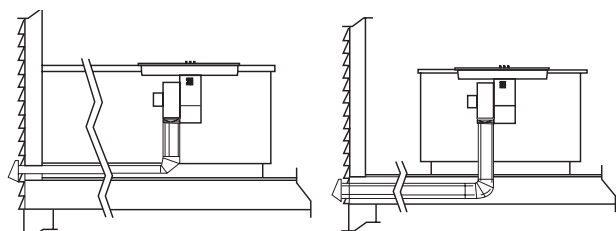
6 INSTALLING THE DUCTWORK

Use galvanized or aluminum duct in 6" round or 3 $\frac{1}{4}$ " x 10" size, or a combination of both.

PVC duct should be used if installing under a poured concrete slab.

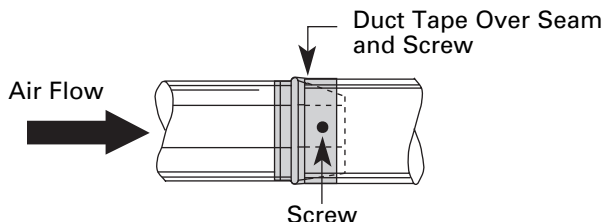
NOTE: Local building code must be followed in specifying approved type and schedule of ALL duct used.

Always use an appropriate roof or wall cap with damper. Laundry-type wall caps should NEVER be used.



Downward Venting

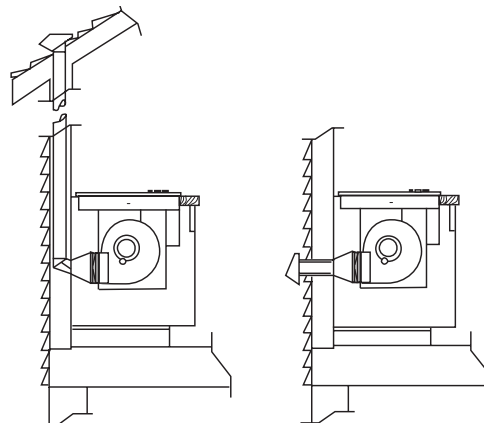
Install ductwork, making male-female connections in the direction of airflow as shown. Secure all joints with sheet metal screws and duct tape to assure an airtight seal.



Use the shortest and straightest duct run possible. For satisfactory performance the duct run should not exceed 100 feet equivalent length. Refer to TABLE 1 of equivalent lengths. Use TABLE 1 to calculate the total equivalent length of the ductwork.

OPTIONAL INSTALLATION: REAR WALL VENTING

5" round duct may be used on SHORT DUCT runs of 3 feet or less, such as direct to outside wall venting.



Rear Wall Venting

To convert blower exhaust direction, remove four nuts behind the filter which hold blower and wire finger guard.

Rotate blower and reinstall to vent chamber, as shown above. Retighten nuts, but do not overtighten.

Installation Instructions

POWER SUPPLY LOCATIONS

GAS SUPPLY:

These cooktops are designed to operate on natural gas at 4" of water column pressure or on LP gas at 10" of water column pressure.

- These cooktops are shipped from the factory set for natural gas. If you decide to use this cooktop with LP gas, conversion adjustments must be made by a service technician or other qualified person.
- The pressure regulator must be connected in series with the manifold of the cooktop and must remain in series with the supply line regardless of type of gas being used.

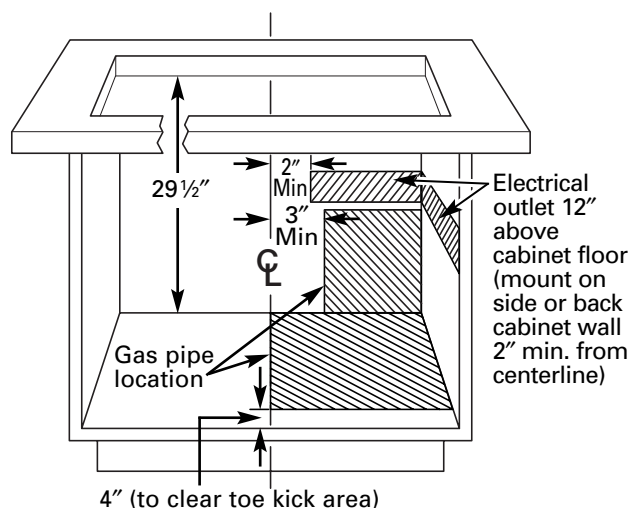
For proper operation, the maximum inlet pressure to the regulator must be no more than 10" water column pressure for natural gas and 14" water column pressure for LP gas.

- When checking the regulator, the inlet pressure must be at least 1" greater than the regulator output setting. If the regulator is set for 4" of water column pressure, the inlet pressure must be at least 5". If the regulator is set for 10" of water column pressure, the inlet pressure must be at least 11". For ease of installation, and if local codes permit, the gas supply line into the cooktop should be 1/2" or 3/4" ID flexible metal appliance connector, three to five feet long.

NOTE: Purchase a new flexible line. **DO NOT USE AN OLD PREVIOUSLY USED LINE.**

- Make gas connection through rear wall, or on cabinet floor at rear, as illustrated.

ELECTRICAL SUPPLY:



The built-in gas downdraft cooktop features pilotless electric ignition for energy savings and reliability. It operates on a 120-volt, 60-Hz power supply. A separate circuit, protected by a 15-amp time-delay fuse or circuit breaker, is required.

- A properly grounded 3-prong receptacle should be located within reach of cooktop's four foot power cord.

IMPORTANT: (Please read carefully.) FOR PERSONAL SAFETY, THIS APPLIANCE MUST BE PROPERLY GROUNDED.

The power cord of this appliance is equipped with a three-prong (grounding) plug which mates with a standard three-prong grounding wall receptacle to minimize the possibility of electric shock hazard from this appliance. The customer should have the wall receptacle and circuit checked by a qualified electrician to make sure the receptacle is properly grounded and has correct polarity.

Where a standard two-prong wall receptacle is encountered, it is the personal responsibility and obligation of the customer to have it replaced with a properly grounded three-prong wall receptacle.

Do Not, Under Any Circumstances, Cut Or Remove The Third (ground) Prong From The Power Cord.

Do not use an extension cord.

Installation Instructions

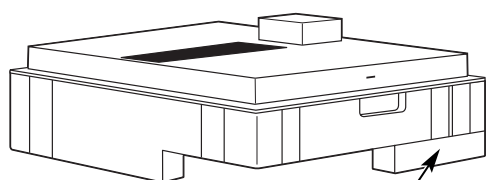
UNPACKING THE COOKTOP/INSTALLING THE GASKET

7 INSTALLING THE FOAM GASKET AND REFLECTIVE TAPE

⚠ CAUTION: Potential risk of fire – reflective tape must be secured around countertop opening as shown.

Do not install the cooktop into the countertop without installing the foam gasket as shown. It protects the bottom edge of the glass from the countertop and seals the cooktop against spills.

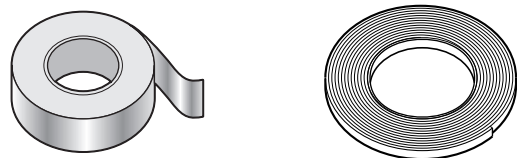
Remove the cooktop along with its shipping pad from the shipping box. Remove the shipping block from the downdraft vent opening and place it under the shipping pad to provide level support.



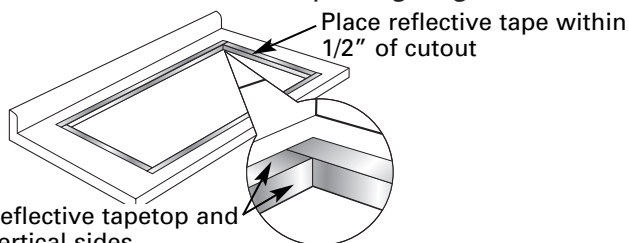
Center vent shipping block – place under the shipping pad to provide level support

⚠ CAUTION: GLASS IS FRAGILE. DO NOT BUMP EDGE OF GLASS DURING INSTALLATION.

Locate the reflective tape and foam gasket tape included with your cooktop.



Smooth rough edges of the cutout. Install reflective tape to the opening, along the inside and 3/8" to 1/2" of the opening edge.



Reflective tapetop and vertical sides

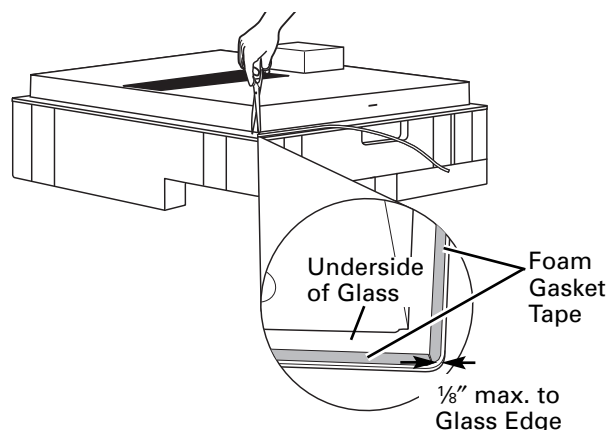
Peel off the white backing to install the foam gasket tape on the bottom side of the cooktop glass as shown.

Foam Gasket Installation Notes:

- The foam gasket tape should be installed within 1/8" of the edge of the glass. Do not stretch or twist the foam gasket tape.

⚠ CAUTION: Failure to install foam gasket tape greatly increases the potential of breaking the cooktop glass when installing, especially in Corian® or granite countertops.

- Use care not to stretch the foam gasket tape while it is installed or it will not stay in place.
- Do not place foam gasket tape over the metal flanges.
- Butt the foam gasket tape ends together at each corner without overlapping.
- Trim the foam gasket tape to length without stretching.
- Mitre cut outside corners of foam gasket tape slightly if necessary for appearance.

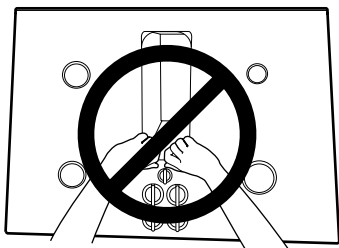


- Do not scratch the glass while cutting the foam gasket tape.

Installation Instructions

INSTALLING THE COOKTOP

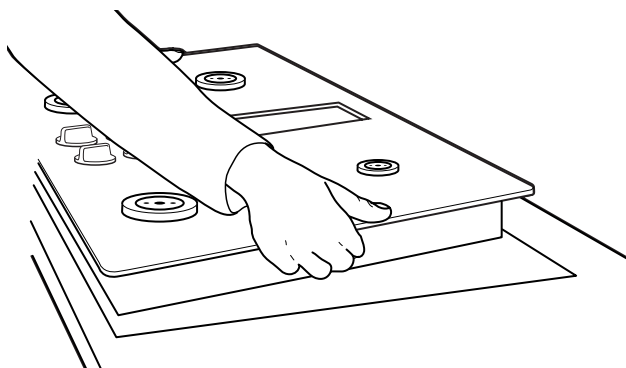
8 INSTALLING THE COOKTOP



CAUTION:
DO NOT LIFT
FROM
VENT OPENING.

Lift the cooktop by the glass side edges as shown.

NOTE: Do not use the glass top vent opening to lift or move the cooktop into position.



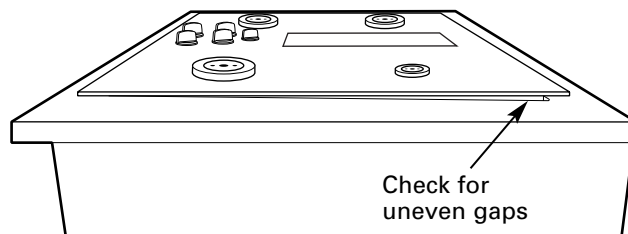
Lower the cooktop into the countertop opening, guiding it into position. Glass is fragile—do not allow it to drop onto the countertop. Support from the underside and lower slowly.

Carefully remove your fingers one corner at a time to lower the cooktop into position.

NOTE: Do not use Silicone RTV or caulk to bond cooktop glass to countertop.

9 CHECKING FOR FLATNESS

Inspect the cooktop glass for rocking or uneven gap on all four sides at the countertop surface. Do not attempt to force the glass to meet the countertop.

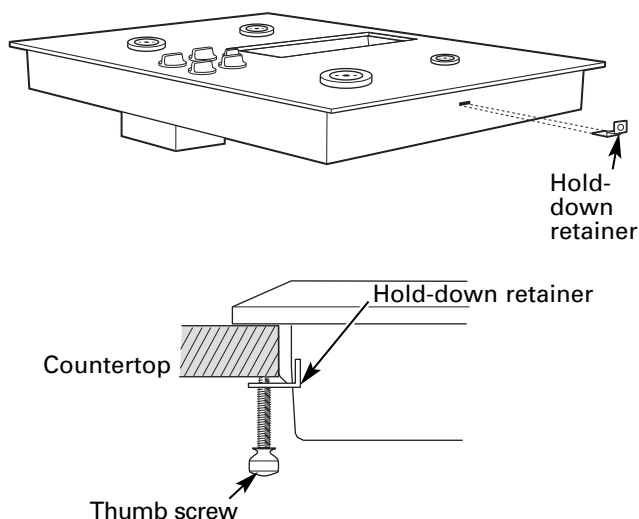


Installation Instructions

INSTALLING THE COOKTOP

10 INSTALLING THE HOLD-DOWN RETAINERS

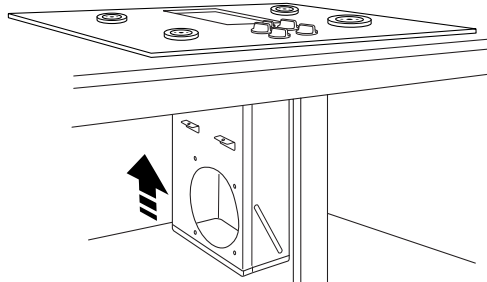
NOTE: Check for glass flatness in Step 9 before installing hold-down retainers.



Secure cooktop to the counter using the hold-down retainers and thumb screws shipped with the unit (one on each side).

11 INSTALLING THE BLOWER PLENUM TO THE COOKTOP

Slide the plenum, with the blower opening on the left, into the opening in the bottom of the cooktop. Push up on the plenum until the stops on the plenum contact the bottom of the cooktop, and snap the plenum into place. (You may have to move the plenum back and forth to work it into place.)

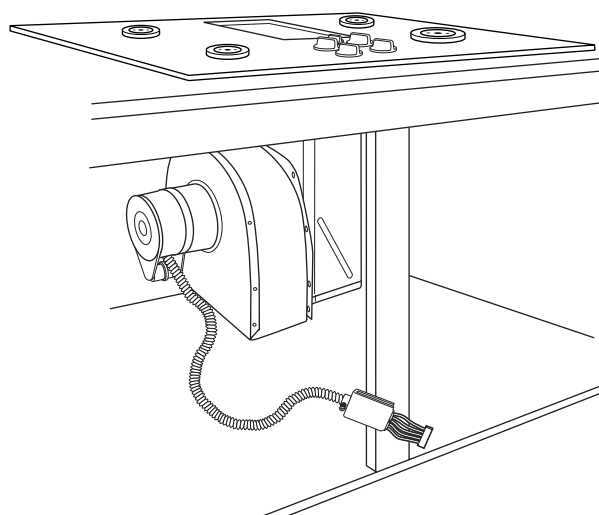


Secure the plenum to the bottom of the cooktop, on each side, using the four (4) screws provided. Further secure the plenum to the cooktop, from the top side, using the two screws (2) provided.

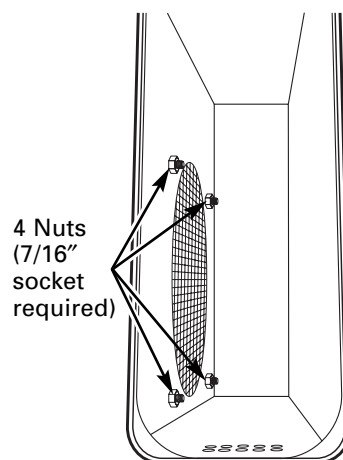
12 INSTALLING THE BLOWER TO THE PLENUM

Orient the blower discharge opening to match the ductwork in Steps 5 and 6. Slide the four threaded studs on the side of the blower housing into the four holes on the side of the plenum.

NOTE: See Step 13 for installing the transition duct to the blower. It may be easier to install the transition duct to the blower before installing the blower to the plenum.



From the vent opening in the top of the cooktop, fasten the blower assembly securely to the plenum with four (4) nuts.

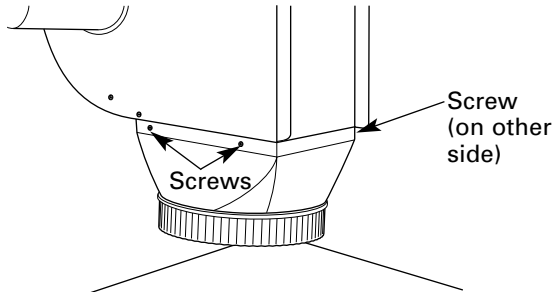


Installation Instructions

INSTALLING THE COOKTOP

13 ATTACHING A BLOWER TRANSITION DUCT

Use a blower transition duct for all downward duct installations to connect to 6" round standard ductwork. This 3¼" x 10" rectangle to 6" round transition duct is available at your local building supply store.



Install the transition duct to the blower outlet. Secure all joints with duct tape to assure an airtight seal.

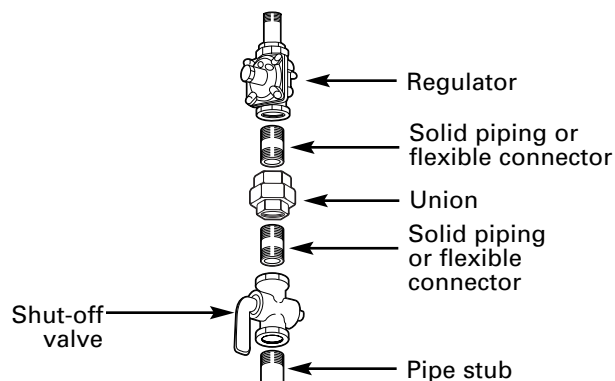
14 CONNECTING THE DUCTWORK

Connect the ductwork prepared in Steps 5 and 6 to the blower transition duct.

Installation Instructions

INSTALLING THE COOKTOP

15 INSTALL THE PRESSURE REGULATOR



- Install the supplied pressure regulator in the gas line as close to the cooktop inlet as possible. Allowances for ventilation ducting may be necessary. Make sure the regulator is installed in the right direction.
- Install a manual shut-off valve in the gas line in an easily accessible location.

NOTE: Instead of using solid piping to connect to pressure regulator, an approved flexible metal appliance connector may be used between the shut-off valve and the pressure regulator, if local codes permit.

Appropriate flare nuts and adapters are required at each end of the flexible connector.

TEST FOR LEAKS

WARNING: DO NOT USE A FLAME TO CHECK FOR GAS LEAKS! Do not use the cooktop until all connections have been leak tested.

Perform leak test per the following instructions:

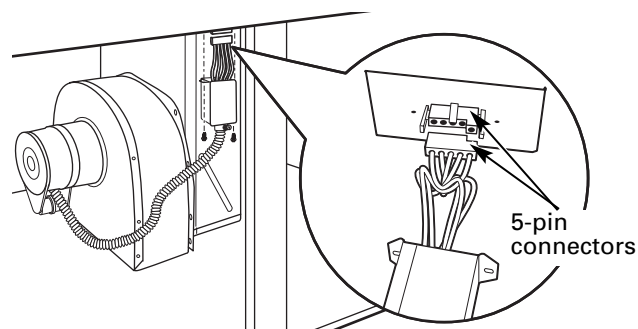
1. Purchase a liquid leak detector or prepare a soap solution of one part water, one part liquid detergent.
2. When all connections have been made, make sure all cooktop controls are turned to **OFF** and turn the gas supply valve to **ON**.
3. Apply the liquid leak detector or the soap solution around all connections from the shut-off valve to the cooktop.
4. A leak is identified by a flow of bubbles from the area of the leak.
5. If a leak is detected, turn the gas supply **off**. Tighten the fitting. Turn the gas on and test again. If the leak persists, turn the gas supply **off** and contact your dealer for assistance. Do not attempt to operate the cooktop if a leak is present.

15 INSTALL THE PRESSURE REGULATOR (cont.)

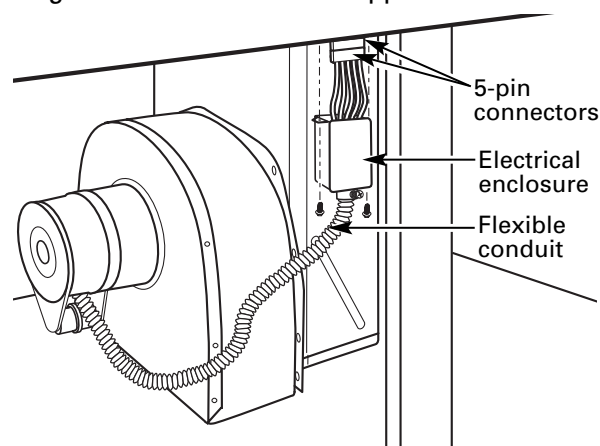
IMPORTANT: Disconnect the cooktop and the individual shut-off valve from the gas supply piping system during any pressure testing of that system at test pressures greater than 1/2 psig. Isolate the cooktop from the gas supply piping system by closing the individual manual shut-off valve to the cooktop during any pressure testing of the gas supply piping system at test pressures equal to or less than 1/2 psig.

16 BLOWER ELECTRICAL CONNECTIONS

- Loosen the two screws and remove and discard the sheet metal connector cover on the cooktop bottom. Save the screws for reinstallation later.
- Connect the 5-pin plug on the blower assembly to the matching 5-pin receptacle on the bottom of the cooktop.



- Fold all wires into the electrical enclosure. Secure the enclosure with the screws removed earlier, making sure that no wires are trapped.



- Plug the cooktop cord set into a suitable electrical outlet. See step 17.

Installation Instructions

ELECTRICAL CONNECTIONS

17 ELECTRICAL REQUIREMENTS

120-volt, 60-Hertz, properly grounded branch circuit protected by a 15-amp or 20-amp circuit breaker or time-delay fuse.

EXTENSION CORD CAUTIONS

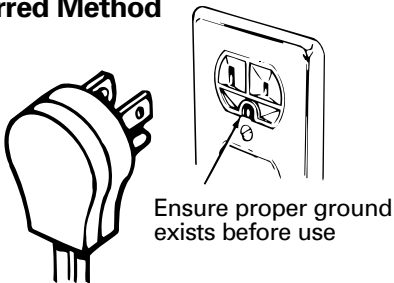
Because of potential safety hazards associated with certain conditions, we strongly recommend against the use of an extension cord. However, if you still elect to use an extension cord, it is absolutely necessary that it be a UL-listed, 3-wire grounding-type appliance extension cord and that the current carrying rating of the cord in amperes be equivalent to, or greater than, the branch circuit rating.

GROUNDING

IMPORTANT — (Please read carefully.)

FOR PERSONAL SAFETY, THIS APPLIANCE MUST BE PROPERLY GROUNDED.

Preferred Method



The power cord of this appliance is equipped with a three-prong (grounding) plug which mates with a standard three-prong grounding wall receptacle to minimize the possibility of electric shock hazard from this appliance.

The customer should have the wall receptacle and circuit checked by a qualified electrician to make sure the receptacle is properly grounded.

Where a standard two-prong wall receptacle is encountered, it is the personal responsibility and obligation of the customer to have it replaced with a properly grounded three-prong wall receptacle.

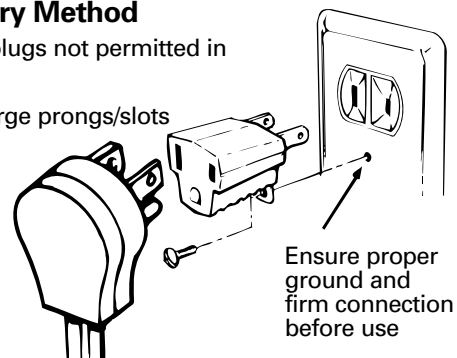
DO NOT, UNDER ANY CIRCUMSTANCES, CUT OR REMOVE THE THIRD (GROUND) PRONG FROM THE POWER CORD.

An adapter may be used only on a 15-amp circuit. Do not use an adapter on a 20-amp circuit. Where local codes permit, a **TEMPORARY CONNECTION** may be made to a properly grounded two-prong wall receptacle by the use of a UL-listed adapter, available at most hardware stores. The larger slot in the adapter must be aligned with the larger slot in the wall receptacle to provide proper polarity in the connection of the power cord.

Temporary Method

(Adapter plugs not permitted in Canada)

Align large prongs/slots



CAUTION: Attaching the adapter ground terminal to the wall receptacle cover screw does not ground the appliance unless the cover screw is metal, not insulated, and the wall receptacle is grounded through the house wiring. The customer should have the circuit checked by a qualified electrician to make sure the receptacle is properly grounded.

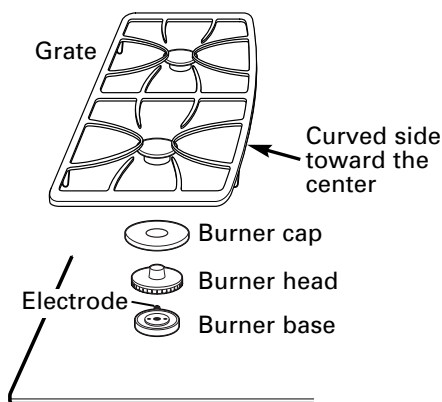
When disconnecting the power cord from the adapter, always hold the adapter with one hand. If this is not done, the adapter ground terminal is very likely to break with repeated use. Should this happen, **DO NOT USE** the appliance until a proper ground has again been established.

Installation Instructions

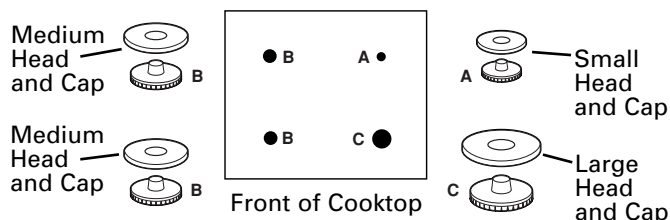
FINAL ASSEMBLY

18 ASSEMBLE BURNERS, CHECK IGNITION

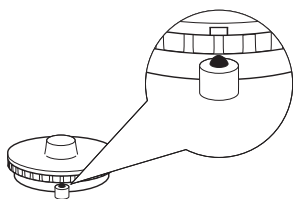
Assemble burner as shown.



CAUTION: Do not operate the burner without all burner parts in place.



Place the burner heads on the burner bases matching the letters. Place the caps on the heads. Make sure that the heads and caps are placed on the correct size burner. The burner heads and burner bases are labeled A, B and C to aid reassembly. There is one small (A), two medium (B) and one large (C) head and cap.



Make sure the notch in the burner head is positioned toward the electrode. Rotate the burner head around the burner base until it is level and securely seated.

Place the grates over the burners.

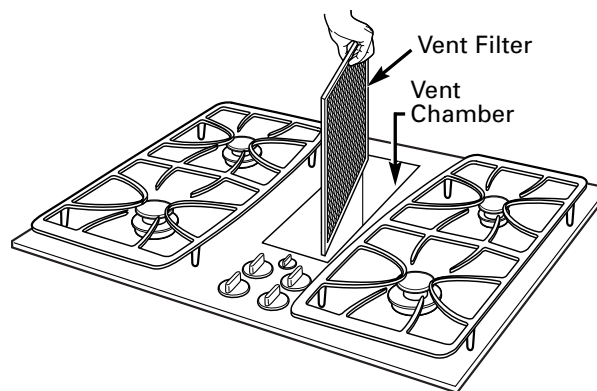
Check for proper ignition:

- Push in one control knob and turn to **LITE** position.
- The igniter will spark and the burner will light; the igniter will cease sparking when the burner is lit.
- First test may require some time, while air is flushed out of the gas line.
- Turn knob to **OFF**.
- Repeat the procedure for each burner.

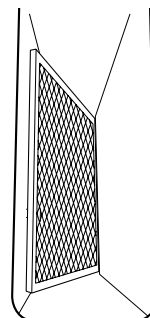
19 INSTALL DOWNDRAFT FILTER, VENT GASKET AND VENT GRILLE

Do not operate the vent without the filter in place.

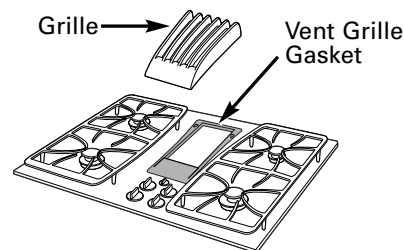
- Place the filter diagonally through the vent opening.



- Make sure it rests, at an angle, on the supports in the vent opening.



- Fit the vent grille gasket around the edge of the downdraft vent opening. Make sure the front of the gasket is installed toward the front of the cooktop.
- Carefully place the vent grille onto the gasket on the downdraft opening.



CHECK OPERATION OF DOWNDRAFT




- Turn the vent fan speed control to **HI**, **MED** and **LO** to make sure all speeds operate correctly.

Before you call for service...

ge.com



Troubleshooting Tips
Save time and money! Review the chart on this page first and you may not need to call for service.

Problem	Possible Causes	What To Do
Water won't boil		<ul style="list-style-type: none"> Cover pan with a lid. Turn the downdraft fan OFF until the water begins to boil.
Burners have yellow or yellow-tipped flames	The combustion quality of burner flames needs to be determined visually.	<ul style="list-style-type: none"> Use the illustrations below to determine if your burner flames are normal. If burner flames look like A, call for service. Normal burner flames should look like B or C, depending on the type of gas you use. With LP gas, some yellow tipping on outer cones is normal. <div style="display: flex; justify-content: space-around; align-items: flex-end;"> <div style="text-align: center;">  <p>A–Yellow flames Call for service</p> </div> <div style="text-align: center;">  <p>B–Yellow tips on outer cones Normal for LP gas</p> </div> <div style="text-align: center;">  <p>C–Soft blue flames Normal for natural gas</p> </div> </div>
	Burner parts not replaced correctly.	<ul style="list-style-type: none"> See <i>Care and cleaning of the cooktop</i> section.
Burners do not light	<p>Plug on cooktop is not completely inserted in the electrical outlet.</p> <p>Gas supply not connected or turned on.</p> <p>A fuse in your home may be blown or the circuit breaker tripped.</p> <p>Igniter orifice in burner body may be clogged.</p> <p>Burner parts not replaced correctly.</p> <p>Hole in burner top behind the igniter may be clogged.</p>	<ul style="list-style-type: none"> Make sure electrical plug is plugged into a live, properly grounded outlet. See the <i>Installation Instructions</i> section. Replace the fuse or reset the circuit breaker. Remove the obstruction. See Burner Caps and Heads in the <i>Care and cleaning of the cooktop</i> section. Use a small sewing needle to unplug.
Sparking sound persists after burner is turned off	Be sure the knob is in the OFF position.	<ul style="list-style-type: none"> Remove knob by pulling it straight off the stem and check the bottom of the knob for any buildup of soil.
Occasional sparking sound	Changing blower speed.	<ul style="list-style-type: none"> This is a typical electrical switching noise. This is normal.
Burner flames very large or yellow	<p>Improper air to gas ratio.</p> <p>Burner parts not replaced correctly.</p>	<ul style="list-style-type: none"> If cooktop is connected to LP gas, contact the person who installed your cooktop or made the conversion. See <i>Care and cleaning of the cooktop</i> section.

Safety Instructions

Operating Instructions

Care and Cleaning

Troubleshooting Tips

Consumer Support

Before you call for service...



Troubleshooting Tips

Problem	Possible Causes	What To Do
Control knobs will not turn	Controls improperly set.	<ul style="list-style-type: none"> To turn from the OFF position, push the knob in and then turn. The knob can only be turned in a counterclockwise direction. When the knob is at any other position, it can be turned in either direction without being pushed in.
Fan does not work	The fan control knob is improperly set.	<ul style="list-style-type: none"> Turn knob in clockwise direction to turn fan on.
	Cord improperly connected or power turned off.	<ul style="list-style-type: none"> Check connections. Turn on power at the fuse box.
Poor venting	Clogged filter.	<ul style="list-style-type: none"> Clean filter per instructions.
	House too airtight.	<ul style="list-style-type: none"> Open a window slightly to provide fresh air source.
	Wall cap obstructed.	<ul style="list-style-type: none"> Remove blockage from exterior wall cap.
	Wall cap damper door stuck.	<ul style="list-style-type: none"> Check exterior wall cap damper door for free movement or obstruction.
Scratches (may appear as cracks) on cooktop glass surface	Duct length exceeds recommended 100 equivalent foot maximum.	<ul style="list-style-type: none"> Reduce number of elbows to simplify duct run.
	Incorrect cleaning methods being used.	<ul style="list-style-type: none"> Scratches are not removable. Tiny scratches will become less visible in time as a result of cleaning.
	Cookware with rough bottoms being used or coarse particles (salt or sand) were between the cookware and the surface of the cooktop.	<ul style="list-style-type: none"> To avoid scratches, use the recommended cleaning procedures. Make sure bottoms of cookware are clean before use, and use cookware with smooth bottoms.
Areas of discoloration on the cooktop	Cookware has been slid across the cooktop surface.	
	Food spillovers not cleaned before next use.	<ul style="list-style-type: none"> See the <i>Cleaning the glass cooktop</i> section.
Plastic melted to the surface	Hot surface on a model with a light colored cooktop.	<ul style="list-style-type: none"> This is normal. The surface may appear discolored when it is hot. This is temporary and will disappear as the glass cools.
	Hot cooktop came into contact with plastic placed on the hot cooktop.	<ul style="list-style-type: none"> See the <i>Glass surface—potential for permanent damage</i> section in the <i>Cleaning the glass cooktop</i> section.
Pitting (or indentation) of the cooktop	Hot sugar mixture spilled on the cooktop.	<ul style="list-style-type: none"> Call a qualified technician for replacement.

GE Service Protection Plus™

GE, a name recognized worldwide for quality and dependability, offers you Service Protection Plus™—comprehensive protection on all your appliances—**No Matter What Brand!**

Benefits Include:

- Backed by GE
- All brands covered
- Unlimited service calls
- All parts and labor costs included
- No out-of-pocket expenses
- No hidden deductibles
- One 800 number to call

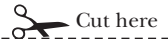
***We'll Cover Any Appliance.
Anywhere. Anytime.****

You will be completely satisfied with our service protection or you may request your money back on the remaining value of your contract. No questions asked. It's that simple.

Protect your refrigerator, dishwasher, washer and dryer, range, TV, VCR and much more—**any brand!** Plus there's no extra charge for emergency service and low monthly financing is available. Even icemaker coverage and food spoilage protection is offered. You can rest easy, knowing that all your valuable household products are protected against expensive repairs.

Place your confidence in GE and call us in the U.S. toll-free at **800.626.2224** for more information.

*All brands covered, up to 20 years old, in the continental U.S.



Please place in envelope and mail to:

General Electric Company
Warranty Registration Department
P.O. Box 32150
Louisville, KY 40232-2150

Consumer Product Ownership Registration

Dear Customer:

Thank you for purchasing our product and thank you for placing your confidence in us.

We are proud to have you as a customer!

Follow these three steps to protect your new appliance investment:

1

Complete and mail your Consumer Product Ownership Registration today. Have the peace of mind of knowing we can contact you in the unlikely event of a safety modification.

2

After mailing the registration below, store this document in a safe place. It contains information you will need should you require service. Our service number is 800.GE.CARES (800.432.2737).

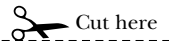
3

Read your Owner's Manual carefully. It will help you operate your new appliance properly.

Model Number

Serial Number

Important: If you did not get a registration card with your product, detach and return the form below to ensure that your product is registered, or register online at ge.com.



Consumer Product Ownership Registration



Model Number

Serial Number

Mr. Ms. Mrs. Miss

First Name

Last Name

Street Address

Apt. #

E-mail Address*

City

State

Zip Code

Date Placed In Use Month

Day

Year

Phone Number - -



GE Consumer & Industrial
Appliances
General Electric Company
Louisville, KY 40225
ge.com

* Please provide your e-mail address to receive, via e-mail, discounts, special offers and other important communications from GE Appliances (GEA).

Check here if you do not want to receive communications from GEA's carefully selected partners.

FAILURE TO COMPLETE AND RETURN THIS CARD DOES NOT DIMINISH YOUR WARRANTY RIGHTS.

For information about GEA's privacy and data usage policy, go to ge.com and click on "Privacy Policy" or call 800.626.2224.

GE Gas Cooktop Warranty.



All warranty service provided by our Factory Service Centers, or an authorized Customer Care® technician. To schedule service, on-line, 24 hours a day, visit us at ge.com, or call 800.GE.CARES (800.432.2737). Please have serial number and model number available when calling for service.

Staple your receipt here. Proof of the original purchase date is needed to obtain service under the warranty.

For The Period Of:	GE Will Replace:
One Year From the date of the original purchase	Any part of the cooktop which fails due to a defect in materials or workmanship. During this limited one-year warranty , GE will also provide, free of charge , all labor and in-home service to replace the defective part.
Five Years From the date of the original purchase	A replacement glass cooktop if it should crack or discolor. During this limited additional four-year warranty , you will be responsible for any labor or in-home service to replace the defective part.

What GE Will Not Cover:

- Service trips to your home to teach you how to use the product.
- Improper installation, delivery or maintenance.
- Failure of the product if it is abused, misused, or used for other than the intended purpose or used commercially.
- Damage to the glass cooktop caused by the use of cleaners other than the recommended cleaning creams and pads.
- Damage to the glass cooktop caused by hardened spills of sugary materials or melted plastic that are not cleaned according to the directions in the Owner's Manual.
- Replacement of house fuses or resetting of circuit breakers.
- Damage to the product caused by accident, fire, floods or acts of God.
- Incidental or consequential damage caused by possible defects with this appliance.
- Damage caused after delivery.
- Product not accessible to provide required service.

EXCLUSION OF IMPLIED WARRANTIES—Your sole and exclusive remedy is product repair as provided in this Limited Warranty. Any implied warranties, including the implied warranties of merchantability or fitness for a particular purpose, are limited to one year or the shortest period allowed by law.

This warranty is extended to the original purchaser and any succeeding owner for products purchased for home use within the USA. If the product is located in an area where service by a GE Authorized Servicer is not available, you may be responsible for a trip charge or you may be required to bring the product to an Authorized GE Service Location for service. In Alaska, the warranty excludes the cost of shipping or service calls to your home.

Some states do not allow the exclusion or limitation of incidental or consequential damages. This warranty gives you specific legal rights, and you may also have other rights which vary from state to state. To know what your legal rights are, consult your local or state consumer affairs office or your state's Attorney General.

Safety Instructions

Operating Instructions

Care and Cleaning

Troubleshooting Tips

Consumer Support

Consumer Support.



GE Appliances Website

ge.com

Have a question or need assistance with your appliance? Try the GE Appliances Website 24 hours a day, any day of the year! For greater convenience and faster service, you can now download Owner's Manuals, order parts or even schedule service on-line.



Schedule Service

ge.com

Expert GE repair service is only one step away from your door. Get on-line and schedule your service at your convenience 24 hours any day of the year! Or call 800.GE.CARES (800.432.2737) during normal business hours.



Real Life Design Studio

ge.com

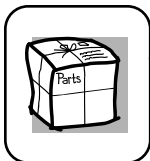
GE supports the Universal Design concept—products, services and environments that can be used by people of all ages, sizes and capabilities. We recognize the need to design for a wide range of physical and mental abilities and impairments. For details of GE's Universal Design applications, including kitchen design ideas for people with disabilities, check out our Website today. For the hearing impaired, please call 800.TDD.GEAC (800.833.4322).



Extended Warranties

ge.com

Purchase a GE extended warranty and learn about special discounts that are available while your warranty is still in effect. You can purchase it on-line anytime, or call 800.626.2224 during normal business hours. GE Consumer Home Services will still be there after your warranty expires.



Parts and Accessories

ge.com

Individuals qualified to service their own appliances can have parts or accessories sent directly to their homes (VISA, MasterCard and Discover cards are accepted). Order on-line today, 24 hours every day or by phone at 800.626.2002 during normal business hours.

Instructions contained in this manual cover procedures to be performed by any user. Other servicing generally should be referred to qualified service personnel. Caution must be exercised, since improper servicing may cause unsafe operation.



Contact Us

ge.com

If you are not satisfied with the service you receive from GE, contact us on our Website with all the details including your phone number, or write to: General Manager, Customer Relations
GE Appliances, Appliance Park
Louisville, KY 40225



Register Your Appliance

ge.com

Register your new appliance on-line—at your convenience! Timely product registration will allow for enhanced communication and prompt service under the terms of your warranty, should the need arise. You may also mail in the pre-printed registration card included in the packing material.

Apoyo al consumidor

Página Web de GE Appliances

ge.com

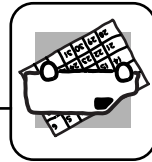
¿Tiene alguna pregunta sobre su electrodoméstico? ¡Pruebe la página Web de GE Appliances 24 horas al día, cualquier día del año! Para mayor conveniencia y servicio más rápido, ya puede descargar los Manuales de los Proprietarios, pedir piezas o incluso hacer una cita en línea para que vengan a realizar una reparación.



Solicite una reparación

ge.com

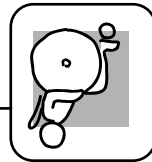
El servicio de expertos GE está a tan sólo un paso de su puerta. ¡Entre en línea y solicite su reparación cuando le venga bien 24 horas al día cualquier día del año! O llame al 800.GE.CARES (800.432.2737) durante horas normales de oficina.



Real Life Design Studio (Estudio de diseño para la vida real)

ge.com

GE apoya el concepto de Diseño Universal—productos, servicios y ambientes que pueden usar gente de todas las edades, tamaños y capacidades. Reconocemos la necesidad de diseñar para una gran gama de habilidades y dificultades físicas y mentales. Para más detalles sobre las aplicaciones de GE Diseño Universal, incluyendo ideas de diseño para la cocina para personas con discapacidades, mire nuestra página Web hoy mismo. Para personas con dificultades auditivas, favor de llamar al 800.TDD.GEAC (800.833.4322).



Garantías ampliadas

ge.com

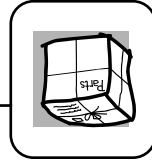
Compre una garantía ampliada y obtenga detalles sobre descuentos especiales disponibles mientras su garantía está aún activa. Puede comprarla en línea en cualquier momento, o llamar al 800.626.2224 durante horas normales de oficina. GE Consumer Home Services estará aún ahí cuando su garantía termine.



Piezas y accesorios

ge.com

Aquellos individuos con la calificación necesaria para reparar sus propios electrodomésticos pueden pedir que se les manden las piezas o accesorios directamente a sus hogares (aceptamos las tarjetas VISA, MasterCard y Discover). Haga su pedido en línea hoy, 24 horas cada día o llamar por teléfono al 800.626.2002 durante horas normales de oficina.



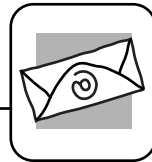
Las instrucciones descritas en este manual cubren los procedimientos a seguir por cualquier usuario. Cualquier otra reparación debería, por regla general, referirse a personal calificado autorizado. Debe ejercerse precaución ya que las reparaciones pueden causar condiciones de funcionamiento inseguras.

Póngase en contacto con nosotros

ge.com

Si no está satisfecho con el servicio que recibe de GE, póngase en contacto con nosotros en nuestra página Web indicando todos los detalles así como su número de teléfono o escribanos a:

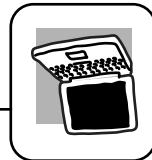
General Manager, Customer Relations
GE Appliances, Appliance Park
Louisville, KY 40225



Registre su electrodoméstico

ge.com

Registre su nuevo electrodoméstico en línea—cuando usted prefiere! El registrar su producto a tiempo le proporcionará, si surge la necesidad, una mejor comunicación y un servicio más rápido bajo los términos de su garantía. También puede enviar su tarjeta de registro pre-impresa que se incluye en el material de embalaje.



Garantía de GE para su estufa a gas.



Todos los servicios de garantía los proporcionan nuestros Centros de Reparación de Fábrica o nuestros técnicos Customer Care® autorizados. Para concertar una cita de reparación, en línea, 24 horas al día, vístenos en ge.com, o llame al 800.GE.CARES (800.432.2737). Cuando llame para solicitar servicio, por favor tenga a mano el número de serie y el número de modelo.

Peque aquí su recibo. Se requiere facilitar prueba de la fecha de compra original para obtener un servicio bajo la garantía.

Por el período de:

Un año
A partir de la fecha de la compra original

Cualquier parte de la estufa de cubierta que falle debido a defectos en los materiales o en la fabricación. Durante esta **garantía limitada de un año**, GE también proporciona, **sin costo alguno**, toda la mano de obra y los servicios internos para reemplazar partes defectuosas.

Cinco años
A partir de la fecha de la compra original

Una estufa de vidrio de reemplazo si el vidrio se rompe o se descolora. Durante esta **garantía adicional limitada de cuatro años**, usted será responsable de cualquier labor o servicio en casa para reemplazar partes defectuosas.

Lo que no está cubierto por GE:

- Viajes de servicio a su casa para mostrarle cómo funciona el equipo.
- Instalación, entrega o mantenimiento inapropiada.
- Fallo del producto resultante de modificaciones al producto o debido a uso incorrecto incluyendo no proporcionar mantenimiento razonable y necesario.
- Dano a la estufa de vidrio causado por el uso de limpiadores diferentes a las cremas y almohadillas recomendadas.
- Dano a la estufa de vidrio causado por derrames endurecidos de materiales azucarados o por plástico derretido que no sean limpiados conforme a las direcciones en el Manual del propietario.

- Reemplazo de fusibles de la casa o reajuste del sistema de circuitos.
- Dano al producto causado por accidentes, incendios, inundaciones o actos de la naturaleza de fuerza mayor.
- Dano incidental o consecuentes causados por defectos posibles con este aparato.
- Damos causados después de la entrega.
- Producto no accesible para facilitar el servicio requerido.

EXCLUSIÓN DE GARANTÍAS IMPLÍCITAS—Su único y exclusivo derecho es la reparación del producto, tal y como se indica en esta Garantía limitada. Cualquier garantía implícita, incluyendo las garantías implícitas de comerciabilidad o adecuación para un fin determinado, están limitadas a un año o el período de tiempo más breve permitido por la ley.

Esta garantía se extiende al comprador original y cualquier comprador posterior de productos comprados para uso residencial dentro de los Estados Unidos. Si el producto está situado en un área que no dispone de servicio por parte de un proveedor de servicio autorizado de GE, podría tener que hacerse cargo de los costos de envío o bien podría solicitarse que lleve el producto a una centro de servicio de GE autorizado para realizar la reparación. En Alaska, la garantía excluye el costo de envío o las visitas de servicio a su casa.

Algunos estados no permiten la exclusión o las limitaciones de daños incidentales o consecuentes. Esta garantía da derechos legales específicos, y usted podría tener otros derechos que varían de estado a estado. Para saber cuáles son sus derechos legales, consulte a la oficina de asuntos del consumidor local o la oficina del Procurador (Attorney General) en su localidad.

Instrucciones de seguridad

Instrucciones de operación

Cuidado y limpieza

Solución e identificación de averías

Apoyo al consumidor

<i>Apoyo al consumidor</i>	<i>Solución e identificación de averías</i>	<i>Cuidado y limpieza</i>	<i>Instrucciones de operación</i>	<i>Instrucciones de seguridad</i>
-----------------------------------	--	----------------------------------	--	--

Instrucciones de seguridad	Instrucciones de operación	Cuidado y limpieza	Solución e identificación de averías	Apoyo al consumidor
-----------------------------------	-----------------------------------	---------------------------	---	----------------------------

Antes de llamar para solicitar servicio...

ideas sobre la identificación y solución de problemas



Instrucciones de seguridad

Instrucciones de operación

Cuidado y limpieza

Solución e identificación de averías

Apoyo al consumidor

Problema	Causas posibles	Qué hacer
Los botones de control no gira	Los controles de la estufa están ajustados inapropiadamente.	<ul style="list-style-type: none"> • Cuando el botón está en la posición OFF (apagado), el botón debe empujarse hacia abajo antes de ser girado. El botón solamente se puede girar en sentido opuesto a la dirección de las agujas del reloj. Cuando el botón está en cualquier otra posición, puede girarse sin empujarse. • Gire el botón en la dirección de las agujas del reloj para encender el ventilador.
El ventilador no funciona	El botón de control del ventilador no está ajustado apropiadamente.	<ul style="list-style-type: none"> • Inspeccione las conexiones. Restablezca el suministro eléctrico en la caja de fusibles.
El cable no está conectado apropiadamente o el suministro eléctrico está suspendido.	El filtro está obstruido.	<ul style="list-style-type: none"> • Limpie el filtro de acuerdo a las instrucciones.
La casa no tiene buena circulación de aire.	La tapa del regulador de tiro de la pared está obstruida.	<ul style="list-style-type: none"> • Abra una ventana levemente para proporcionar una fuente de aire. • Remueva el bloqueo de la tapa de la pared exterior. • Inspeccione la tapa de la pared exterior del regulador de tiro para movimiento libre u obstrucción.
La longitud del conducto excede el máximo de 100 pies recomendado.	El rasguño de limpieza incorrectos siendo usados.	<ul style="list-style-type: none"> • Los rasguños no son removibles. Los rasguños diminutos serán menos visibles al paso del tiempo como resultado de la limpieza. • Para evitar rasguños, use los procedimientos de limpieza recomendados. Cerciórese de que los fondos de las sartenes están limpios antes de usarlas, y use sartenes entre la sartén y la superficie de la estufa.
Rasguños diminutos o marcas de metal (podrían parecer grietas) o abrasiones sobre la superficie de vidrio de la estufa radiante	Sartenes con el fondo áspero están siendo usadas o hubo partículas gruesas (sal o arena) entre la sartén y la superficie de la estufa.	<ul style="list-style-type: none"> • La sartén se ha deslizado a través de la superficie de la estufa.
Áreas de decoloración en la estufa	Superficies calientes en un modelo con una estufa de color pálido.	<ul style="list-style-type: none"> • Ver la sección de <i>Limpieza del vidrio de la estufa</i>. • Esto es normal. La superficie podría parecer decolorada cuando esta caliente. Esto es temporal y desaparecerá conforme el vidrio se enfría.
Plástico fundido sobre la superficie	La estufa caliente se puso en contacto con un instrumento plástico colocado sobre la estufa caliente.	<ul style="list-style-type: none"> • Lame a un técnico clasificado para reemplazo.
Indentaciones sobre la estufa	Derrame de una mezcla de azúcar sobre la estufa.	

Antes de llamar para solicitar servicio...

ge.com

Ideas sobre la identificación y solución de problemas
 !Ahorre tiempo y dinero! Revise esta tabla primero y
 es posible que no necesite llamarnos en busca de
 servicio.



Instrucciones de seguridad	Instrucciones de operación	Cuidado y limpieza	Solución e identificación de averías	Apoyo al consumidor
Problema El agua no hierve	Causas posibles • Cubra la sartén con una tapa. • Apague el ventilador (Posición OFF) hasta que el agua comience a hervir.	Los quemadores tienen llamas amarillentas o con puntas amarillentas La calidad de combustión de las llamas de los quemadores necesita ser determinada visualmente. • Use la ilustración más adelante para determinar si la llama de su quemador es normal. Si las llamas del quemador lucen como A , llame al técnico de servicio. Las llamas normales deben lucir como las B o las C , dependiendo del tipo de gas que usted use. Con gas LP, las puntas de color amarillento en los conos exteriores son normales.	Las partes del quemador no han sido reemplazadas correctamente. • Llamas amarillas - A Lame en busca de servicio • Puntas amarillas en los llamas suaves azules - C. Normal para gas LP, Normal para gas natural Ver la sección de <i>Cuidado y limpieza de la estufa.</i>	Los quemadores no encienden El enchufe de la estufa no está completamente insertado en el tomacorriente eléctrico. • Cerciórese de que el enchufe eléctrico está conectado en un tomacorriente que tenga corriente, y que este conectado apropiadamente a tierra. El suministro de gas no está conectado o no está abierta la línea. El fusible en su residencia podría haberse quemado o el interruptor de circuito se voló. El orificio de ignición en el cuerpo del quemador está obstruido. Las partes del quemador no han sido reemplazadas correctamente, sección de <i>Tapas y cabezas del quemador en la estufa.</i> El agujero encima del quemador podría estar obstruido.
El sonido chispeante persiste aún cuando el quemador está apagado Cerciórese de que el botón está en la posición OFF (apagado). • Remueva el botón empujándolo directamente hacia afuera del vastago e inspeccione el fondo del botón por si existe acumulación de suciedad.	Sonido chispeante ocasional Cambiando la velocidad del soplador. • Este es el sonido típico en el cambio eléctrico.	Las llamas del quemador son grandes o amarillas Proporción de aire a gas no es apropiada. • Si la estufa está conectada a gas LP, póngase en contacto con la persona que hizo la conversión o la persona que hizo la instalación de la estufa.	Las partes del quemador no han sido reemplazadas correctamente. Ver la sección de <i>Cuidado y limpieza de la estufa.</i>	

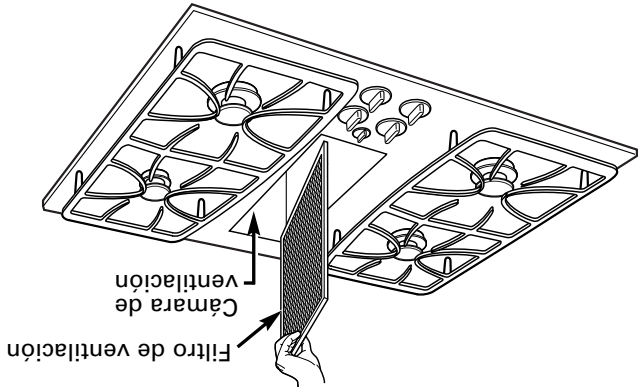
ENSAMBLAJE FINAL

19 INSTALE EL FILTRO DE VENTILACIÓN

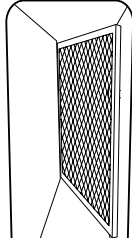
DESCENDENTE, LA JUNTA DE VENTILACIÓN Y LA REJILLA DE VENTILACIÓN

No opere la ventilación si el filtro en su lugar.

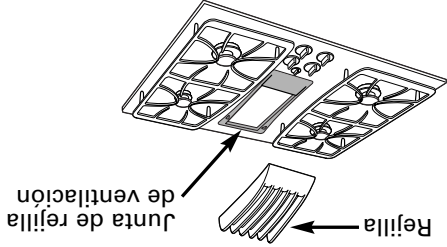
- Coloque el filtro diagonalmente a través de la abertura de ventilación.



- Cerciórese de que descansa en un ángulo, sobre los apoyos en la abertura de ventilación.



- Ajuste la junta de la rejilla de ventilación alrededor del extremo de la abertura de ventilación descendente. Cerciórese de que el frente de la junta está instalado hacia el frente de la estufa.
- Con cuidado, coloque la rejilla de ventilación sobre la junta en la abertura de ventilación descendente.

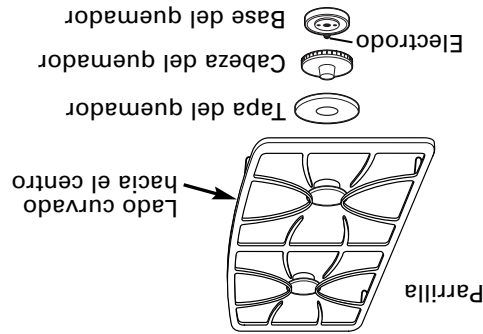


INSPECCIONES LA OPERACIÓN DE VENTILACIÓN DESCENDENTE

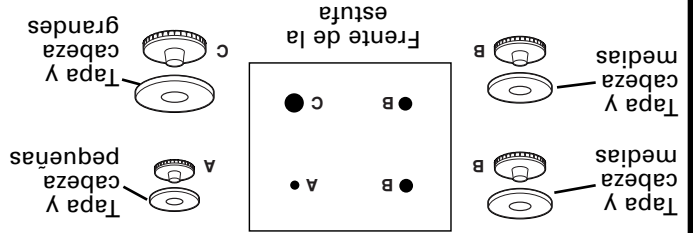
- Gire el control de velocidad del ventilador de ventilación a **HI (ALTO)**, **MED (MEDIO)** y **LO (BAJO)** para cerciorarse de que todas las velocidades operan correctamente.

18 ENSAMBLADURA DE LOS QUEMADORES, INSPECCION LA IGNICIÓN

Ensamble los quemadores como se muestra.



PRECAUCIÓN: No opere el quemador sin todas las partes del quemador en su lugar.



Coloque las cabezas del quemador sobre las bases del quemador combinando las letras. Coloque las tapas en las cabezas. Cerciórese de que las cabezas y las tapas están colocadas en el quemador de tamaño correcto. Las cabezas del quemador y las bases del quemador están etiquetadas A, B y C para ayudar en la ensambladura. Hay una cabeza y una tapa pequeña (A), dos medias (B) y una grande (C). Cerciórese de que la ranura en el quemador de la cabeza está colocada hacia el electrodo. Rote la cabeza del quemador alrededor de la base del quemador hasta que esté nivelada y asentada con seguridad.

Coloque las parrillas sobre los quemadores.

Inspeccione la ignición:

- Empuje hacia adentro un botón de control y gírele a la posición **LITE (ENCENDIDO)**.
- El encendedor chispeará y que quemador se encenderá; el encendedor dejará de chispear cuando el quemador se encienda.
- La primera prueba podría requerir algún tiempo, mientras el aire circula a través de la línea de gas.
- Gire el botón a **OFF (APAGADO)**.
- Repita el procedimiento para cada quemador.

CONEXIONES ELÉCTRICAS

17 REQUISITOS ELÉCTRICOS

Un ramal de circuito de 120 voltios y 60 Hertz protegido por un interruptor de circuito de 15 ó 20 amperios o un fusible de dilatación de tiempo.

PRECAUCIONES SOBRE EL USO DE CABLES

DE EXTENSIÓN

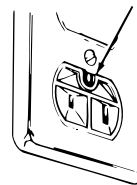
Debido a los riesgos de seguridad potenciales asociados con ciertas condiciones, recomendamos energicamente que no use un cable de extensión. Sin embargo, si decide usar un cable de extensión, es absolutamente necesario que este cable esté clasificado UL, con 3 conductores y que sea certificado para ser usado en electrodomésticos para cargar corriente equivalentes en amperios iguales o mayores que las del ramal del circuito.

CONEXIÓN A TIERRA

IMPORTANTE — (Por favor, lea cuidadosamente)

PARA SEGURIDAD PERSONAL, ESTE ELECTRODOMÉSTICO DEBE ESTAR CONECTADO A TIERRA APROPIADAMENTE.

Método preferido



Cerciórese de que existe una conexión apropiada a tierra antes del uso



El cable eléctrico de este electrodoméstico está equipado con un enchufe de tres clavijas (conexión a tierra) que combina con el receptáculo o tomacorriente para tres clavijas para minimizar la posibilidad del peligro de una descarga eléctrica en este electrodoméstico.

El cliente debe hacer que un técnico calificado inspeccione el tomacorriente de pared y el circuito para cerciorarse de que el tomacorriente está conectado a tierra apropiadamente.

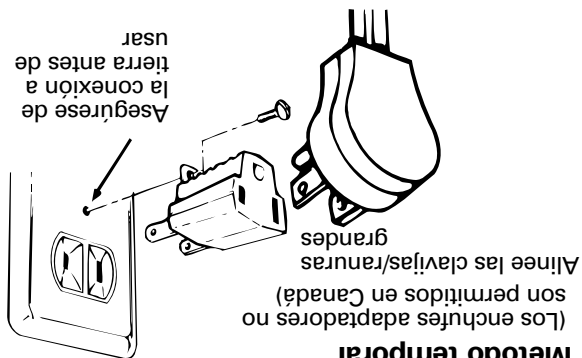
Cuando un tomacorriente de pared estándar de dos clavijas es encontrado, es su responsabilidad y obligación personal hacer que sea reemplazado con un tomacorriente de tres clavijas conectado a tierra apropiadamente.

BAJO NINGUNA CIRCUNSTANCIA CORTE O REMUEVA LA TERCER CLAVIJA DEL CABLE ELÉCTRICO. ¡NO LO HAGAI!

⚠️ PRECAUCIÓN: Pegar el

adaptador de la terminal de tierra al tornillo de la cubierta del tomacorriente de la pared el electrodoméstico no conecta a tierra a no ser que el tornillo sea metálico, que no esté aislado, y que el tomacorriente esté conectado a tierra a través del alambrado de la casa. El cliente debe hacer que un técnico calificado inspeccione el circuito de la residencia para cerciorarse que el tomacorriente está conectado a tierra de manera apropiada.

Método temporal



(Los enchufes adaptadores no son permitidos en Canadá)

Un adaptador podría usarse solamente con un circuito de 15 amperios. No use un adaptador con un circuito de 20 amperios. Cuando los códigos locales lo permitan, una **CONEXIÓN TEMPORAL** podría hacerse a un tomacorriente apropiadamente conectado a tierra de dos clavijas si el tomacorriente está autorizado por UL, los que están disponibles en casi todas las ferreterías. La ranura mayor en el adaptador debe ser alineada con la ranura mayor en el tomacorriente de la pared para proporcionar polaridad apropiada en la conexión del cable eléctrico.

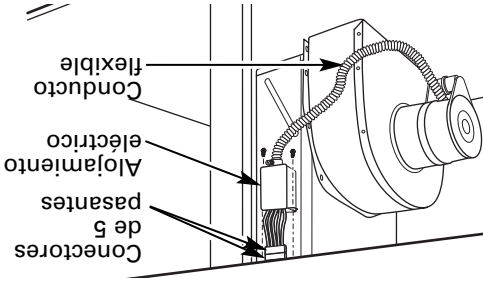
CÓMO INSTALAR LA ESTUFA

15 INSTALACIÓN DEL REGULADOR DE PRESIÓN (CONT.)

IMPORTANTE: Desconecte la estufa y la válvula de cierre de la tubería de suministro de gas durante cualquier prueba de presión de ese sistema a presiones mayores de 1/2 psig. Aísle la estufa de su sistema de tubería de suministro de gas cerrando la válvula de cierre de gas individual manual hacia la estufa durante cualquier prueba del sistema de presión de las tuberías de presión de gas a una prueba de presión igual o menor de 1/2 psig.

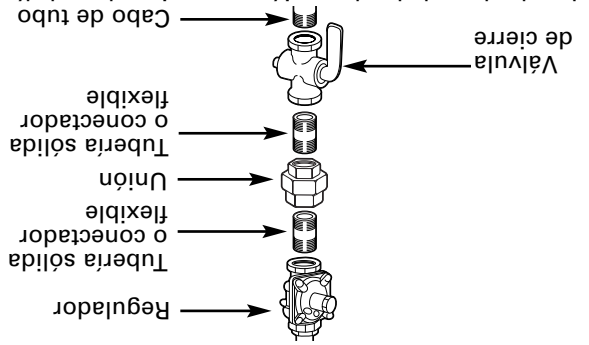
16 CONEXIONES ELÉCTRICAS DEL SOPLADOR

- Afloje los dos tornillos y remueva y descarte la cubierta del conector metálico en el fondo de la estufa. Guarde los tornillos para la reinstalación que vendrá más tarde.
- Conecte el tapón de 5 pasadores en la ensambladura para combinar con el receptáculo de 5 pasadores en el fondo de la estufa.
- Doble todos los alambres en el alojamiento eléctrico. Asegure el alojamiento con los tornillos removidos anteriormente, cerciorándose de que no quedaron alambres atrapados.



- Enchufe el cable de la estufa en un enchufe eléctrico apropiado. Ver paso 17.

INSTALACIÓN DEL REGULADOR DE PRESIÓN



- Instale el regulador de presión proporcionado en la línea de gas tan cerca de la entrada a la estufa como sea posible. Es posible que sea necesario dejar algunas tolerancias para los conductos de ventilación.

Cerciórese de que el regulador sea instalado en la dirección correcta.

- Instale la válvula de cierre manual en la línea de gas en un lugar donde se pueda tener acceso a ella fácilmente. **NOTA:** En vez de usar tubería sólida para conectar el regulador de presión, un conector de electrodómesticos metálico flexible podría usarse entre la válvula de cierre y el regulador de presión, si los códigos locales lo permiten. Se requieren tuercas abocinadas apropiadas y adaptadores en cada extremo del conector flexible.

PRUEBA DE FUGAS

ADVERTENCIA: ¡NO USE UNA LLAMA PARA PROBAR SI EXISTE ALGUNA FUGA DE GAS! No use la estufa hasta que todas las conexiones hayan sido probadas en busca de fugas.

Lleve a cabo una prueba de fugas conforme a las instrucciones siguientes:

1. Compre un detector de fugas líquido o prepare una solución de jabón y agua. Una parte de agua una parte detergente líquido.

2. Cuando todas las conexiones hayan sido hechas, cerciórese de que todos los controles de la estufa están apagados (OFF) y de que la válvula de suministro de gas a la estufa está accionado (ON).
3. Aplique el detector de fugas o la solución jabonosa alrededor de todas las conexiones a partir de la válvula de cierre hasta la estufa.
4. Un fuga es identificada por un flujo de burbujas del área de fuga.
5. Si usted detecta una fuga, **suspenda** el suministro de gas. Apriete la conexión. Conecte el gas otra vez y pruebe de nuevo.

Si la fuga persiste, **suspenda** el suministro de gas y póngase en contacto con su distribuidor en busca de asistencia. No intente operar la estufa si la fuga persiste.

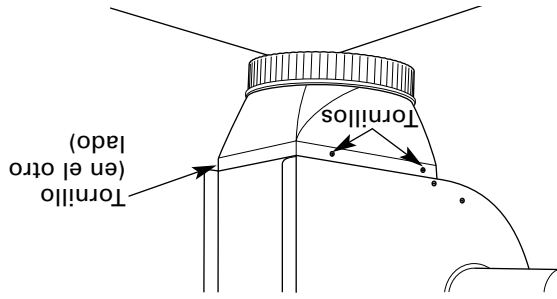
CÓMO INSTALAR LA ESTUFA

14 CÓMO CONECTAR LOS CONDUCTOS

Conecte el conducto preparado en los Pasos 5 y 6 al conducto de transición del soplador.

13 CÓMO PEGAR UNA TRANSICIÓN DE SOPLADOR

Use un conducto de transición de soplador para todas las instalaciones de conductos de flujo de aire descendente para conectar las piezas de conducto de 6" redondas. Este rectángulo de 3 1/4" x 10" a conducto de 6" redondo de transición está disponible en su ferretería local.

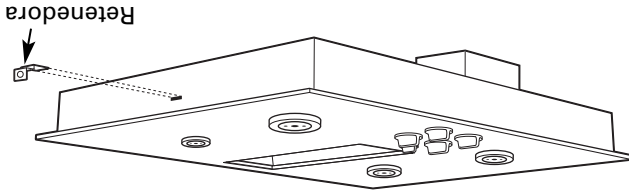


Instale el conducto de transición a la salida del soplador. Asegure toda las juntas con cinta adhesiva de conducto para asegurar hermeticidad.

CÓMO INSTALAR LA ESTUFA

10 INSTALE LAS RETENEDORAS

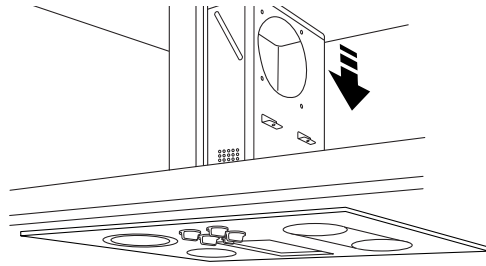
NOTA: Inspeccione en busca de la planicie que se necesita en el Paso 9 antes de instalar las retenedoras.



Asegure la estufa a la encimera usando las retenedoras y el tornillo de cabeza enviado con la unidad (uno de cada lado).

11 CÓMO INSTALAR LA CÁMARA DEL SOPLADOR DE LA ESTUFA

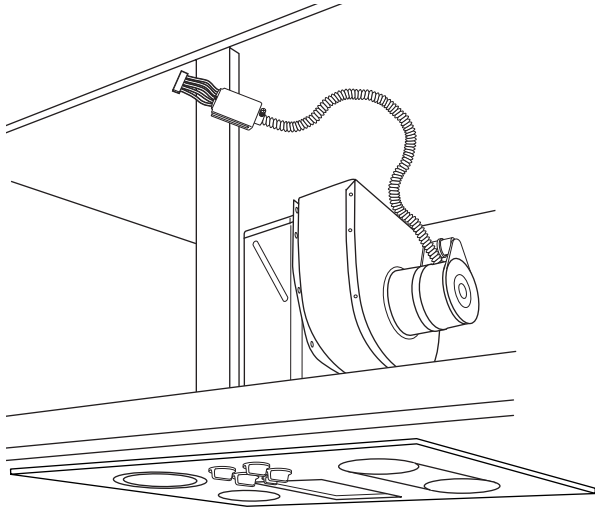
Deslice la cámara, con la abertura del soplador del lado izquierdo, en la abertura en el fondo de la estufa. Empuje la cámara hasta que se detenga cuando la cámara haga contacto con el fondo de la estufa, y la cámara encaje en su lugar. (Es posible que usted tenga que mover la cámara hacia adelante y hacia atrás para encontrar su lugar exacto.)



Asegure la cámara al fondo de la estufa, en cada lado, usando los cuatro (4) tornillos proporcionados. Luego asegure la cámara a la estufa, a partir del lado superior, usando los dos (2) tornillos proporcionados.

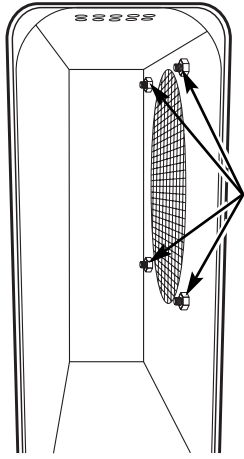
12 CÓMO INSTALAR LA CÁMARA DEL SOPLADOR

Oriente la abertura de descarga del soplador hasta que iguale el conducto en los Pasos 5 y 6. Deslice las cuatro tachuelas roscadas en el lado del alojamiento del soplador en los cuatro agujeros en el lado de la cámara. **NOTA:** Ver el Paso 13 para la instalación del conducto de transición del soplador. Es posible que sea más fácil instalar el conducto de transición al soplador antes de instalar el soplador a la cámara.



A partir de la abertura de ventilación en la parte superior de la estufa, apriete la ensambladura del soplador de manera firme a la cámara con cuatro (4) tuercas.

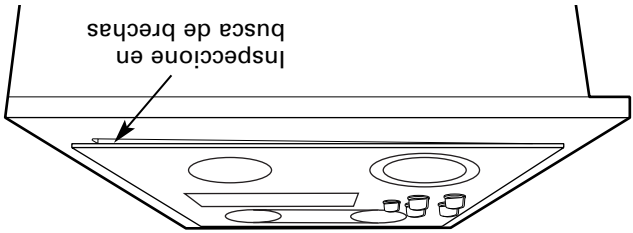
4 tuercas
(se necesita un cubo de 7/16")



CÓMO INSTALAR LA ESTUFA

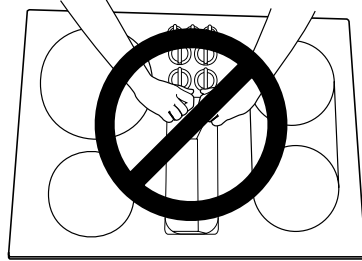
9] CÓMO INSPECCIONAR LO PLANO

Inspeccione el vidrio de la estufa en busca de rocas o brechas con protuberancias en todos los lados de la superficie de la encimera. No intente forzar el vidrio a moldearse a la encimera.



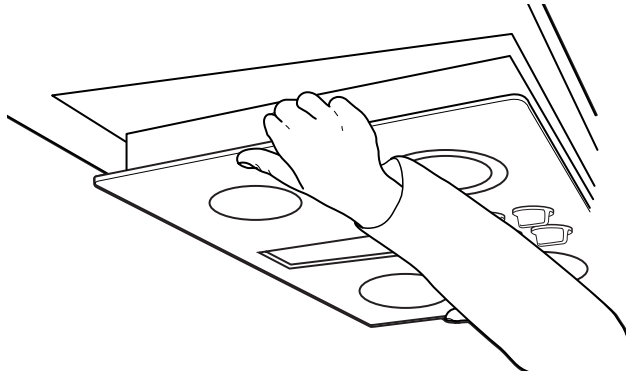
8] CÓMO INSTALAR LA ESTUFA

PRECAUCIÓN: NO LEVANTE POR LA ABERTURA DE LA VENTILACIÓN.



Levante la estufa por los extremos del lado del vidrio como se muestra.

NOTA: No use la abertura de ventilación para levantar o mover la estufa de posición.



Baje la estufa hacia la abertura en la encimera, guiándola hasta llegar a su posición. El vidrio es frágil—no permita que se caiga sobre la encimera. Apoye desde el lado inferior y baje con cuidado. Cuidadosamente remueva sus dedos de una esquina a la vez para bajar la estufa hasta su posición. **NOTA:** No use RTV de silicona o masilla para unir el vidrio de la estufa a la encimera.

CÓMO DESEMPACAR LA ESTUFA / INSTALAR LA JUNTA

7] CÓMO INSTALAR LA JUNTA DE ESPUMA Y CINTA REFLECTANTE

⚠ PRECAUCIÓN: Riesgo potencial de incendio. La cinta reflectante se debe asegurar alrededor de la apertura en la encimera como se muestra.

No instale la estufa en la encimera sin haber instalado la junta de espuma como se muestra. Esta protege el extremo inferior del vidrio de la encimera y sella la estufa contra derrames.

Remueva la estufa junto a sus almohadillas de empaque de la caja de envío. Remueva el bloque de envío de la abertura de ventilación descendente (downdraft) y colóquela debajo de la almohadilla de envío para proporcionar apoyo de nivel.



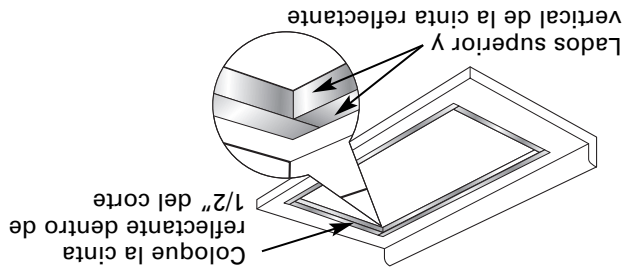
Centre el bloque de envío de la ventilación debajo de la almohadilla de envío para proporcionar apoyo de nivel.

⚠ PRECAUCIÓN: EL VIDRIO ES FRÁGIL. NO GOLPEE LOS EXTREMOS DEL VIDRIO DURANTE LA INSTALACION.

Localice cinta reflectante y cinta de junta de espuma incluida con su estufa.



Pula los extremos ásperos en el corte. Instale la cinta reflectante en la apertura, a lo largo del interior y de 3/8" a 1/2" del extremo de la apertura.



Pele la parte posterior blanca para instalar la cinta de la junta de espuma en el lado del fondo del vidrio de la estufa como se muestra.

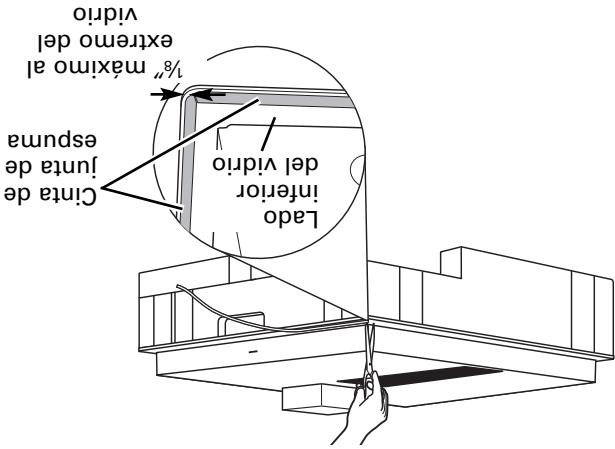
Notas sobre la instalación de la junta de espuma:

- La cinta de junta de espuma debería ser instalada dentro de 1/8" del extremo del vidrio. No alargue o doble la cinta de junta de espuma.

⚠ PRECAUCIÓN: No instalar la

cinta de junta de espuma aumenta el potencia de que el vidrio de la estufa se rompa cuando se esté instalando, especialmente en encimeras Corian® o de granito.

- Use cuidado extremo de no alargar la cinta de junta de espuma mientras la instala o no permanecerá en su lugar.
- No coloque la cinta de junta de espuma sobre los bordes metálicos.
- Empalme los extremos de la cinta de junta de espuma en cada esquina sin que una quede encima de la otra.
- Cubra todo el marco con la cinta de junta de espuma sin alargarla.
- Corte las esquinas externas de la cinta de junta de espuma ligeramente si fuera necesario para que luzca bien.



- No rasguñe el vidrio mientras corta la cinta de junta de espuma.

INSTALACIÓN DE LOS CONDUCTOS

(Nota: Solamente con el propósito de planificación.)

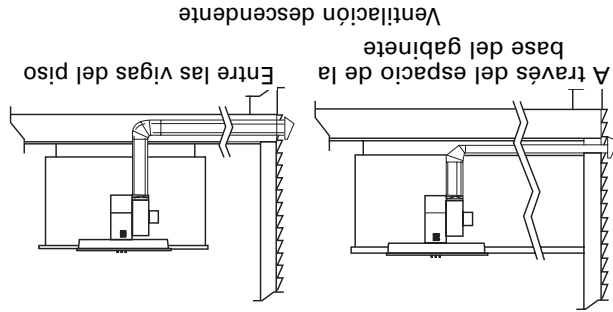
6 COMO INSTALAR LOS CONDUCTOS

Use conductos de aluminio o galvanizados en 6" ó 3 1/4" x 10" en tamaño, o una combinación de ambos.

Conductos de PVC se deben usar si se están instalando bajo una capa de concreto vaciado.

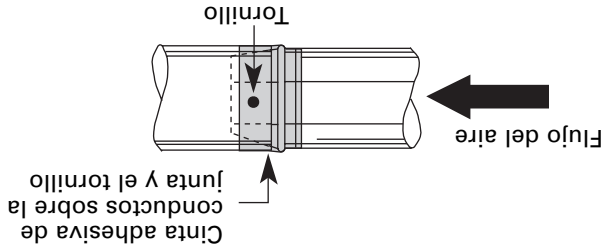
NOTA: Los códigos de construcción locales se deben obedecer en especificar el tipo aprobado y la planificación de TODOS los conductos usados.

Siempre use una tapa con regulador de tiro de techo o de pared. Las tapas de pared para electrodomésticos de lavandería no se deben usar NUNCA.



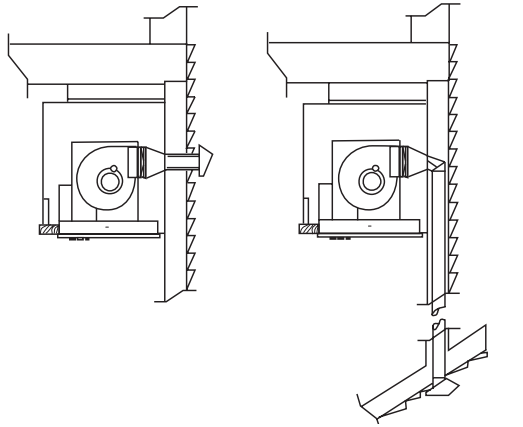
Instale el trabajo de conductos, haciendo que la dirección de las conexiones vaya de macho a hembra para el flujo de aire, como se muestra. Asegure todas las juntas con los tornillos para planchas metálicas y con cinta adhesiva de conductos para asegurar la hermeticidad.

Para eficiencia máxima, use la porción de conducto más corta y más recta posible, con la menor cantidad de accesorios posible. Para un rendimiento satisfactorio, el conducto no debe exceder 100 pies de longitud equivalente. Refiérase a la TABLA 1 de longitudes equivalentes. Use la TABLA 1 para calcular la longitud equivalente total de los conductos.



INSTALACIÓN OPCIONAL: VENTILACIÓN POR LA PARED POSTERIOR

Un conducto de 5" redondo podría usarse en espacios DE CONDUCTOS CORTOS de 3 pies o menores, tales como para una salida de ventilación directa por la parte exterior.



Ventilación por la pared posterior

Para convertir la dirección del soplador de escape, remueva las cuatro tuercas detrás del filtro que sostiene el soplador y el protector de alambre. Rote el soplador y reinstale a la cámara de ventilación, como se muestra encima. Apriete de nuevo las tuercas, pero no las apriete demasiado.

Instrucciones de instalación

RANGOS DEL SOPLADOR DE ESCAPE

ADVERTENCIA DE SEGURIDAD DEL SOPLADOR DE ESCAPE

Suficiente aire es necesario para una combustión apropiada y para deshacerse de los gases a través de una salida de humo (chimenea) de equipos que queman combustibles para prevenir retroalimentación. Siga las recomendaciones del fabricante del equipo de calentamiento y los estándares de seguridad tales como los publicados por la Asociación nacional de protección de incendios (NFA), y la Sociedad americana de ingenieros de calefacción, acondicionadores de aire y refrigeración (ASHRAE), y los códigos de las autoridades locales.

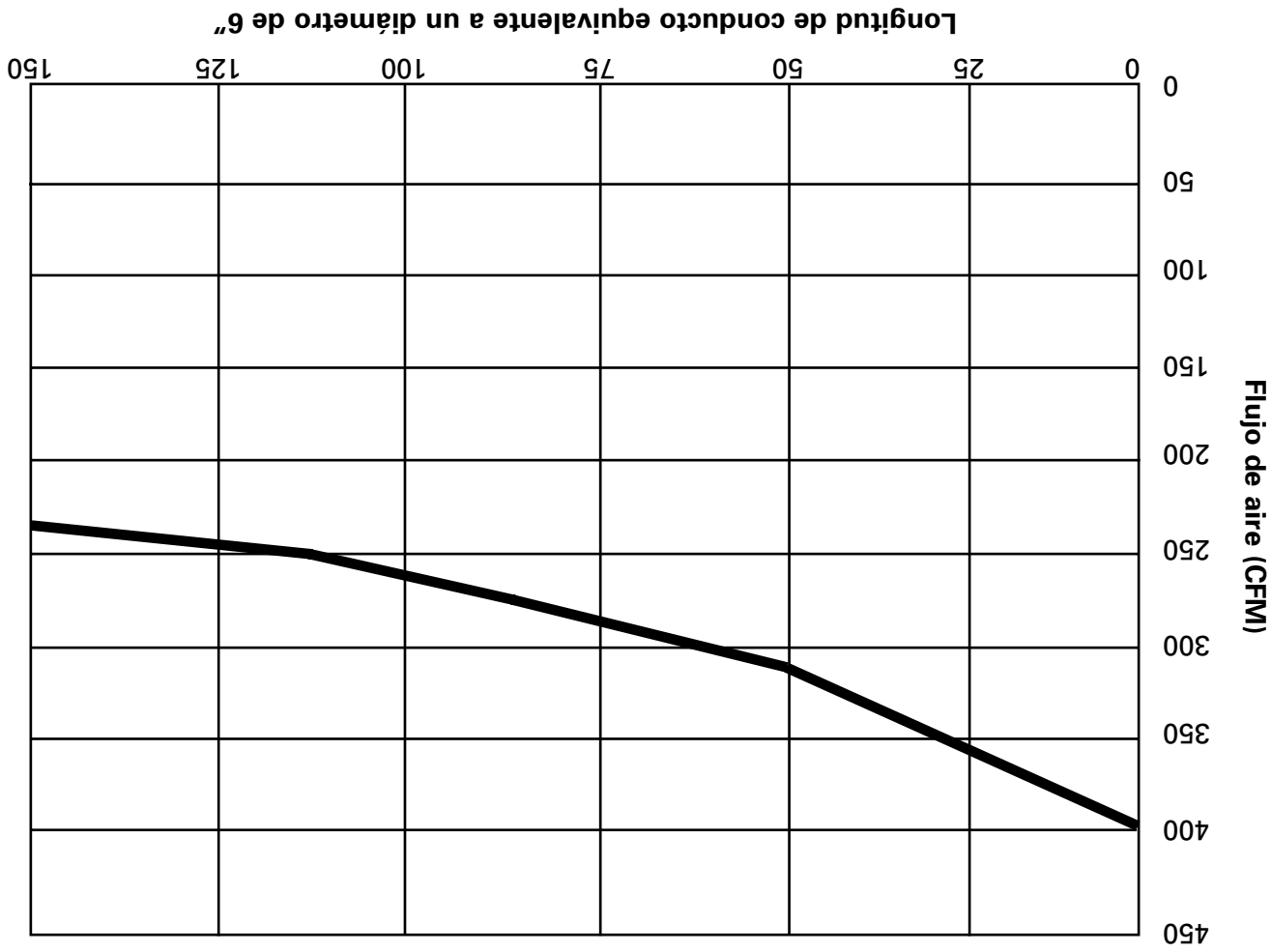
NOTA: La salida del soplador de escape es aproximadamente 400 CFM (pies cúbicos por minutos) sin conductos. Cada instalación es diferente y el conducto afecta la salida del soplador según el caso. El CFM del soplador de escape puede aproximarse usando la gráfica más abajo.

Paso 1: Calcule la "longitud de conducto equivalente" usando la tabla de "CÁLCULOS DE CONDUCTOS" en estas instrucciones para su instalación.

Paso 2: Encuentre el punto de intersección aproximado de la curva de rendimiento de su soplador de escape con la longitud de conducto equivalente para estimar la salida del soplador máxima para su instalación.

Ejemplos: 50 pies equivalentes de conducto tiene aproximadamente 320 CFM.
100 pies equivalentes de conducto tiene aproximadamente 265 CFM.

CFM del soplador de escape de la estufa de ventilación de aire descendente (downdraft)



Instrucciones de instalación

CÁLCULOS DE LOS CONDUCTOS

Cálculo la longitud de conducto equivalente total		Longitud	Número	Longitud equivalente*	Piezas de conducto
		1 Pie	x () =		Redondos rectos de 6"
		1 Pie	x () =		Recto 3 1/4" x 10"
		15 Pies	x () =		Codo de 6", 90°
		9 Pies	x () =		Codo de 6", 45°
		34 Pies	x () =		Adaptador de encaramiento de metal flexible de 24" máx.
		16 Pies	x () =		Codo de 90° 3 1/4" x 10"
		5 Pies	x () =		Codo de 45° 3 1/4" x 10"
		18 Pies	x () =		Codo "plano" de 90° 3 1/4" x 10"
		7 Pies	x () =		Redondos de transición de 6" a 3 1/4" x 10"
		Columna subtotal 1 =			Pies

*Las longitudes equivalentes de las piezas de conducto están basadas en pruebas reales y reflejan los requisitos para un buen rendimiento de ventilación con cualquier estufa de flujo de aire descendente.

Mida y liste los pies de los conductos rectos usados. Cuente y liste la cantidad de todos los otros pedazos de conducto para el "Número usado" de cada tipo.

IMPORTANTE: Para eficiencia máxima, use la porción de conducto más corta y más recta posible, con la menor cantidad de accesorios posible. **Para un rendimiento satisfactorio, el conducto no debe exceder 100 pies de longitud equivalente.** El rendimiento de la ventilación es mejorada usando conductos de mayor diámetro.

Cálculo la longitud de conducto equivalente total		Longitud	Número	Longitud equivalente*	Piezas de conducto
		20 Pies	x () =		Redondo de 6" a 3 1/4" x 10" a codo de 90°
		5 Pies	x () =		3 1/4" x 10" a transición redonda de 6"
		12 Pies	x () =		3 1/4" x 10" a codo de 90° de transición redonda de 6"
		21 Pies	x () =		Tapa redonda de pared de 6" con regulador de tiro
		27 Pies	x () =		Tapa de pared regulador de tiro de 3 1/4" x 10" con redonda de 6"
		20 Pies	x () =		Tapa de techo redonda de 6"
		24 Pies	x () =		Ventilador de techo redondo de 6"
		Subtotal columna 2 =			Pies
		Subtotal columna 1 =			Pies
		CONDUCTOS TOTALES =			Pies

NO USE conductos de plástico flexibles. La instalación de la ventilación no debe exceder la longitud equivalente a 100 pies.

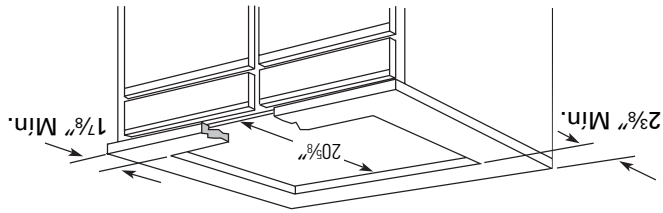
No debe exceder los 100 pies.

CORTES DE PREPARACIÓN DEL GABINETE

3 PREPARANDO LA ENCIMERA

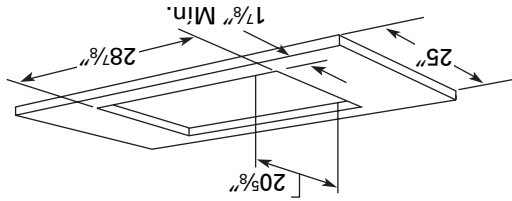
La encimera debe tener una superficie plana profunda para acomodar la estufa y la ventilación. Las encimeras con un extremo frontal rodado y "backsplash" puede no proporcionar el área de superficie plana requerida.

La tolerancia entre el frente interno del gabinete y la parte posterior del corte en la encimera debe ser de 20% para poder acomodar la profundidad de la estufa.



Un área plana de 1/2" de ancho se requiere alrededor del extremo de la abertura para soportar la unidad. La unidad debe ser nivelada y sentarse derecha en la abertura de la encimera.

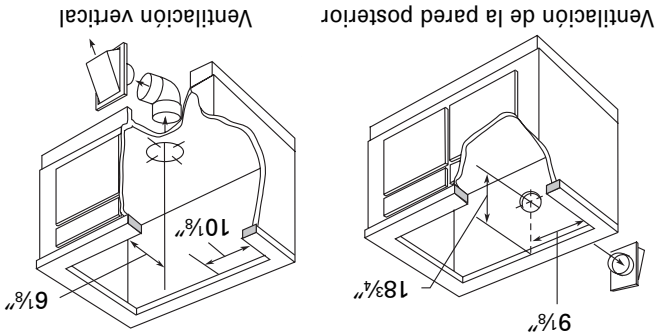
Con cuidado corte la abertura de la encimera de acuerdo con las dimensiones mostradas en la ilustración. Cerciórese de que la abertura es cortada derecha, con los lados paralelos entre sí y con la parte posterior exactamente perpendicular a los lados.



4 PREPARACIONES PARA LOS CONDUCTOS

NOTA: El trabajo de conductos DEBE tener ventilación hacia el exterior. NO VENTILE hacia las paredes, techo, esquinas, áticos o cualquier otro lugar cerrado. Corte un agujero en la pared del gabinete o en el piso del gabinete según sea apropiado para su instalación. Cerciórese de que los tubos de escape están localizados entre los bajantes de la pared o las vigas del piso.

NOTA: Cuando se encuentre cortando o taladrando en la pared o en el techo, no dañe los alambres eléctricos u otras utilidades escondidas.

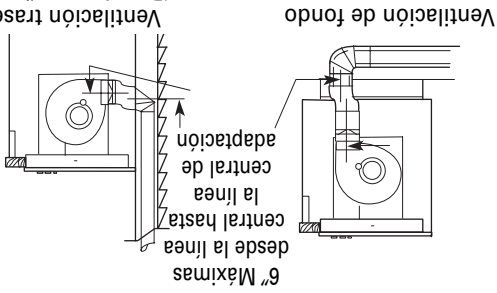


5 ALINEACIÓN DE LOS CONDUCTOS DEL SOPLADOR

En general, no instamos al uso de conductos flexibles porque éste puede causar severas restricciones del flujo de aire. Sin embargo, si la salida del soplador y la localización en la pared o en el piso representa un problema de alineación, entonces usted puede usar conductos METALICOS para adaptar la compensación. Un buen centramiento sin necesidad de conductos flexibles es lo preferido.

NOTA:

- No exceda la adaptación máxima recomendada de 6";
- No permita que el conducto flexible se doble o que colapse.
- Alargue el conducto flexible tanto como sea posible para evitar la corrugación tanto como sea posible.



NOTA: Las ilustraciones son simplemente para que usted planifique.

PREPARACIÓN DEL GABINETE

2 PREPARACIÓN DEL GABINETE DE LA BASE

Esta estufa está diseñada para ajustarse fácilmente en una variedad de gabinetes. Sin embargo, la instalación combinada de una estufa y ventilación descendente requiere consideración cuidadosa.

Algunos gabinetes podrían requerir modificaciones.

Esta instalación requiere un gabinete de base de una profundidad mínima de 24". El gabinete debe ser de por lo menos 30" de ancho.

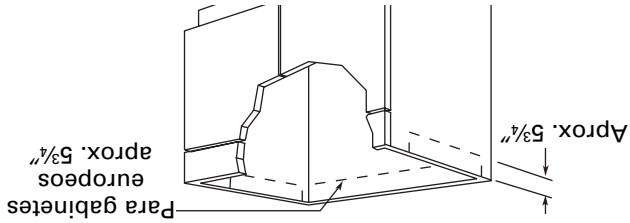
Preparando un gabinete que ajuste contra la pared

En algunos gabinetes, los lados podrían necesitar ser rebajados o cortados 5/16" como se muestra en la figura, y las abrazaderas de las esquinas removidas para acomodar la unidad.

En gabinetes europeos sin forma de 75 cm y 90 cm, el panel posterior podría necesitar ser rebajado hasta 5/16" para acomodar la unidad.

Preparando un gabinete tipo península o tipo isla

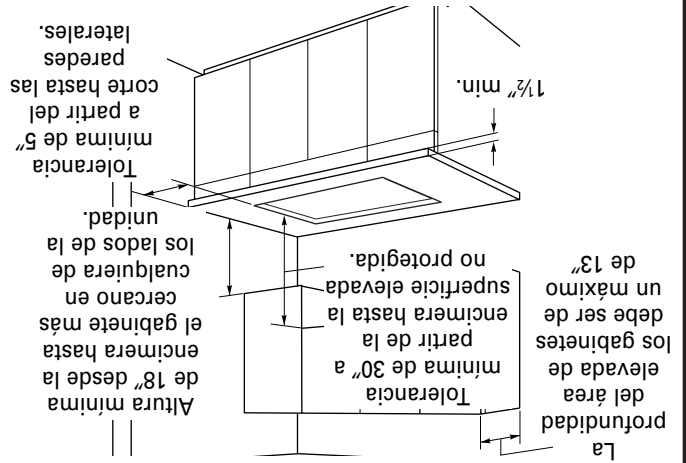
En gabinetes tipo península o isla, los lados podrían necesitar ser rebajados o cortados, y las abrazaderas de las esquinas removidas para acomodar la unidad.



1 PREPARACIÓN PARA LA INSTALACIÓN

Posición de su estufa

La estufa está diseñada para lucir mejor cuando está centrada en un gabinete de por lo menos 30" de ancho. La ventanilla de escape debajo de la estufa debe estar localizada entre los bajantes de la pared o entre las vigas del piso de forma que el trabajo de conductos pueda ser instalado apropiadamente.



El sistema de ventilación descendente con soplador, motor y trabajo de conductos ocupará el gabinete debajo de la estufa. Usted no debe instalar gavetas debajo de esta estufa.

Evite colocar gabinetes encima de la unidad, si es posible, para reducir los peligros causados por tener que intentar alcanzar sobre unidades de superficie calentadas.

Si se usan gabinetes encima de la estufa, deje una tolerancia mínima de 30" entre la superficie de cocina y el fondo de cualquier gabinete no protegido.

Si la tolerancia entre la estufa y la gabinetaría es menor de 30", el gabinete debe protegerse con una plancha retardante de llamas de por lo menos 1/4" de grueso, cubierta con una plancha metálica de acero calibre 28 o con una plancha de cobre de 0.020". La tolerancia entre la estufa y la gabinetaría protegida **NUNCA DEBE SER MENOR DE 24"**.

EXCEPCION: La instalación de un horno de microondas especificado o de un electrodoméstico de cocina sobre una estufa debe conformarse a las instrucciones de instalación empacadas con ese electrodoméstico.

Áreas de trabajo adyacentes debe mantener una tolerancia por lo menos de 18" entre la encimera y el fondo del gabinete. Si la tolerancia es menor de 18", los gabinetes adyacentes deben ser de por lo menos 5" desde el lado extremo de la estufa.

Instrucciones de instalación

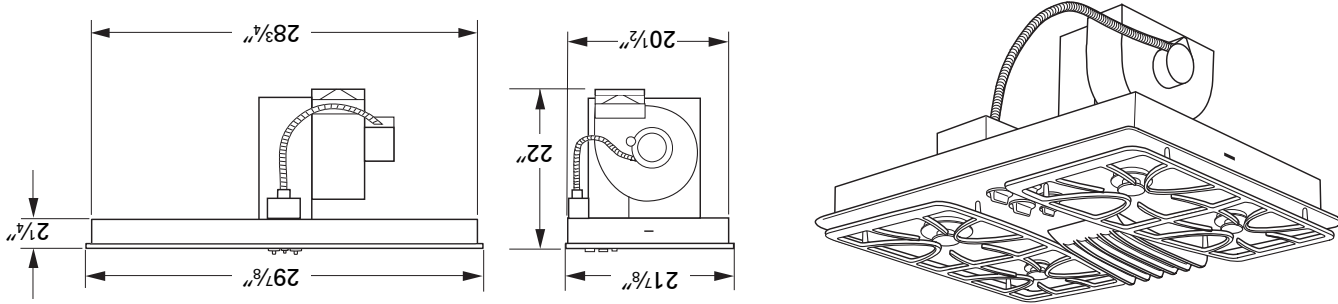
PREPARACIÓN

HERRAMIENTAS QUE NECESITARÁ

- Sierra
 - Cinta adhesiva de conductos
 - Cinta métrica o escala
 - Escuadra de carpintero
 - Llave ajustable o juego de cubos (7/16" cubo de y trinquete)
 - Taladradora y broca
 - Llave de tuercas de 1/4"
 - Tornillos para hojas metálicas
 - Llave de tubos
 - Válvula de cierre de línea de gas manual
 - Sello de juntas de tubos que resista la acción de gas LP
 - Trabajo de conductos que es apropiado para la instalación
- Para conexiones rígidas:**
- Válvula de cierre
 - Unión
 - Accesorios de tubería según sea necesario
- Para conexiones flexibles donde los códigos locales lo permitan:**
- Tubería metálica flexible (el mismo 3/4" ó 1/2" I.D. que la línea de gas de suministro)

ESTUFA DE 30" (DIMENSIONES PARA REFERENCIA SOLAMENTE)

La unidad se muestra totalmente ensamblada.



La unidad debe tener ventilación hacia el exterior!

Instrucciones de instalación

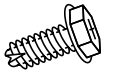
DESEMPACANDO SU ESTUFA

PARTES INCLUIDAS (EMPACADAS DEBAJO DE LA ESTUFA)

- Ensambladura del soplador
- Cámara del soplador
- Tuercas (4) (10-32 tuercas – con sus arandelas de cierre y tuercas de montaje) (4)
- Tuercas (4) (10-32 tuercas – con sus arandelas de cierre)
- Retenedoras y tornillos de pegadas)
- Retenedoras y tornillos de cabeza (2)
- Tornillos para plancha metálica (9) (8-18 x 3/8")
- Cinta de junta de espuma (rollo de 9 pies)
- Regilla de ventilación
- Filtro del ventilador
- Junta de la rejilla de ventilación
- Crema de limpieza
- Esponja de restriegue o raspador (en algunos modelos)
- Parrillas del quemador
- Cabezas del quemador (1 pequeña (A), 2 medias (B), 1 grande (C))
- Tapas del quemador (1 pequeña, 2 medias, 1 grande)
- Regulador de presión de gas
- Cable de enchufe con conexión a tierra de 120 voltios adjunto
- Conversion LP
- Cinta reflectante



Cinta reflectante

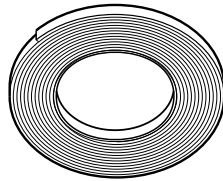
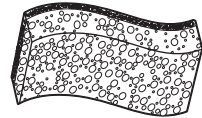


Tornillos para plancha metálica (9) (8-18 x 3/8")

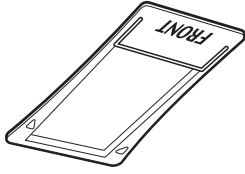
Crema de limpieza



Esponja de restriegue

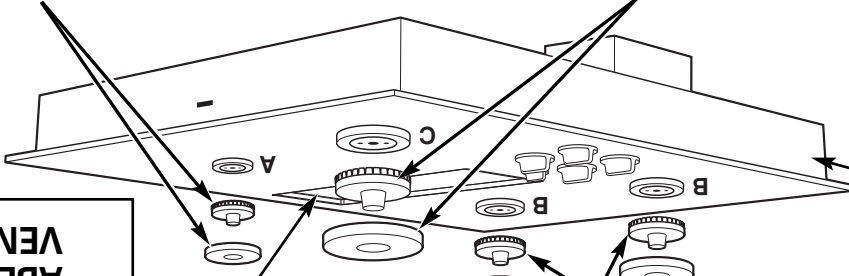


Regilla de ventilación



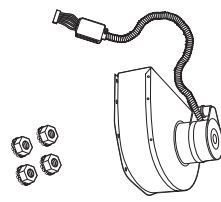
Cinta de junta de espuma

Tapas y cabezas del quemador



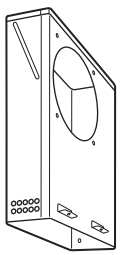
PRECAUCIÓN: EL VIDRIO ES FRÁGIL NO CHOQUE LA ESQUINAS DEL VIDRIO DURANTE LA INSTALACIÓN

Tapas y cabeza del quemador

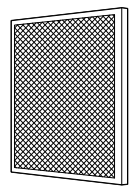


Ensambladura del soplador y tuercas de montaje (4) (10-32 tuercas – con sus arandelas de cierre pegadas)

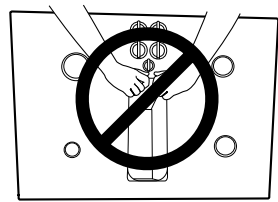
16 Cámara del soplador



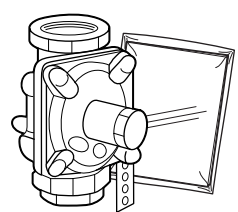
Filtro del ventilador



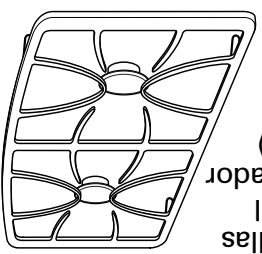
PRECAUCIÓN: NO LEVANTE POR LA ABERTURA DE VENTILACIÓN



Regulador



Parrillas del quemador (2)



Instrucciones de instalación

Estufa a gas ventilación descendente

Si tiene alguna pregunta, llame al 800.GE.CARES (800.432.2737) o visite nuestro sitio en la Web: ge.com

EN EL ESTADO DE MASSACHUSETTS:

- Este producto lo debe instalar un plomero con licencia o un instalador de gas.
- Al usar válvulas de cierre de gas de tipo estera, no deben ser del tipo de manija en T.
- Un conector de gas flexible, cuando se utilice, no debe superar los 3 pies.

ANTES DE COMENZAR

- **Lea estas instrucciones completa y cuidadosamente.**
- **IMPORTANTE** – Guarde estas instrucciones para ser usadas por el inspector local.
- **IMPORTANTE** – Observe todos los códigos y ordenanzas aplicables.
- **Nota al instalador** – Cerciórese de dejar estas instrucciones con el Consumidor.
- **Nota al consumidor** – Guarde estas instrucciones para referencia futura.
- La instalación apropiada es la responsabilidad del instalador.
- Si este producto falla por una instalación inapropiada, la Garantía no cubrirá este producto.

POR SU SEGURIDAD

- **Si percibe olor a gas:**
- **1. Abra las ventanas.**
- **2. No toque los interruptores eléctricos.**
- **3. Apague cualquier llama abierta.**
- **4. Llame de inmediato a su abastecedor de gas.**
- **No almacene o use gasolina u otros vapores y líquidos inflamables en la cercanía de este o cualquier otro aparato.**

ADVERTENCIA

Antes de comenzar la instalación, desconecte el interruptor de suministro eléctrico en el panel de servicio y cierre el mecanismo de seguridad para evitar que alguien lo conecte accidentalmente. Cuando no exista un dispositivo de cierre de seguridad, amarre un aviso visible, como una etiqueta al panel de servicio haciendo la advertencia.

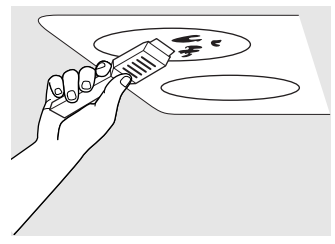
INSTRUCCIONES IMPORTANTES DE SEGURIDAD

La estufa es un diseño que ha sido certificado por la Asociación Norteamericana de Gas. Como sucede con cualquier aparato que utilice gas y genere calor, hay ciertas precauciones de seguridad que debe seguir. Encontrará estas precauciones en la sección *Instrucciones importantes de seguridad* en esta manual. Léala detenidamente.

- Asegúrese de que la estufa sea instalada adecuadamente por un técnico calificado o un técnico en servicio.
- La estufa debe tener conexión a tierra de acuerdo con los códigos locales, o en ausencia de éstos, con el Código Eléctrico Nacional ANSI/NFPA No. 70—última edición.
- La instalación de esta estufa debe realizarse de acuerdo con los códigos locales, o en la ausencia de códigos locales, con el Código de Gas Combustible Nacional, ANSI Z223.1—última edición.
- La instalación, el ajuste, la alteración, el servicio o mantenimiento incorrectos pueden causar lesiones o daños a la propiedad. Consulte este manual. Para asistencia o información adicional, consulte a un instalador calificado, agente de servicio, fabricante (distribuidor) o al abastecedor de gas.
- Desconecte el suministro eléctrico antes de dar servicio al aparato.
- Nunca reutilice conectores flexibles viejos. Usarlos podría causar fugas de gas y lesiones personales. Siempre use conectores flexibles **NUEVOS** al instalar un electrodoméstico a gas.
- Asegúrese de que los recubrimientos de las paredes que están alrededor de la estufa resistan el calor generado por la estufa hasta 200 °F (93 °C).
- Evite colocar gabinetes encima de la estufa.
- Si se colocan gabinetes encima de la estufa, permita una tolerancia mínima de 30" entre la superficie de cocción y el fondo del gabinete no protegido.
- Si los gabinetes están colocados por encima de la estufa, use gabinetes de no más de 13" de profundidad.
- Si una tolerancia de 30" entre la superficie de cocina y el material combustible encima de la estufa o los gabinetes metálicos no pueden mantenerse, proteja la parte de abajo de los gabinetes que se encuentran en la parte superior de la estufa con no menos de 1/4" (6,4 mm) de cartón y aislante o lámina de yeso de al menos 3/8" (4,8 mm), cubierta con una hoja de metal de calibre 28 o de cobre 0,020" (0,5 mm) de espesor.
- La distancia entre la superficie para cocinar y los gabinetes protegidos **NUNCA DEBE SER MENOR QUE 24 PULGADAS (61 cm)**. La distancia vertical desde la superficie para cocinar hasta la parte inferior de los gabinetes adyacentes superiores debe ser extenden más de 1" (2,5 cm) a los lados del plano de la estufa no debe ser menor de 18" (45,72 cm).

Como limpiar el vidrio de la estufa.

Residuo quemado pesado encima de la superficie



El raspador de estufas de cerámica CERAMA BRYTE® y todos los accesorios recomendados están disponibles a través de nuestro Centro de partes. Ver las instrucciones bajo la sección "Para ordenar partes" en la próxima página.
NOTA: No use una navaja bota o mellada.

- 1 Permita que la estufa se enfríe.
- 2 Remueva las parrillas del quemador, la rejilla de ventilación y la junta de la rejilla de ventilación.
- 3 Use un raspador de navaja única a aproximadamente un ángulo de 45° contra la superficie de vidrio y raspe el sucio. Será necesario aplicar presión para que el raspador remueva el residuo.
- 4 Después de raspar con el raspador, aplique algunas gotas de limpiador de estufas de cerámica CERAMA BRYTE® en el área
- 5 Para protección adicional, después de que todo el residuo haya sido removido, pula la superficie completa con el limpiador de estufas de cerámica CERAMA BRYTE® y con una toalla de papel.

Marcas metálicas y rasguñaduras

Tenga cuidado de no deslizar ollas o sartenes a través de su estufa. Ellas dejarán marcas sobre la superficie de su estufa.

Estas marcas son removibles usando el limpiador de estufas de cerámica CERAMA BRYTE® con la almohadilla

Superficie de vidrio—potencial de daño permanente.

Daño de derrames de azúcar y plástico derretido

- 1 Apague todas las unidades de superficie. Remueva las sartenes calientes.
- 2 Usando un guante de hornos:
 - a. Use un raspador de navaja única (Raspador de estufas de cerámica CERAMA BRYTE®) para remover el derrame a un área fría en la estufa.
 - b. Remueva el derrame con toallas de papel.

Nuestras pruebas muestran que si usted está cocinando con mezclas de alta concentración de azúcar, tales como jalea o caramelo y ocurre un derrame, puede causar daño permanente a la superficie de vidrio de la estufa a no ser que sea removida inmediatamente.

Para ordenar partes

Para ordenar el limpiador de estufas de cerámica CERAMA BRYTE® y el raspador para estufas, por favor llámenos gratuitamente al número:

Centro de partes nacional 800.626.2002

El limpiador de estufas de cerámica CERAMA BRYTE® # WX10X300

Raspador de estufas de cerámica CERAMA BRYTE® # WX10X0302
 Kit # WB64X5027 (El Kit incluye la crema y el raspador)
 Almohadilla de limpiar estufas de cerámica CERAMA BRYTE® # WX10X350

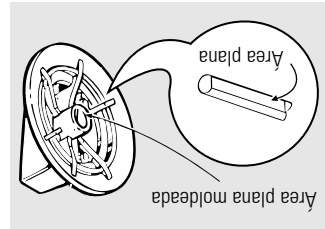
NOTA: Si ya han ocurrido hendiduras o indentaciones en la superficie de vidrio, el vidrio de la estufa tendrá que ser reemplazado. En este caso, será necesario darle servicio a la estufa.

Limpie las perillas en el lavaplatos o lave las perillas en agua y jabón. Antes de que reemplazo, cerciórese de que los interiores de las perillas estén secos. Cuando reemplace las perillas, revise de que estén en la posición de apagado (OFF) para garantizar la colocación correcta.

Botones de control

Las perillas de control pueden quitarse para limpiarse.

Para limpiar las perillas, cerciórese de que estén en la posición de apagado (OFF). Hale cada perilla hacia fuera del vastago.



Los botones de control se pueden remover para hacer su limpieza más fácil.

Como limpiar la estufa de vidrio.

Limpieza de uso normal diario

SOLAMENTE use limpiador de estufas de cerámica CERAMA BRYTE® en su estufa de vidrio. Otras cremas podrían no ser efectivas. Para mantener y proteger la superficie de su estufa de vidrio, siga estas instrucciones:

- 1 Antes de usar la estufa por primera vez, limpie con limpiador de estufas de cerámica CERAMA BRYTE®. Esto ayuda a proteger la parte superior y hace que la limpieza sea más fácil.
- 2 El uso diario del limpiador de estufas de cerámica CERAMA BRYTE® ayudará a mantener la estufa luciendo como nueva.
- 3 Remueva las patillas del quemador,

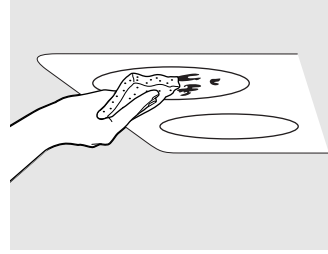


Limpie su estufa después de cada derrame. Use el limpiador de estufas de cerámica CERAMA BRYTE®.

Residuo quemado encima de la superficie

ADVERTENCIA: DAÑO a su superficie de vidrio podría ocurrir si usted usa almohadillas para restregar que no sean las incluidas con su estufa.

- 1 Permita que la estufa se enfríe.
- 2 Remueva las patillas del quemador, la rejilla de ventilación y la junta de la rejilla de ventilación. Riegue algunas gotas del limpiador de estufas de cerámica CERAMA BRYTE® en el área entera donde se encuentra el residuo.
- 3 Usando la almohadilla de limpiar estufas de cerámica CERAMA BRYTE®



Use una almohadilla de limpiar estufas de cerámica CERAMA BRYTE® o una almohadilla de restregar azul suave multipropósitos Scotch-Brite.

BRYTE® incluida, restriegue el área de residuo, aplicando presión donde sea necesario.

- 4 Si cualquier residuo permanece, repita los pasos enumerados anteriormente según sea necesario.
- 5 Para protección adicional, después de que todo el residuo haya sido removido, pula la superficie entera con la crema limpiadora de estufas de cerámica CERAMA BRYTE® y con una toalla de papel.

Cuidado y limpieza de la estufa.

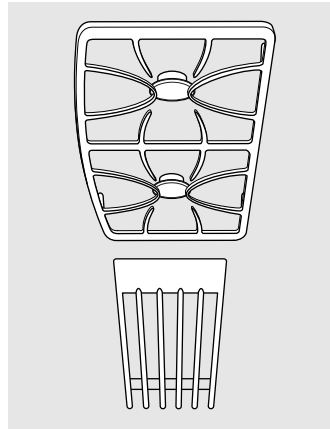
Instrucciones de seguridad

Instrucciones de operación

Cuidado y limpieza

Solución e identificación de averías

Apoyo al consumidor



La apariencia podrá variar.

Las patas de la parrilla tiene un pie de latón y tres pies de goma. Para ordenar reemplazos de las patas de parrillas de goma, por favor llámenos gratuitamente:

Centro de partes nacional 800.626.2002
Patatas de parrilla de goma#WB02T10101

Las parrillas y la rejilla de ventilación deben lavarse regularmente y, por supuesto, después de derrames. Lávelas con agua jabonosa y caliente y enjuáguelas con agua limpia.

La decoloración en las parrillas podría también removerse usando la crema de limpieza de estufas proporcionada. Aplique una o dos gotas en un trapo húmedo y restriegue a través del área descolorada. Enjuague y seque. Después de la limpieza, reemplace las parrillas de quemador y cerciórese de que están colocadas con seguridad sobre los quemadores.

Para remover comida quemada encima de la estufa, use una almohadilla con jabón para restregarla.

Aunque son duraderas, las parrillas eventualmente perderán su brillo, sin importar cuánto cuidado usted les proporcione. Este se debe a su exposición continua a altas temperaturas. Usted notará esto con parrillas de colores más claros.

No opere el quemador por un período de tiempo extendido sin haber colocado una sartén sobre la parrilla. El acabado de la

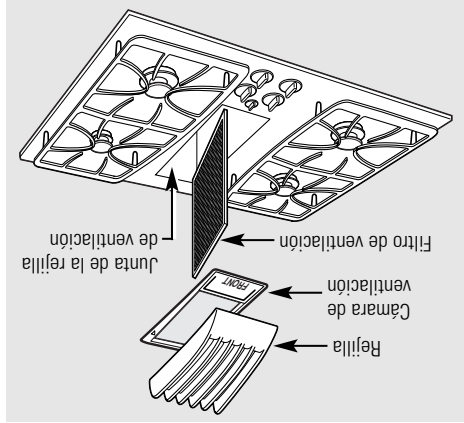
Para ordenar filtros de reemplazo, por favor llame gratuitamente al:

Centro de partes nacional 800.626.2002
Filtro#WB02X10651

Cámara y filtro de ventilación

Remueva la rejilla de ventilación y la junta de la rejilla de ventilación. El filtro se mantiene en su lugar por un tope de ángulo. Levante el filtro y extraígalo de la abertura de ventilación diagonalmente.

Limpie el filtro agitando al aire en agua enjabonada y caliente. Enjuague bien y seque profundamente.



Remueva y reemplace el filtro diagonalmente a través de la abertura de ventilación.

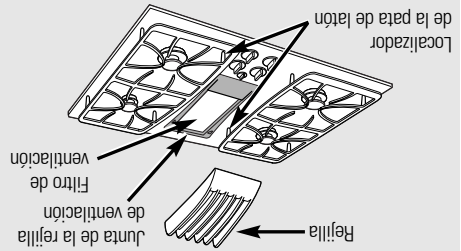
Parrillas del quemador y rejilla de ventilación

parrilla podrá desportillar sin una sartén que absorba el calor.

Reemplazo

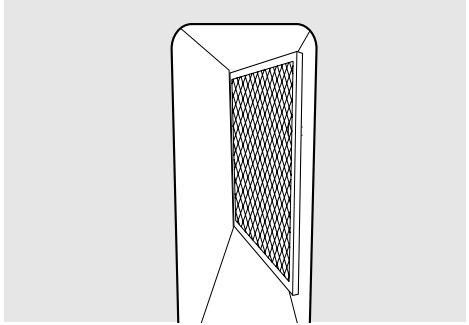
Antes de reemplazar la rejilla de ventilación, cerciórese de que la junta de la rejilla está instalada apropiadamente alrededor de la abertura de ventilación descendente, con la palabra **FRENTE** (FRONT) hacia los botones. Reemplace la rejilla cuidadosamente sobre la junta.

Cuando se encuentre reemplazando parrillas, cerciórese de que están colocadas con su localizador de pata de latón hacia el centro.



NOTA: No limpie las parrillas, la rejilla o la junta de la rejilla en un horno de limpieza automática. Las parrillas, rejilla y la junta de la rejilla se pueden limpiar en un lavaplatos.

No opere la ventilación sin el filtro



Cuando reemplace el filtro, cerciórese de que descansa en un ángulo en los apoyos en la abertura de ventilación.

Para limpiar la cámara de ventilación,

use agua caliente enjabonada. No use limpiadores abrasivos; dañarán el acabado.

Reemplazo

Reemplace el filtro después de limpiarlo y secarlo. Reemplace la junta de la rejilla de ventilación formándola alrededor de la abertura de ventilación y cerciórandose de que la palabra **FRENTE** (FRONT) está colocada hacia los botones. Reemplace la rejilla.

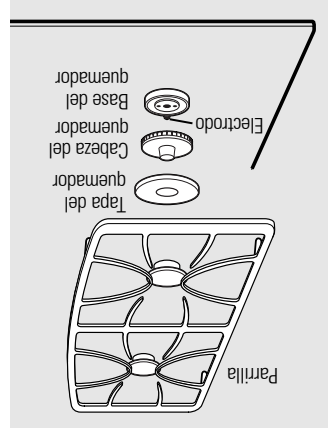
Cuidado y limpieza de la estufa.

Cercorese de que el suministro eléctrico está suspendido y que todas las superficies están frías antes de limpiar cualquierera de las partes de la estufa.

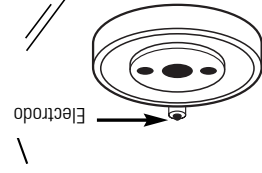
Ensambladuras del quemador sellado

Apague (OFF) todos los controles antes de remover las partes del quemador.

Las parrillas del quemador, las tapas y las cabezas del quemador se pueden levantar, lo que hace que su limpieza sea fácil.



PRECAUCIÓN: No opere el quemador sin todas las partes del quemador en su lugar.



Cuando un quemador es girado hacia **LITE (ENCENDIDO)**, todos los quemadores chispean. No intente desensamblar o limpiar alrededor de ninguno de los quemadores mientras uno de ellos está encendido. Podría resultar una descarga eléctrica, lo que a su vez podría causar que usted volteie una sartén caliente.

Instrucciones de seguridad

Instrucciones de operación

Cuidado y limpieza

Solución e identificación de averías

Apoyo al consumidor

Tapas y cabezas del quemador

NOTA: Antes de remover las tapas y las cabezas del quemador, recuerde su tamaño y localización. Reemplácelas en la misma localización después de la limpieza. Las cabezas del quemador y las bases del quemador están etiquetadas A, B y C para ayudarle en la ensambladura.

Tapas del quemador

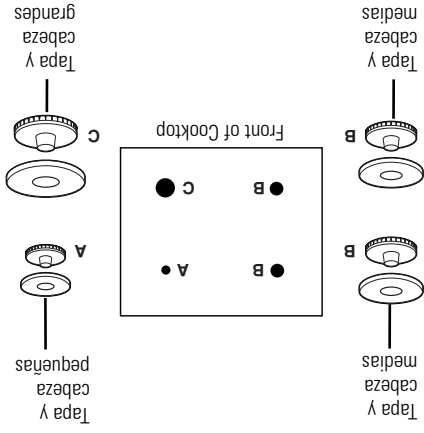
Levántelas cuando estén frías. Lave las tapas del quemador con agua de jabón caliente y enjuáguela con agua limpia. Usted la puede restregar con un restregador para remover las partículas de comidas quemadas que se le hayan adherido.

Cabezas del quemador

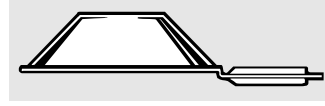
Las rendijas en las cabezas del quemador de su estufa deben mantenerse limpias en todo momento para lograr llamas uniformes y constantes.

Usted debería limpiar los quemadores de la superficie de manera rutinaria, especialmente después de derrames serios, los que podrían obstruir las aberturas. Levante cuando estén fríos. Para remover alimentos quemados encima de la estufa, moje la cabeza del quemador en una solución de líquido detergente suave y agua caliente de 20 a 30 minutos. Para manchas más fuertes, use un cepillo.

Reemplazo
Las cabezas y las bases del quemador están etiquetadas A, B y C para ayudar en la reensambladura. Reemplace las cabezas del quemador en las bases combinando las letras. Cerciórese de que las tapas y las cabezas son colocadas en el orden correcto. De cada uno hay uno pequeño (A), dos medios (B) y uno grande (C).



Como usar su estufa.



Use un wok de fondo plano.

Recomendamos que use un wok de fondo plano, disponible en su ferretería más cercana.

Use el wok de esta forma

Solamente use woks de fondo plano. No use un wok de fondo aplastado con un sostenedor de woks.

No use un wok de fondo aplastado sobre un aro de soporte. Colocar el aro sobre el

quemador o sobre la parrilla podría causar que el quemador no funcione apropiadamente, resultando en niveles de monóxido de carbono más altos que los permitidos por los estándares presentes. Esto podría ser peligroso para su salud.

Sartenes

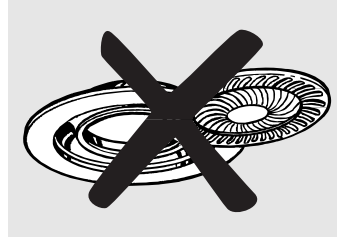
Aluminio: Se recomiendan las sartenes de peso medio porque se calientan más rápida y uniformemente. La mayoría de los alimentos se doran uniformemente en una cacerola pequeña con un mango largo de aluminio. Use cacerolas con tapas que ajusten bien cuando cocine con cantidades mínimas de agua.

Piezas de cocina esmaltadas: Bajo algunas condiciones, el esmalte de algunas piezas de cocina podría fundirse. Siga las

recomendaciones del fabricante de la sartén para los métodos de cocción.

Vidrio: Hay dos tipos de piezas de cocina de vidrio: aquellos que son para ser usados en horno solamente y aquellos que son para cocinar en estufas (cacerolas, cafeteras o ollas de té). Los conductos de vidrio se calientan muy lentamente.

Acero inoxidable: Este metal solo tiene propiedades de calentamiento pobres y es usualmente combinado con cobre, aluminio u otros metales para mejorar su distribución de calor. Estas cacerolas cuando están fabricadas de una combinación de metales generalmente funcionan satisfactoriamente si se usan con calor medio como el fabricante lo recomienda.

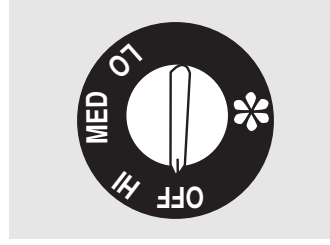


Parrillas para la superficie de la estufa

No use parrillas para la superficie de la estufa en su quemador de gas sellado. Si usted usa estas parrillas en el quemador de gas sellado causará una combustión incompleta y podría resultar en la

producción de monóxido de carbono en niveles mayores de los permitidos por los estándares actuales. Esto podría ser peligroso para la salud.

Como usar el sistema de ventilación descendente.



El sistema de ventilación incorporado ayuda a remover los vapores producidos por los alimentos al ser cocinados en la estufa, además de los olores y el humo.

Gire el botón de control de velocidad del ventilador de ventilación a **HI (ALTO), MED (MEDIO) o LO (BAJO)**, según sea necesario.

El uso continuo del sistema de ventilación mientras cocina ayuda a mantener la cocina cómoda y menos húmeda, reduciendo los olores de cocina y la humedad que normalmente crea la necesidad frecuente de limpieza.

Como operar el sistema de ventilación descendente

La apariencia de las llamas del quemador podría ser afectada cuando el ventilador está en operación. A un ajuste del ventilador de alta velocidad, la llama podría ser absorbida hacia la abertura del ventilador, afectando el rendimiento de la cocción.

IN CASO DE UNA INTERRUPCIÓN EN EL SUMINISTRO ELÉCTRICO, EL SISTEMA DE VENTILACIÓN NO FUNCIONARÁ.

Como usar los quemadores de superficie de gas.

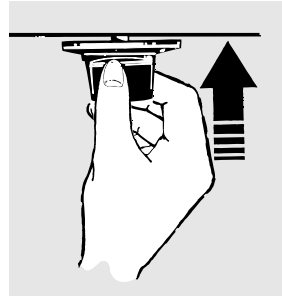
A través de este manual, las características y la apariencia podría variar de acuerdo al modelo.

Como encender un quemador de superficie de gas

Empuje el botón de control hacia abajo girándolo hasta la posición **LITE (ENCENDIDO)**. Usted escuchará un pequeño ruido que hace **click**—el sonido de la chispa eléctrica encendiendo el quemador.

Gire el botón para ajustar el tamaño de la llama. Si el botón permanece en **LITE**, continuará haciendo clic.

Cuando un quemador sea movido a **LITE**, todos los quemadores chispean. No intente desensamblar o limpiar alrededor de ninguno de los quemadores mientras otro quemador está encendido. Una descarga eléctrica podría resultar, lo que podría causar que usted voltee la sartén.



Empuje el botón de control hacia abajo girándolo hasta la posición **LITE (ENCENDIDO)**.

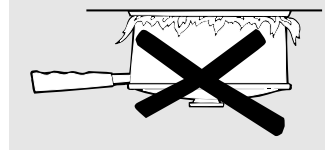
Quemadores de gas sellados

El quemador más pequeño (posición posterior derecha) le darán los mejores resultados para hervir a fuego lento. Este le ofrece rendimiento de cocción preciso para comidas delicadas, tales como salsas o comidas que necesitan cocinarse en calor lento y bajo. Este puede reducirse a una selección de cocción a fuego lento muy baja.

Los otros quemadores tienen mayor poder y harán que los líquidos hiervan mucho más rápidamente, especialmente con el uso de una tapa.

Como seleccionar el tamaño de la llama

Cualquier llama mayor que el fondo de la sartén se está desperdiciando y solamente sirve para calentar la manija de la sartén. Vigile las llamas, no el botón, cuando reduzca el calor. El tamaño de la llama en un quemador de gas debe ajustarse a la sartén que se encuentre usando.



Para un manejo seguro de sus piezas de cocina o sartenes, nunca permita que las llamas se extiendan más allá de los lados de la sartén.

En caso de una interrupción en el suministro eléctrico

Los quemadores de superficie en uso cuando suceda una interrupción en el suministro eléctrico continuarán operando normalmente.

EN CASO DE UNA INTERRUPCIÓN EN EL SUMINISTRO ELÉCTRICO, EL SISTEMA DE VENTILACIÓN NO OPERARÁ.

En caso de una interrupción en el suministro eléctrico, usted puede encender los quemadores de la superficie de gas de su estufa con un fósforo.

Antes de encender un quemador de gas

■ Cerciórese de que todas las patillas de la estufa están en su lugar antes de usar cualquiera de los quemadores.

Después de encender un quemador de gas

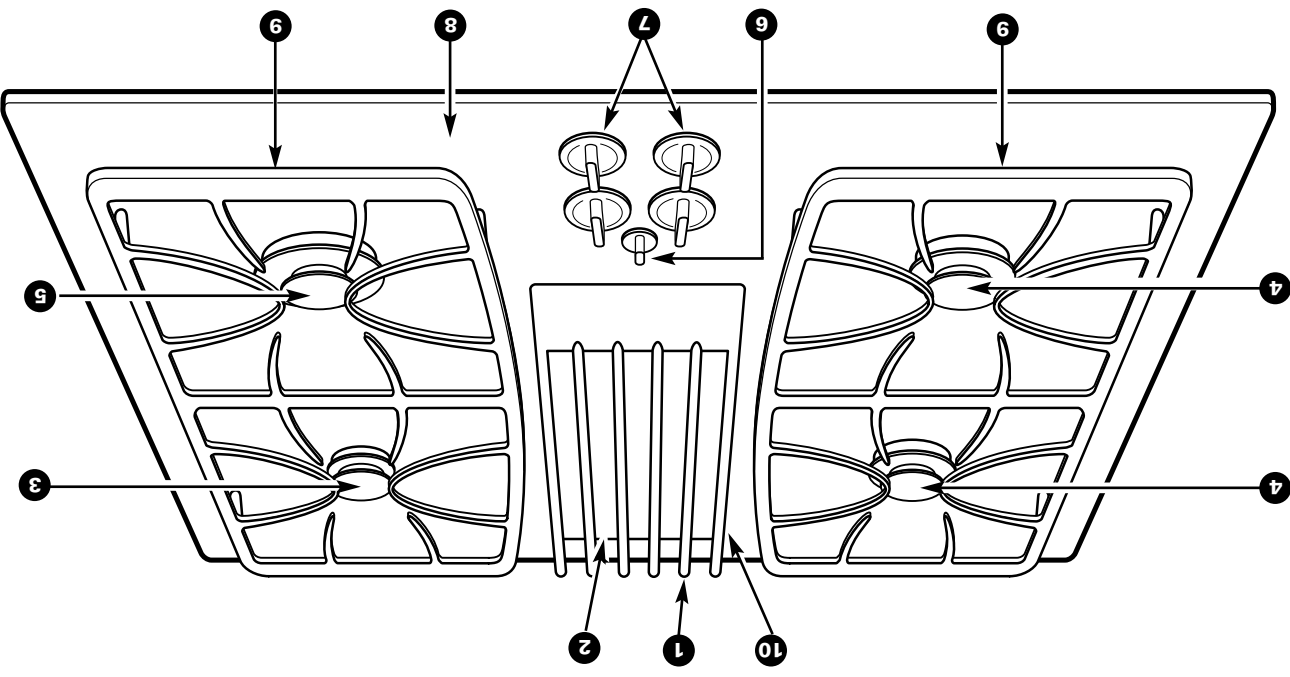
■ No opere el quemador por un periodo de tiempo extendido sin haber

colocado una sartén sobre la patilla. El acabado de la patilla podría desportillar sin una sartén que absorba el calor.

■ Cerciórese de que los quemadores y las patillas están firmes antes de colocar sus manos, un guante de sartenes, un tapo o cualquier otro material sobre ellos.

Características de su estufa.

A través de este manual, las características y la apariencia podrían variar de acuerdo con su modelo.



Índice de características		Explicado en la página
1	Parrilla de ventilación	12
2	Filtro de ventilación (localizado debajo de la parrilla de ventilación)	12
3	Cocinador a velocidad lenta a prueba de derramaduras	9, 11
4	Quemadores a prueba de derramaduras	9, 11
5	Quemador a prueba de derramaduras de alto poder	9, 11
6	Control de ventilación	10
7	Controles de quemador de superficie	9
8	Superficie de cocinado de vidrio	13, 14
9	Parrillas quemadoras de fundición de hierro	12
10	Junta de la parrilla de ventilación	12, 13, 14

Instrucciones de seguridad

Instrucciones de operación

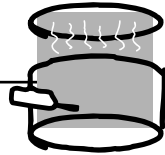
Cuidado y limpieza

Solución e identificación de averías

Apoyo al consumidor

Ajuste el tamaño de la llama del quemador de forma que no se extienda más allá del extremo de la pieza de cocina. Las llamas excesivas son peligrosas.

QUEMADORES DE SUPERFICIE



- No deje artículos plásticos sobre la estufa— se podrían derretir si se dejan demasiado cerca de la ventana de ventilación.
 - Mantenga todos los objetos de plástico alejados de los quemadores de superficie.
 - Si huele gas, suspenda el gas hacia la estufa y llame a un técnico de servicio calificado. Nunca use una llama abierta para localizar una fuga.
 - Para evitar la posibilidad de una quemadura, siempre esté seguro de que los controles de todos los quemadores están en la posición de apagado (OFF) y de que todas las parrillas están frías antes de removerlas.
 - Nunca limpie la superficie de la estufa cuando esta caliente. Algunos limpiadores
- Pueden causar gases nocivos y tapos húmedos podrían causar quemaduras de vapor si son usados en superficies calientes.
 - Nunca deje latas o envases de grasa rebosando por los bordes encima o próximo a su estufa.
 - No use papel aluminio debajo de las parrillas del quemador. El mal uso podría resultar en peligros de incendios o daños a la estufa.
 - No cubra o bloquee el área alrededor de los botones de la estufa. Esta área debe permanecer libre para tener la ventilación apropiada y para el rendimiento del quemador.
 - Limpie solamente las partes indicadas en el Manual del propietario.

COCINE BIEN LAS CARNES Y LAS CARNES DE AVE...

Cocine totalmente las carnes y las carnes de ave—cocine la carne a una temperatura INTERNA de por lo menos 160 °F y las carnes de ave a una temperatura INTERNA de 180 °F. Cocinar a estas temperaturas generalmente lo protege contra enfermedades contenidas en las carnes.



CÓMO CONVERTIR LA ESTUFA A GAS LP (o convertir de vuelta a gas natural de LP)

Esta estufa deja la factoría lista para ser usada con gas natural.

Si usted quiere convertir a gas LP, la conversión debe ser llevada a cabo por un técnico de gas LP calificado.



Las instrucciones de conversión, la etiqueta de conversión y los orificios LP pueden encontrarse pegados en la estufa próximo al regulador de presión.

Existe un segundo juego de instrucciones incluidas en el sobre conteniendo los diagramas de alambrado del producto en el lado de la estufa. Mantenga estas instrucciones en los orificios en caso de que desee convertir la estufa otra vez a gas natural.

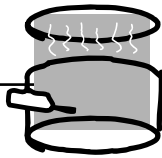
LEA Y SIGA ESTA INFORMACIÓN DE SEGURIDAD CUIDADOSAMENTE.

GUARDE ESTAS INSTRUCCIONES



INSTRUCCIONES DE SEGURIDAD IMPORTANTES. LEA TODAS LAS INSTRUCCIONES ANTES DE USAR.

!ADVERTENCIA! QUEMADORES DE SUPERFICIE



Use sartenes de tamaño apropiado—evite sartenes que no sean estables o que se volteen fácilmente. Seleccione sartenes que tengan el fondo lo suficientemente plano como para cubrir las parrillas. Para evitar derrames, cerciórese que su sartén es lo suficientemente grande para contener sus alimentos. Setos le ahorrará tiempo de limpieza y evitará acumulaciones peligrosas de alimentos, ya que salpiqueos pesados o derrames dejados en la estufa se podrían incendiar. Use sartenes que se puedan agarrar fácilmente y que permanezcan frías.

- Siempre use la posición **LITE** cuando encienda los quemadores superiores y cerciórese de que los quemadores se han encendido.
 - Nunca deje los quemadores de superficie desatendidos en las selecciones altas. Los derrames debido a que un alimento hierva y se derrame podrían causar humo y derrames de grasa que podrían encenderse.
 - Use solamente sostenedores de sartenes secos—los húmedos o mojados cuando entran en contacto con superficies calientes podrían causar quemaduras debido al vapor. No deje que los sostenedores de sartenes entren en contacto con las unidades de superficie calientes de la unidad. No use una toalla u otras telas voluminosas. Estas telas se podrían encender al entrar en contacto con las superficies de la unidad.
 - Cuando use sartenes de vidrio, cerciórese de que estén diseñados para cocinar en estufas.
 - Para minimizar la posibilidad de quemaduras, de ignición de materiales inflamables y de derrames, la manija de la sartén u olla debe voltearse hacia el centro de la estufa sin extenderla sobre cualquier otra unidad de superficie cercana.
 - Siempre apague los controles de los quemadores de superficie antes de remover las sartenes.
 - Observe con cuidado los alimentos que se encuentran frito a selecciones de calor altas.
 - Siempre caliente grasa lentamente y vigílela mientras se calienta.
 - No deje ningún artículo sobre la estufa. El aire caliente de la ventilación podría encender artículos inflamables y
- Use un termómetro de grasa de profundidad siempre que sea posible para prevenir que la grasa se sobrecaliente más allá del punto de inflamación.
 - Nunca trate de mover una sartén que contenga grasa caliente, especialmente una sartén que contenga mucha grasa caliente. Espere hasta que la grasa se enfríe.
 - No queme alimentos sobre la estufa. Si quema alimentos bajo la campana, encienda el ventilador.
- Si se dispone a usar una combinación de aceites y grasas para cocinar, mézclelos antes de calentarlos, o derrita las grasas lentamente.
 - No use un wok en la superficie de cocinado si el wok tiene un aro metálico redondo que está colocado sobre la parrilla del quemador para soportar el wok. Este aro actúa como una tampa de calor, la que podría dañar la parrilla del quemador y la cabeza del quemador. Además, este puede causar que el quemador no funcione apropiadamente. Esto podría causar niveles de monóxido de carbono mayores de los permitidos por los estándares actuales, resultando en un peligro para la salud.
 - Los alimentos y las sartenes de freír deberían estar tan secos como sea posible. El hielo y la humedad en comidas frescas pueden causar un derrame de aceite.
 - Use poco aceite para una fritura efectiva no muy profunda. Llenar la sartén con demasiado aceite podría causar que ocurran derrames cuando los alimentos sean agregados.
 - Use un termómetro de grasa de profundidad siempre que sea posible para prevenir que la grasa se sobrecaliente más allá del punto de inflamación.
 - Nunca trate de mover una sartén que contenga grasa caliente, especialmente una sartén que contenga mucha grasa caliente.
 - Espere hasta que la grasa se enfríe.
 - No queme alimentos sobre la estufa. Si quema alimentos bajo la campana, encienda el ventilador.

Instrucciones de seguridad

Instrucciones de operación

Cuidado y limpieza

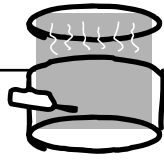
Solución e identificación de averías

Apoyo al consumidor

UNIDADES DE SUPERFICIE RADIANTE (en algunos modelos)

Sea cuidadoso cuando toque la estufa. La superficie de vidrio de la estufa se mantendrá caliente después de que los controles se hayan apagado.

- Limpie la estufa con precaución. Si una esponja húmeda o un trapo es usado para limpiar derrames en unidades de superficies calientes, tenga cuidado de evitar quemaduras causadas por el vapor. Algunos limpiadores pueden causar gases nocivos si son aplicados a superficies calientes.
- **NOTA:** Recomendamos que evite pasar trapos sobre el área de cualquier unidad de superficie hasta que estén frías y la luz indicadora se haya apagado. Derrames de azúcar son la excepción en estos casos. Por favor, ver la sección *Como limpiar el vidrio de la estufa*.
- Cuando la estufa esté fría, use solamente el limpiador para cerámicas de estufas CERAMA BRYTE® y la almohadilla de limpieza CERAMA BRYTE® para limpiar la estufa.
- Para evitar posibles daños a la superficie de cocinado, no aplique cremas de limpieza cuando la superficie de vidrio esté caliente.
- Después de la limpieza, use un trapo seco o una toalla de papel para remover todos los residuos de la crema de limpieza.
- Lea y siga todas las instrucciones y las advertencias en las etiquetas de la crema de limpieza.
- Evite rasguñar la estufa de vidrio. La estufa puede rasguñarse con objetos como instrumentos filosos, anillos u otras joyas y remaches en ropa o tela.
- Rasguñaduras grandes o impactos a la estufa de vidrio puede terminar en vidrio roto.
- No opera las unidades de vidrio de la estufa si el vidrio esta roto. Derrames o solución de limpieza podría penetrar el vidrio roto y causar riesgos de una descarga eléctrica. Póngase en contacto con un técnico calificado inmediatamente si el vidrio de su estufa se rompe.
- Nunca use una estufa de superficie como una superficie de corte.
- No intente colocar o almacenar artículos que se puedan derretir o encenderse en la superficie de vidrio de la estufa, aún cuando ésta no está siendo usada.
- Sea cuidadoso cuando coloque cucharas u otros utensilios sobre la estufa de superficie de vidrio cuando no esté en uso. Se podrían calentar y causar quemaduras.



INSTRUCCIONES DE SEGURIDAD IMPORTANTES. LEA TODAS LAS INSTRUCCIONES ANTES DE USAR.

PRECAUCIONES DE SEGURIDAD



- **PRECAUCIÓN:** No deberán guardarse objetos que puedan ser de interés para los niños en los gabinetes que se encuentran sobre la cubierta. Los niños que se suban a la estufa para alcanzar algún artículo pueden lesionarse gravemente.
- Siempre mantenga los utensilios de madera o de plástico y los alimentos enlatados a una distancia segura de la estufa.
- Siempre mantenga las paredes combustibles (que se puedan incendiar), cortinas o cubiertas a una distancia segura de la estufa.
- Nunca use ropa demasiado floja o que tenga piezas que le cuelguen mientras esta usando electrodoméstico. Los materiales inflamables se podrían incendiar si se ponen en contacto con las unidades de superficie calientes y podrían causar quemaduras severas.
- Enseñe a los niños a no jugar con los controles o cualquier otra parte de la estufa.

▲ ADVERTENCIA: NUNCA use este electrodoméstico como calentador para calentar la habitación. Hacerlo podría provocar envenenamiento por monóxido de carbono y el sobrecalentamiento del horno.

- Siempre mantenga las toallas de limpiar platos, los guantes de agarrar sartenes calientes y cualquier otro tipo de material que se pueda quemar, a una distancia segura de su estufa.
- No almacene las sartenes inflamables en las proximidades de su estufa.
- No almacene o use materiales combustibles, gasolina u otros vapores inflamables y líquidos en las proximidades de este o cualquier otro electrodoméstico.
- No permita que grasa de cocinar u otros materiales inflamables se acumulen sobre la estufa.
- No opere el quemador sin todas las partes del quemador colocadas en su lugar.
- No coloque sartenes calientes en el vidrio de la estufa. Esto podría causar que el vidrio se agriete.
- No limpie la estufa con fluidos de limpieza volátiles o inflamables.
- No limpie la estufa cuando el electrodoméstico está en uso.
- Evite rasguñar la estufa de vidrio. La estufa puede rasguñarse con objetos como instrumentos filosos, anillos u otras joyas y remaches en ropa o tela.

Instrucciones de seguridad

Instrucciones de operación

Cuidado y limpieza

Solución e identificación de averías

Apoyo al consumidor

- Nunca use una estufa de superficie como una superficie de corte.
 - No use agua sobre fuegos de grasa. Nunca agarre una sartén que se encuentre en llamas. Apague los controles. Ahogue una sartén en llamas sobre una unidad de superficie cubriendo la sartén completamente con una tapa que le encaje bien, con una patrilla de hacer dulces o con una bandeja plana. Use un químico seco multipropósitos o un extintor tipo espuma.
 - La grasa en llamas fuera de una sartén se puede apagar cubriéndola con bicarbonato o, si lo tiene disponible, usando un químico seco multipropósitos o un extintor tipo espuma.
- ADVERTENCIA:** Para reducir el riesgo de incendio, choque eléctrico o lesiones a las personas, vigile lo siguiente:
- A. Use esta unidad solamente en la manera en que el fabricante anti tipo que se utilice. Si tiene alguna pregunta, póngase en contacto con el fabricante.
 - B. Antes de proporcionar servicio a la unidad, desconecte el suministro eléctrico en el panel de servicio.
 - C. Cuando se encuentre cortando o taladrando en la pared o en el techo, no dañe los alambres eléctricos u otras utilidades escondidas.
 - D. Los ventiladores conectados a conductos deben siempre estar ventilados hacia el exterior.
 - E. Para reducir el riesgo de incendios, use solamente conductos metálicos.
 - F. No quemar alimentos sobre la estufa. Si quema alimentos bajo la campana, encienda el ventilador.

- ADVERTENCIA:** Para reducir el riesgo de incendio debido a la presencia de grasa en la estufa:
- A. Mantenga el ventilador, los filtros y la superficies expuestas a aceite limpias.
 - B. Siempre encienda (ON) el ventilador cuando cocine en calor alto.
 - C. Use las selecciones altas en su estufa solamente cuando sea necesario. Caliente los aceites lentamente en selecciones de medias a bajas.
 - D. No deje la estufa sin la atención.
 - E. Siempre use sartenes y utensilios apropiados para el tipo de alimento que se encuentra preparando.

PRECAUCIÓN: Para ventilación general solamente. No use para deshacerse de materiales explosivos peligrosos y vapores.

INSTRUCCIONES DE SEGURIDAD IMPORTANTES. LEA TODAS LAS INSTRUCCIONES ANTES DE USAR.

Instrucciones de seguridad

¡ADVERTENCIA! Por su seguridad, la información en este manual debe ser obedecida para minimizar el riesgo de incendio o explosión, descarga eléctrica, o para prevenir daños a la propiedad, lesiones personales, y pérdida de vidas.

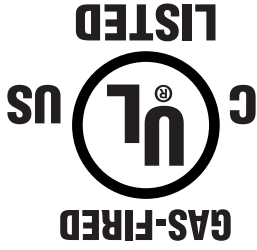
ADVERTENCIA: Si no se sigue con precisión la información en este manual, un incendio o explosión puede resultar causando daños a la propiedad, heridas personales o muerte.

— No guarde ni use gasolina u otros vapores o líquidos inflamables cerca de este o cualquier otro aparato.

SI HUELE A GAS

- No trate de encender ningún aparato.
- No toque ningún interruptor eléctrico; no use ningún teléfono en su edificio.
- Llame inmediatamente a su abastecedor de gas del teléfono de su vecino. Siga las instrucciones del abastecedor de gas.
- Si no puede comunicarse con su abastecedor de gas, llame al cuerpo de bomberos.

— La instalación y el servicio deben ser efectuados por un instalador calificado, la agencia de servicio o el abastecedor de gas.



Apoyo al consumidor

Solución e identificación de averías

Cuidado y limpieza

Instrucciones de operación



Estufa

de gas de ventilación descendente (downdraft)

ge.com

Instrucciones de seguridad 2-7

Instrucciones de operación 8

Características de su estufa 8

Cómo usar la estufa 10

Quemadores a gas 9

Sistema de ventilación de la estufa 10

Cuidado y limpieza

Botones de control 13

Ensambladuras del quemador sellado 11

Filtro de ventilación 12

Parrillas del quemador y rejilla

de ventilación 12

Superficie de vidrio 13, 14

Tapas y cabezas del quemador 11

Instrucciones de instalación

Cómo desempacar la estufa 16, 24

Cómo instalar la estufa 25-28

Cómo instalar la junta 24

Conexiones eléctricas 23, 28, 29

Ensambladura final 30

Índices de soplado de escape 21

Precauciones de seguridad 15

Preparación 17-19

Red de conductos 19-22, 27

Ideas sobre la identificación

y solución de averías 31, 32

Apoyo al consumidor

Apoyo al consumidor 36

Garantía 35

Escriba el número de modelo y

de serie aquí:

Modelo # _____

Serie # _____

Encuentre estos números en una etiqueta debajo de la estufa, en el lado de la cámara de ventilación.

**Manual del propietario
e Instrucciones
de instalación**

JGP989



49-80388-1 10-06 JR