

Installation Instructions

Commercial Clothes Washer

32

If you have questions, call 800-GECARES or visit our website at: www.GEAppliances.com



BEFORE YOU BEGIN

Read these instructions completely and carefully.

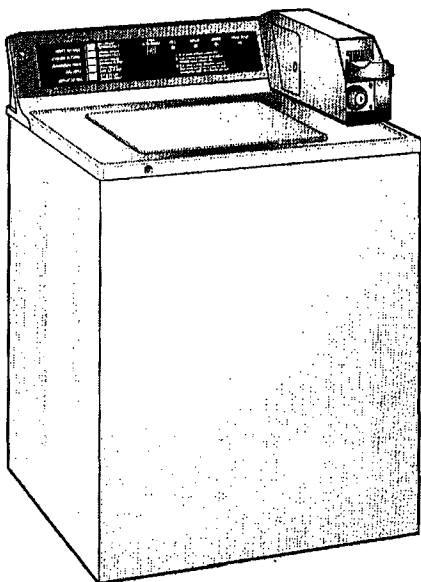
IMPORTANT — Observe all governing codes and ordinances.

- **Note to Installer** — Be sure to leave these instructions for the consumer's and local inspector's use.
- **Skill Level** — Installation of this commercial washer requires basic mechanical and electrical skills. **Proper installation is the responsibility of the installer. Product failure due to improper installation is not covered under the GE Appliance Warranty.**

IMPORTANT — If you received a damaged commercial washer, you should immediately contact your dealer or builder.

FOR YOUR SAFETY

Read and observe all **CAUTIONS** and **WARNINGS** shown throughout these instructions.



**READ CAREFULLY.
KEEP THESE INSTRUCTIONS.**

Pub. No. 31-15556
Dwg. No. 143B9310P032

N.D. 658-04 (7/03)

Installation Preparation

TOOLS YOU WILL NEED:

Socket set
Slip joint pliers

INSTALLATION REQUIREMENTS:

LOCATION

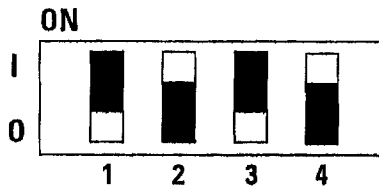
Washer must be installed on firm flooring to minimize vibration during spin cycles. Concrete flooring is best, but wood base is sufficient provided that floor support meets FHA standards. Washer should not be installed on rugs or carpet, be exposed to weather or temperatures below freezing.

PLUMBING

- **Water Pressure**—Must be 10 psi minimum to 150 psi maximum dynamic pressure measured at faucet.
- **Water Temperature**—Water heater should be set to deliver water at 120°F to 150°F (50°C to 66°C) IN THE WASHER when HOT wash is selected.
- **Shutoff Valves**—Both hot and cold shutoff valves (faucets) should be supplied.
- **Drain**—Water may be drained into a standpipe or set tub. The discharge height **MUST NOT BE LESS THAN 30 INCHES** nor more than 8 feet above the base of the washer. The standpipe must be 1-1/2 inches minimum inside diameter and must be open to the atmosphere.

COUNTDOWN DISPLAY (WCCD AND WLCD MODELS ONLY)

The countdown display shows the remaining time in the cycle. The display board is configured properly at the factory for the correct cycle timer installed in the washer. If you wish to change the cycle timer, or add a debit card interface to the washer, you will need to change the configuration setting of the countdown display board as follows.



	Switch Numbers			
	1	2	3	4
32 Minutes	1	1	0	0
25 Minutes	0	1	1	0
21 Minutes	1	0	1	0
Debit Card	0	0	0	0

ELECTRICAL AND PLUMBING REQUIREMENTS



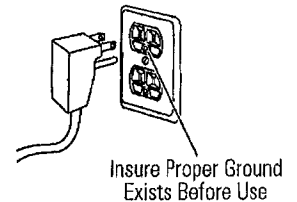
WARNING

- FOR PERSONAL SAFETY DO NOT USE AN EXTENSION CORD OR ADAPTER PLUG WITH THIS APPLIANCE.
- DO NOT, UNDER ANY CIRCUMSTANCE, CUT OR REMOVE THE THIRD GROUNDING PRONG FROM THE POWER CORD.
- FOLLOW NATIONAL ELECTRIC CODE ANSI/NFPA 70 OR LOCAL CODES AND ORDINANCES.

ELECTRICAL PREPARATION

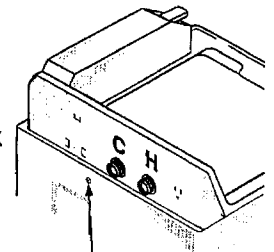
This appliance must be supplied with 115V, 60 Hz, and connected to an individual, properly grounded branch circuit, protected by a 15 or 20 amp circuit breaker or fuse.

- If the electric supply provided does not meet the above specifications, call a licensed electrician.



GROUNDING INSTRUCTIONS

This appliance must be grounded. In the event of malfunction or breakdown, grounding will reduce the risk of electric shock by providing a path of least resistance for electric current. This appliance is equipped with a cord having an equipment-grounding conductor and a grounding plug. The plug must be plugged into an appropriate outlet that is properly installed and grounded in accordance with all local codes and ordinances.



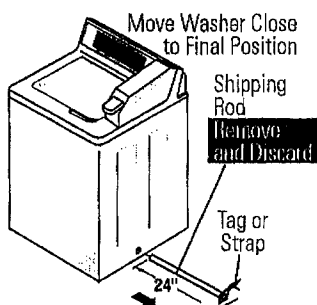
If required, an external ground wire (not provided) which meets local codes may be added. Attach to washer cabinet with sheet metal screw (not provided) to rear of washer as illustrated. The screw required is a #8 sheet metal screw, 18 threads per inch, 1/2 inch long. It can be obtained locally at any hardware store.

! WARNING: Improper connection of the equipment-grounding conductor can result in a risk of electric shock. Check with a qualified electrician if you are in doubt as to whether the appliance is properly grounded.

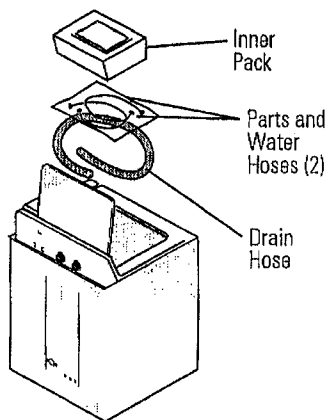
Installation Instructions

STEP 1 PREPARE WASHER FOR INSTALLATION

- Grasp shipping rod on lower right side (it has a tag or strap), and pull rod straight out and discard.



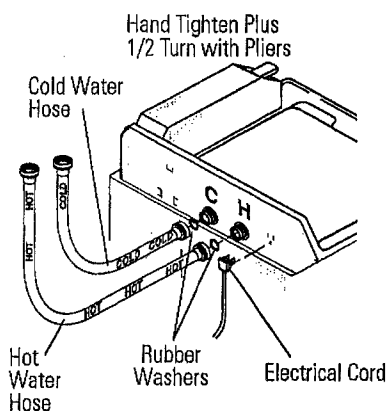
- Remove inner pack and installation accessories from under lid. Drain hose is in washer basket.



- Move washer to installation location for remaining hose and electrical preparation.

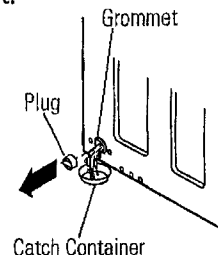
STEP 2 ATTACH FILL HOSES TO WASHER

Insert rubber washers into both ends of each fill hose. Attach fill hose marked HOT to hot washer inlet valve. Attach fill hose marked COLD to cold washer inlet valve. Couplings should be hand tightened plus 1/2 turn with pliers.

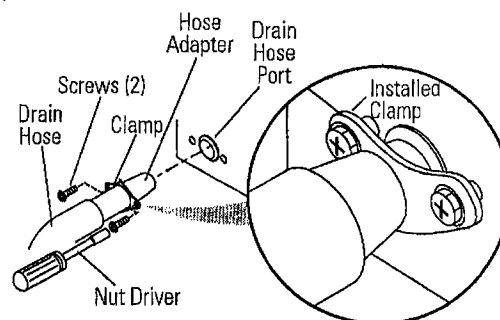


STEP 3 ATTACH DRAIN HOSE TO WASHER

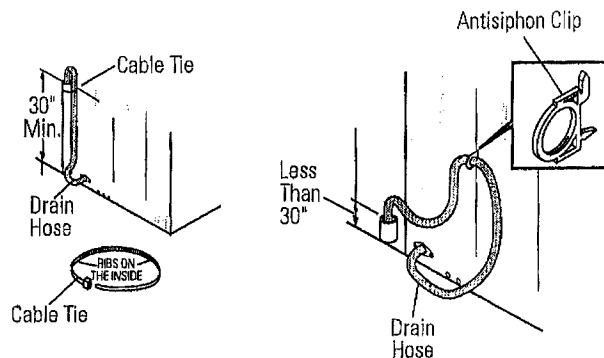
- Make certain all installation items have been removed from the washer basket.
- IMPORTANT:** Remove red plug from drain hose port.
NOTE: Some water may be present, this is normal.
- Locate plastic drain hose adapter. Place hose clamp over drain hose end. Insert drain hose adapter into bent end of drain hose. Position clamp to secure hose adapter to drain hose. Push plastic hose clamp over hose adapter into grooved slot.



- NOTE:** This requires some force to install, and has a positive click when forced into port. A positive click will ensure that the proper amount of force has been applied.



- Push plastic conical end of drain hose adapter into washer drain hose port. Insert two screws found in installation pack, and drive screws to mount drain hose to washer.

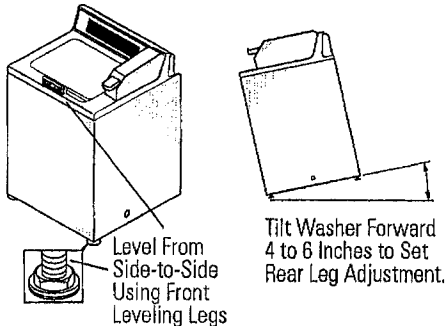


- NOTE:** If drain hose facility does not meet the 30" minimum standpipe height requirement, thread drain hose through supplied antisiphon clip and mount to cabinet back as shown. Mount antisiphon clip by inserting top clip into top mounting hole and snap second clip into position.

Installation Instructions

STEP 4 ADJUST LEVELING LEGS

- Place level on front top edge of washer.
- Adjust front leveling legs until washer is level from side-to-side. Remove level.
- Tilt washer forward (pivot on front legs) 4 to 6 inches. This action will set rear leg adjustments to correspond to front setting.
- Gently set washer back down.



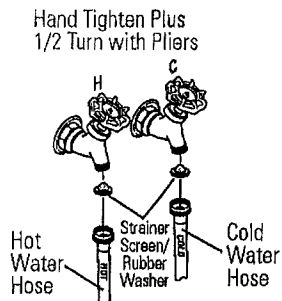
STEP 5 INSTALL FILL HOSES

- Be sure water supply lines have been thoroughly flushed.
- Move washer to final location. DO NOT let fill or drain hoses drag and get under washer.



CAUTION – BE SURE FILL HOSES ARE FIRMLY SECURED TO FAUCETS.

- Determine which is the HOT water line before attaching fill hoses to faucets. Traditionally, HOT faucet is on the left. Be sure rubber washers are in both ends of washer fill hoses. Connect hose from inlet valve on washer (marked HOT) to hot faucet and connect hose from COLD inlet valve to cold faucet. Couplings should be hand tightened plus 1/2 turn with pliers.

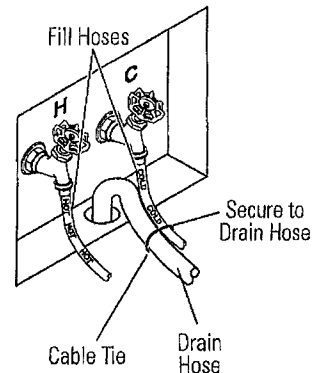


STEP 6 INSTALL DRAIN HOSE

- Insert one end of aluminum drain nozzle into standpipe.
- Slip or cut wire wrap back approximately 2" below top of standpipe.
- Cut drain hose just below standpipe. Place silver hose clamp over black drain hose end.
- Insert drain nozzle into end of drain hose, and position clamp to secure drain nozzle to drain hose.



- Install drain hose in drain facility and secure with cable tie strap provided as illustrated.



NOTE: Drain hose nozzle may be shortened if original length prevents full insertion into drain facility.



CAUTION – BE SURE DRAIN HOSE IS TAPED OR SECURED TO STANDPIPE OR OTHER DRAIN FACILITY.

NOTE: Water may be drained into a standpipe. The discharge height must not be less than 30 inches, nor more than 8 feet above base of washer. Standpipe must be 1-1/2" minimum inside diameter and must be open to atmosphere.

Installation Instructions

STEP 7 ECONOMY WATER USAGE

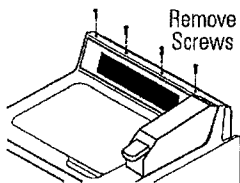
The pressure switch is set in the factory for the high water level and usage.

To change setting from high water level to medium or low:

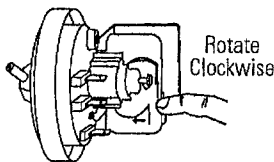


WARNING — MAKE SURE WASHER IS UNPLUGGED FROM ELECTRICAL OUTLET.

- Remove 4 torx screws from back of control panel and lay control panel front on cover.



- From the front, move white plastic cam on pressure switch in the clockwise position with your finger until it clicks over into the medium or low water position. (See illustration below.)



STEP 8 ELECTRICAL CONNECTION



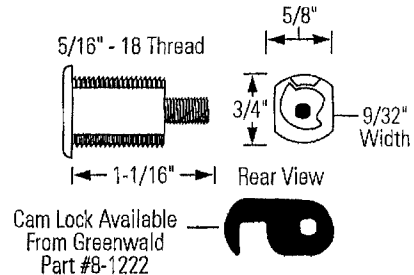
CAUTION — BEFORE PLUGGING IN APPLIANCE, READ ELECTRICAL AND PLUMBING REQUIREMENTS AND CHECK LIST.

Plug electrical power cord into a properly grounded wall outlet.

STEP 9 SPECIAL INSTRUCTIONS

COVER SECURITY LOCK INSTALLATION

Washer cover is designed to accept stud type lock as shown below.

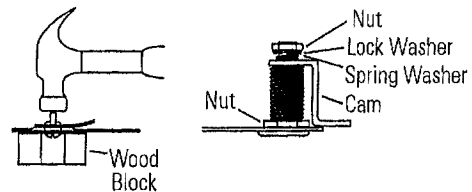


To install lock:

- Remove plastic insert in front of cover.
- Install the lock washer on the lock shaft and locate so that the lock can be engaged in a counterclockwise direction.
- Insert lock mechanism into cover opening and tighten until snug. (Overtightening may damage painted surfaces.)
- Install cam and tighten until snug.

ACCESS DOOR LOCK INSTALLATION

To remove the access door retainer before installing a lock, place the door over a wood block with a 1/2" hole drilled in it and tap end of screw lightly with a hammer.



Installation Instructions

STEP 10 CHECK LIST

Review this list after installing the washer to avoid a charge for a service call not covered by the warranty.

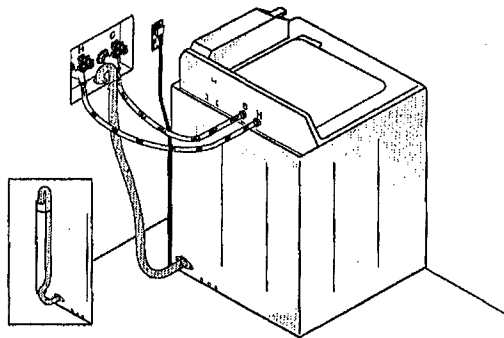
AFTER INSTALLATION CHECK THE FOLLOWING:

- Drain hose** must be pulled tight and secured to drain facility to prevent lifting out of drain facility during discharge. Nozzle clamp must be securely tightened to prevent leaks. **MAKE SURE DRAIN HOSE IS NOT RUBBING AGAINST CONCRETE OR BLOCK WALL. RUBBING MAY WEAR HOLES IN HOSE.**
- Hose Washers**—Rubber washers in both ends of fill hoses.
- Hose Connections**—Hot side (left valve) connected to hot water supply, cold side (right valve) to cold water supply. All connections should be hand tightened plus 1/2 turn with pliers.
- Grounding**—Must be properly grounded to conform to local codes and ordinances.
- Leveling**—Adjust front leveling legs as necessary (prelevelled from the factory at 1"). Check side to side and front to back. Tilt forward approximately 4" to adjust rear self-leveling legs.
- Operation**—Turn on faucets and run washer completely through cycle by hand. Check for leaks, noise, vibration, correct water temperatures and proper operation in wash and spin. While washer is in spin, raise lid and check lid switch and brake operation.

STEP 11 LITERATURE

- Be sure to leave complete literature package and installation instructions with consumer.

TYPICAL HOSE INSTALLATIONS:



Typical Completed Washer Assembly

WARNING

For your safety, the information in these instructions must be followed to minimize the risk of fire or explosion, electric shock, or to prevent property damage, personal injury, or loss of life.

WATER HEATER SAFETY

- Under certain conditions hydrogen gas may be produced in a water heater that has not been used for two weeks or more. Hydrogen gas can be explosive under these circumstances.
- If the hot water has not been used for two weeks or more, prevent the possibility of damage or injury by turning on all hot water faucets and allowing them to run for several minutes. Do this before using any electrical appliance which is connected to the hot water system. This simple procedure will allow any built-in hydrogen gas to escape. Since the gas is flammable, do not smoke or use an open flame or appliance during this process.

YOUR LAUNDRY AREA

- Keep the area underneath and around your appliances free of combustible materials such as lint, paper, rags, chemicals, etc.
- Close supervision is necessary if this appliance is used by or near children. Do not allow children to play on, with, or inside this or any other appliance.

WHEN USING THE WASHER

- Never reach into washer while it is moving. Wait until the machine has completely stopped before opening the lid.
- Do not mix chlorine bleach with ammonia or acids such as vinegar and/or rust remover. Mixing different chemicals can produce a toxic gas which may cause death.
- Do not wash or dry articles that have been cleaned in, washed in, soaked in, or spotted with combustible or explosive substances (such as wax, oil, paint, gasoline, degreasers, dry-cleaning solvents, kerosene, etc.). These substances give off vapors that may ignite or explode. Do not add these substances to the wash water. Do not use or place these substances around your washer or dryer during operation.
- The laundry process can reduce the flame retardancy of fabrics. To avoid such a result, carefully follow the garment manufacturer's wash and care instructions.
- To minimize the possibility of electric shock, unplug this appliance from the power supply or disconnect the washer at the household distribution panel by removing the fuse or switching off the circuit breaker before attempting any maintenance or cleaning. **NOTE:** Turning the Cycle Selector knob to an off position does NOT disconnect the appliance from the power supply.
- Never attempt to operate this appliance if it is damaged, malfunctioning, partially disassembled, or has missing or broken parts, including a damaged cord or plug.

WHEN NOT IN USE

- Turn off water faucets to relieve pressure on hoses and valves and to minimize leakage if a break or rupture should occur. Check the condition of the fill hoses; they should be replaced every 5 years.
- Before discarding a washer, or removing it from service, remove the washer lid to prevent children from hiding inside.
- Do not attempt to repair or replace any part of this appliance unless specifically recommended in these instructions or in published user-repair instructions that you understand and have the skills to carry out.
- Do not tamper with controls.

**READ AND FOLLOW THIS SAFETY INFORMATION CAREFULLY.
SAVE THESE INSTRUCTIONS**