

WBSR3000GWS

GE® 3.2 Cu. Ft. Super Plus Capacity Washer

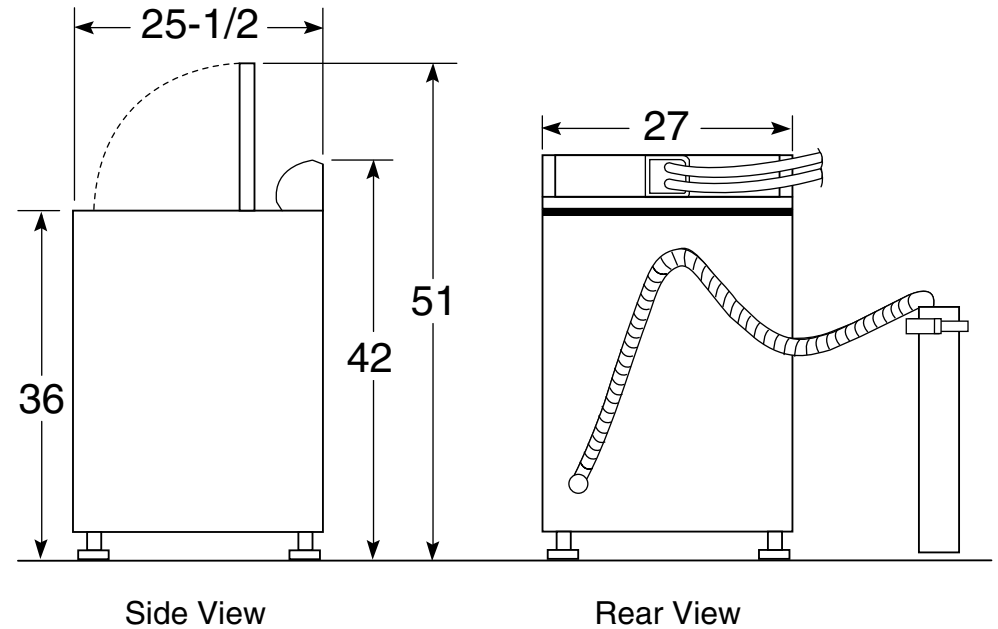
Dimensions and Installation Information (in inches)

Circuit Requirements: An individual, properly-grounded branch circuit, with a three-prong grounding-type receptacle, protected by a 15 or 20 amp circuit breaker or a time-delay fuse, is required.

Electrical Rating: 115V, 60Hz, 10A

Note: Washer wall outlet must be located within 36" of service code entry. Wall outlet must not be located behind dryer.

Installation Information: Before installing, consult installation instructions packed with product for current dimensional data.



For answers to your Monogram®, GE Profile™ or GE® appliance questions, visit our website at ge.com or call GE Answer Center® service, 800.626.2000.

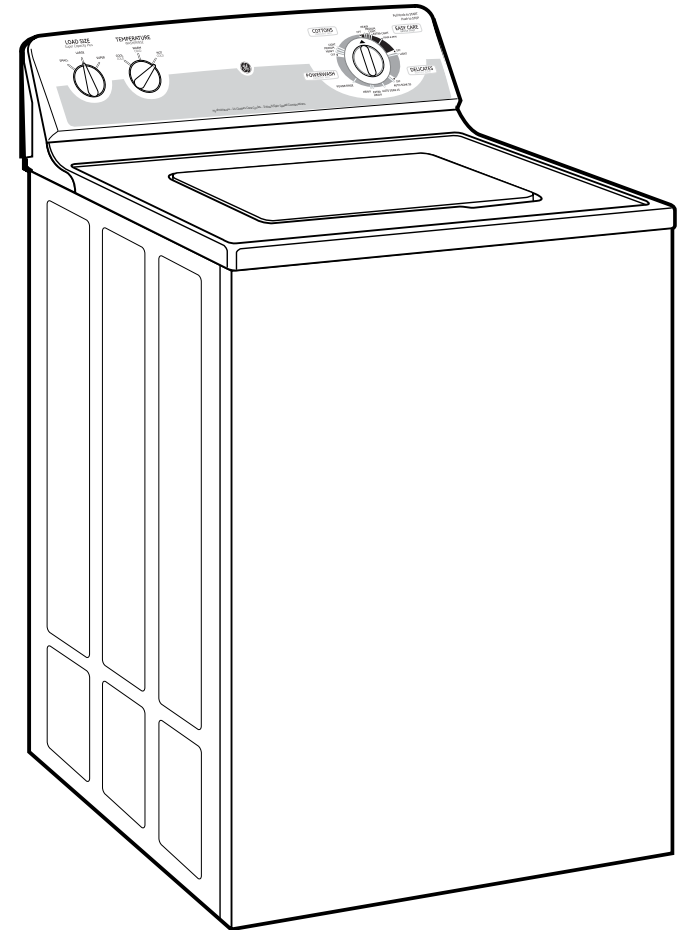


WBSR3000GWS

GE® 3.2 Cu. Ft. Super Plus Capacity Washer

Features and Benefits

- 3.2 Cu. Ft. Super Plus ExtrAction™ Wash Basket - Offers increased surface area to "squeeze" more water from clothes during the spin cycle, resulting in reduced dry times
- HydroWave™ Wash System - Has variable speeds to match the wash action to the clothing type. Longer, slower travel through the water improves cleaning performance and is gentler on your clothes
- Three Wash/Spin Speed Combinations - Alternate between high, medium and low speeds for better clothes care
- 14 Wash Cycles - A variety of fabric-specific settings, from Extra-Heavy Cottons to Easy-Care Colors
- Four Wash/Rinse Temperatures - Washer cleans at the exact temperature needed to remove dirt and reduce wear
- Three Water Levels - Minimize water waste
- Power Rinse™ Cycle - Removes ground-in dirt, excess detergent and bleach which can cause skin irritation. Removes ground-in dirt, excess detergent
- Auto Soak - Soaks dirty clothes for 15 or 30 minutes before the wash cycle, so there's no need for an extra cycle
- Bleach and Fabric Softener Dispensers - Solutions are automatically mixed with wash water for bright, soft-to-the-touch results
- Model WBSR3000GWS - White



imagination at work