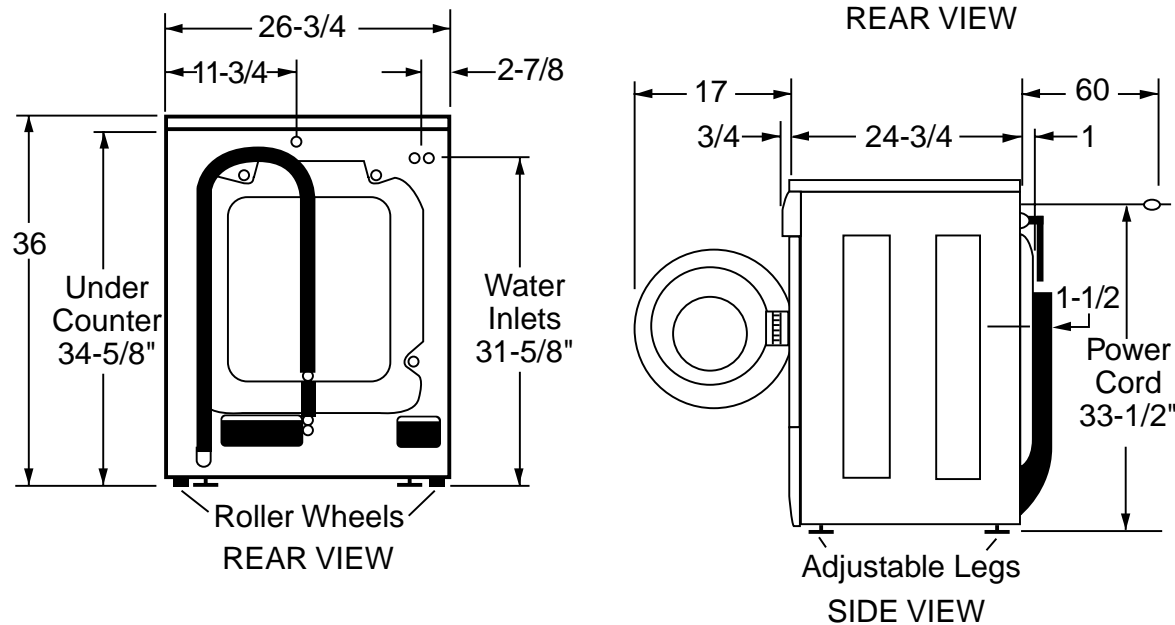




GE Appliances

WCCH404VWW – GE ENERGY STAR Commercial Front-Loading Washer

Washer Dimensions (in inches)



Electrical Requirement: 120Volts, 60 Hertz. An individual, properly grounded 20-amp branch circuit is required.

Note: Coin box requires assembly to washer, per enclosed installation instructions. Includes accumulator. Coin Slides, drops, or smart card accessory must be ordered from supplier separately.

Specification Revised 1/03



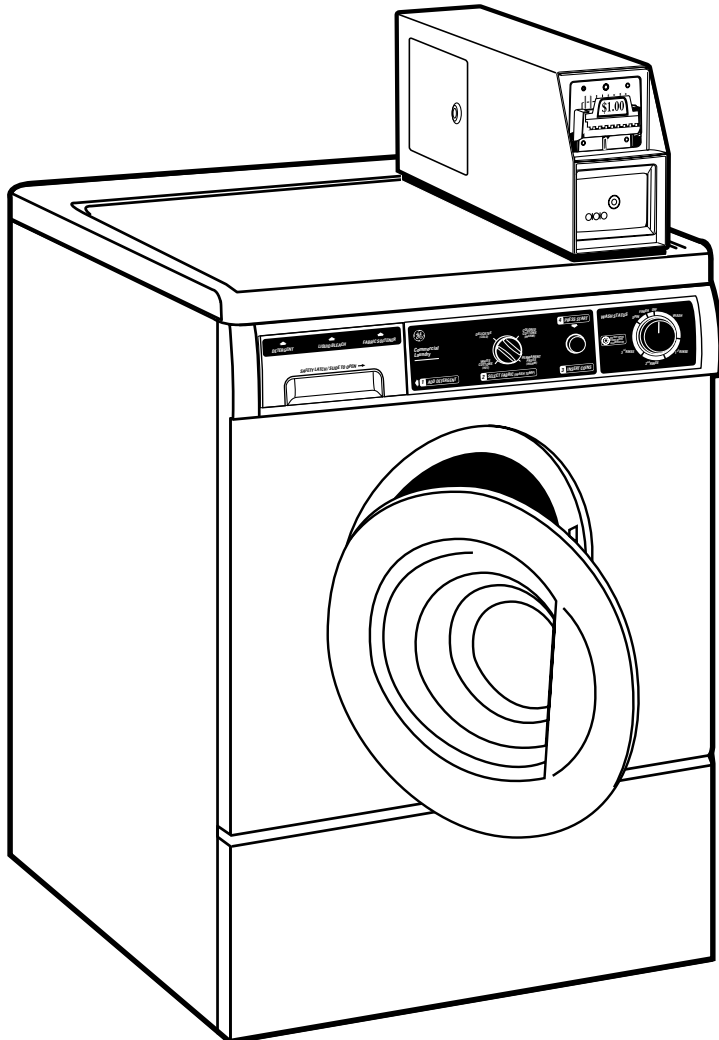
As an ENERGY STAR® Partner, GE has determined that this product meets the ENERGY STAR® guidelines for energy efficiency.

For answers to your Monogram®, GE Profile™ or GE appliance questions, visit our website at GEAppliances.com or call GE Answer Center® service, 800.626.2000.



GE Appliances

WCCH404VWW – GE ENERGY STAR Commercial Front-Loading Washer



Features and Benefits

- Extra-Large 2.7 cu. ft. Capacity
- ENERGY STAR Rated
- Easy-To-Use Controls
- 3 Wash/1 Rinse Temperature
- 4 Wash Cycles:
 - Regular Cotton: Whites & Colors; Permanent Press; Delicates
- Automatic Water Levels
- Detergent Dispenser
- Bleach Dispenser
- Glass Door
- Brushed Aluminum Control Panel with Black and Burgundy
- Stainless Steel Wash Drum
- Soft Mount Suspension System
- Model WCCH404VWW – White

Specification Revised 1/03