

WPRE8150K

GE Profile™ ENERGY STAR® 4.1 IEC* Cu. Ft. Colossal Capacity High-Efficiency Washer

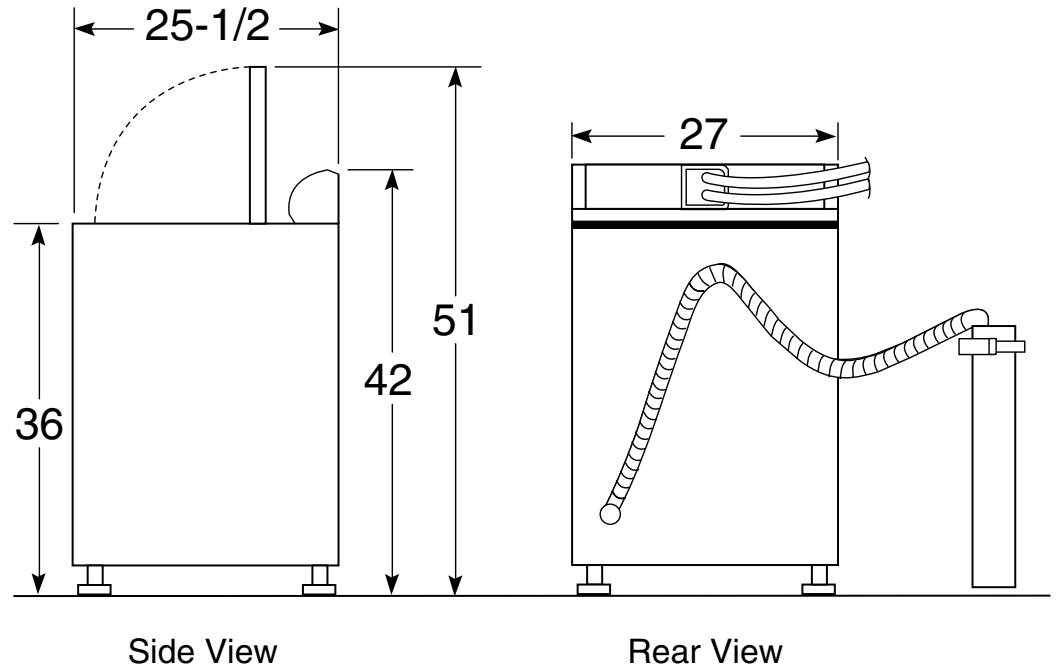
Dimensions and Installation Information (in inches)

Circuit Requirements: An individual, properly-grounded branch circuit, with a three-prong grounding-type receptacle, protected by a 15 or 20 amp circuit breaker or a time-delay fuse, is required.

Electrical Rating: 120V, 60Hz, 10A

Note: Washer wall outlet must be located within 36" of service code entry. Wall outlet must not be located behind dryer.

Installation Information: Before installing, consult installation instructions packed with product for current dimensional data.



For answers to your Monogram®, GE Profile™ or GE® appliance questions, visit our website at ge.com or call GE Answer Center® service, 800.626.2000.

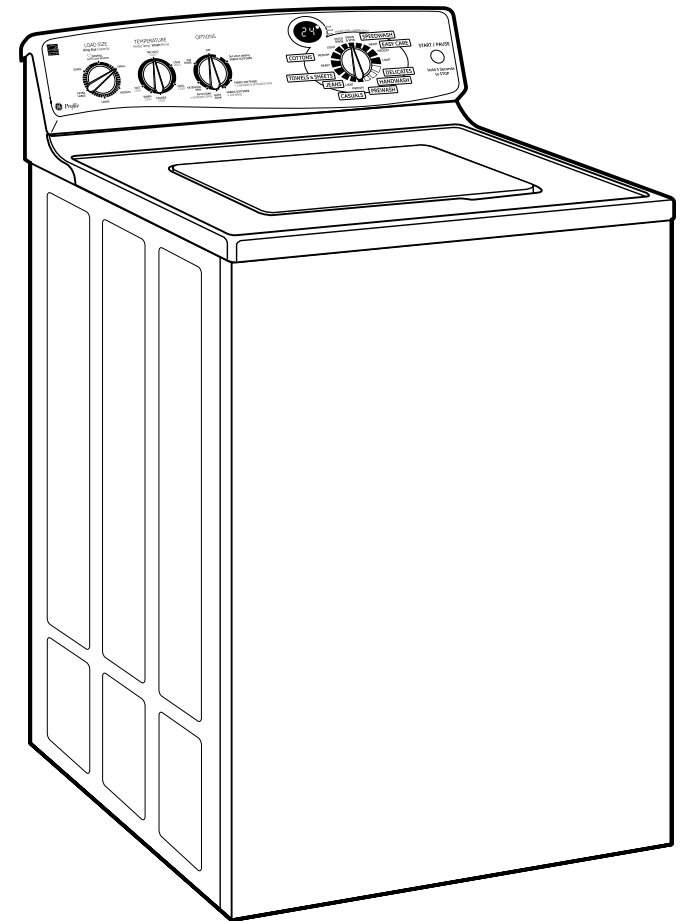


WPRE8150K

GE Profile™ ENERGY STAR® 4.1 IEC* Cu. Ft. Colossal Capacity High-Efficiency Washer

Features and Benefits

- ENERGY STAR® Qualified - Meets or exceeds federal guidelines for energy efficiency, which means year-round energy and saves money
- 4.1 IEC* Cu. Ft. Colossal Capacity - Makes room for more items which means less time doing laundry *Washes equivalent amount of clothes as a similar cu. ft. agitator machine per IEC 60456 Edition 4
- PreciseFill Auto-Load-Sensing Technology - Washer will automatically measure the load size and add just the right amount of water
- HydroWave with Infusor™ Wash System - Gently pulls fabrics through the water using a 540 degree motion
- 700 RPM Spin Speed - Fast spin speeds remove water efficiently and minimize dry time
- Specialty Cycles - Preset cycles provided for towels, sheets and jeans
- Multiple wash/spin speed combinations - Change speeds and match wash action to selected fabric type for great cleaning and clothes care
- RainShower™ Rinse System - Uses less water, providing clean rinse performance similar to a high-efficiency washer
- Multiple Wash Cycles - Delivers optimal cleaning results
- 6 Wash/Rinse Temperatures - Offer greater degree of control over fabric cleaning and care
- Variable Water Levels - Give you the option of adjusting the water levels to match load size, reducing water usage
- 2nd Rinse Option - Helps protect delicate fabrics and sensitive skin
- Extended Spin - Longer spin means less time drying
- Model WPRE8150KWT - White with silver backslash



Modified Energy Factor (MEF)	2.02
Water Factor (WF)	5.4



imagination at work

