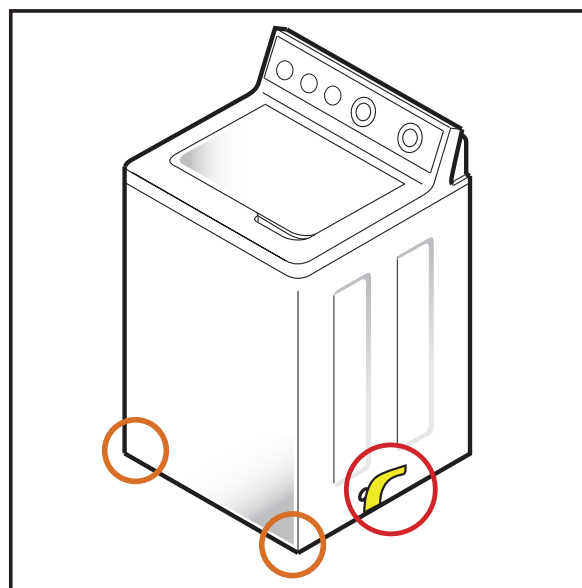




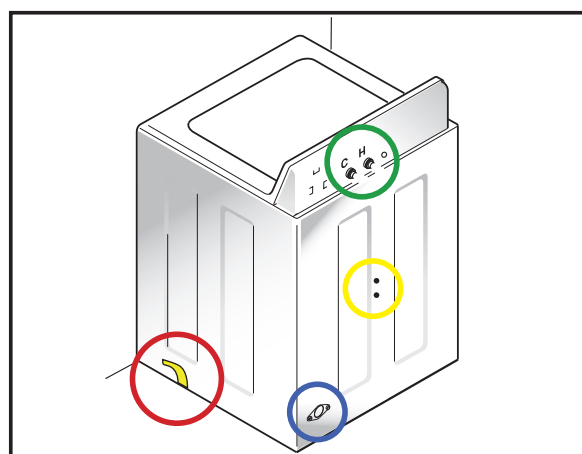
Installation Instruction - Quick Reference Guide

Dele la vuelta para instrucciones en español

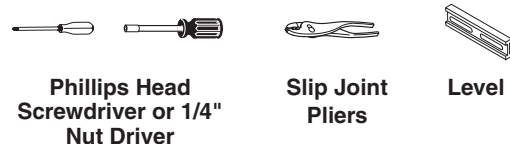
For the complete and detailed installation instructions as well as all safety concerns and warnings, please refer to the installation instructions manual.



Circles or ovals are color matched between pictures to help show location on product



Tools you will need

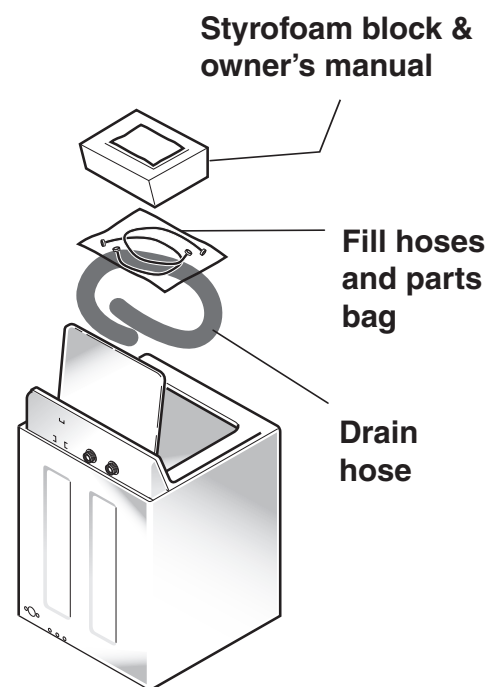


GROUNDING INSTRUCTIONS

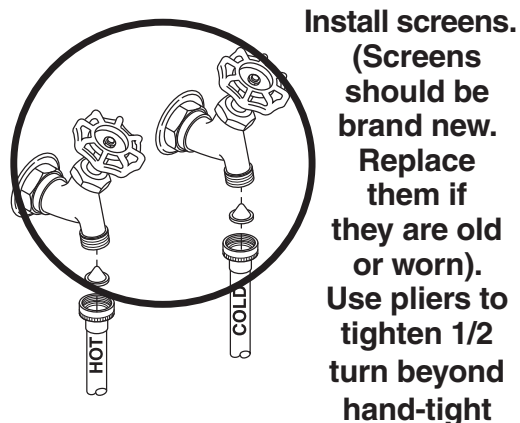
This appliance must be grounded. In the event of malfunction or breakdown, grounding should reduce the risk of electric shock by providing a path of least resistance for electric current. This appliance is equipped with a cord having an equipment-grounding conductor and a grounding plug. The plug must be plugged into an appropriate outlet that is properly installed and grounded in accordance with all local codes and ordinances.

WARNING — Improper connection of equipment-grounding conductor can result in a risk of electric shock. Check with a qualified electrician or serviceman if you are in doubt as to whether the appliance is properly grounded.

1. Unpack your washer



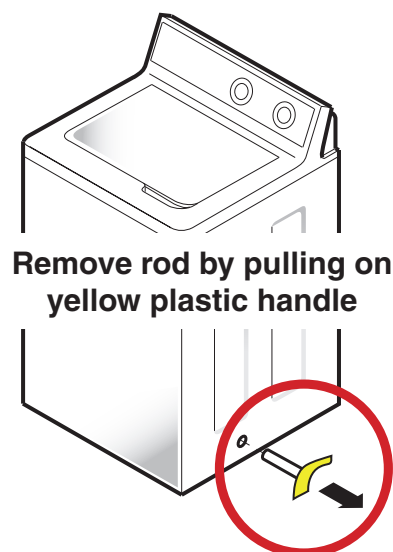
5. Connect water supply hoses to wall faucets



Avoid a Repair! Install screen washers; without them debris will clog the valve and flooding will occur

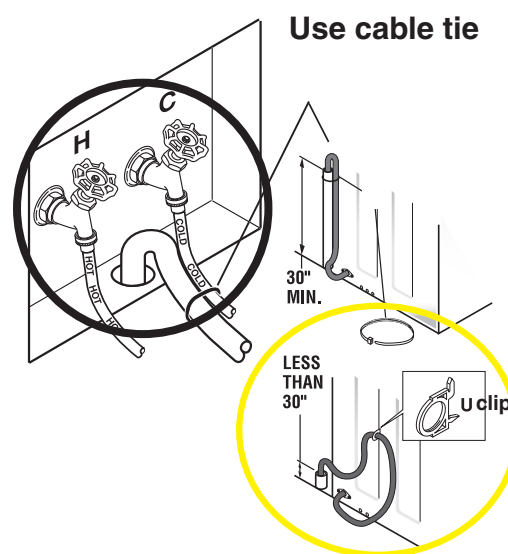
Avoid a Repair! Do not mix hot and cold water supplies. Mixing them will result in poor wash performance

2. Remove metal rod from bottom right



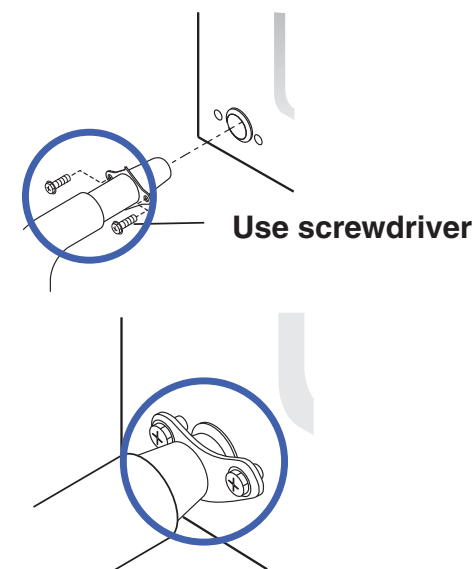
Avoid a Repair! Remove metal rod. Leaving rod in place WILL result in severe damage to the washer

6. Connect drain hose to drain opening



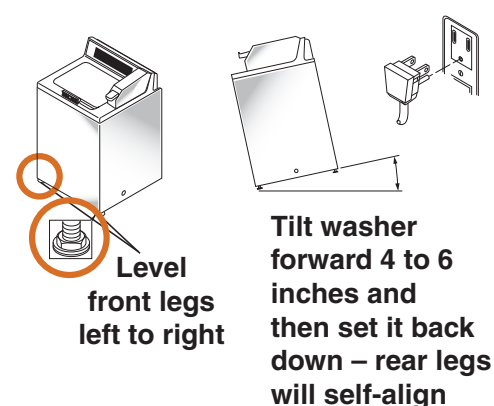
Avoid a Repair! Meet 30" drain hose height requirement. Less than 30" without U clip WILL NOT allow proper washer operation

3. Install drain hose to the back of the washer



Avoid a Repair! Use clamps and screws for drain hose installation; without them leaks and flooding may occur

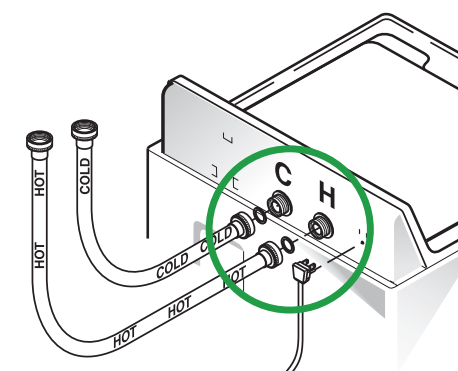
7. Level your washer and plug it in



Avoid a Repair! Ensure washer is properly leveled, otherwise damage WILL occur

Avoid a Repair! Ensure that washer is powered by 115V, 15 or 20 amp wall receptacle

4. Connect water supply hoses to back of washer

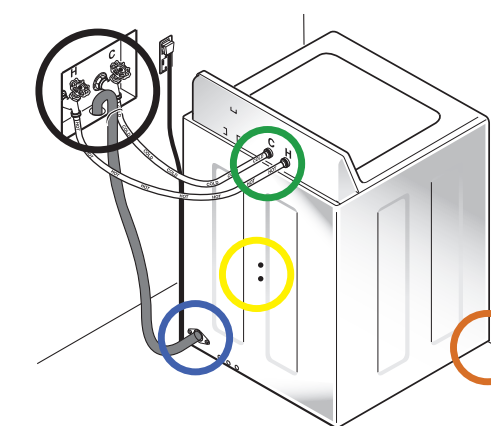


Install washers. (Washers should be brand new. Replace them if they are old or worn). Use pliers to tighten 1/2 turn beyond hand-tight

Avoid a Repair! Do not cross thread the water hoses and do not forget to install the washers. Flooding may occur

8. Installation complete!

Congratulations! Your installation is successful and complete. Refer to your Owner's Manual for operation instructions.



Avoid a Repair! Check for leaks after you turn on the water