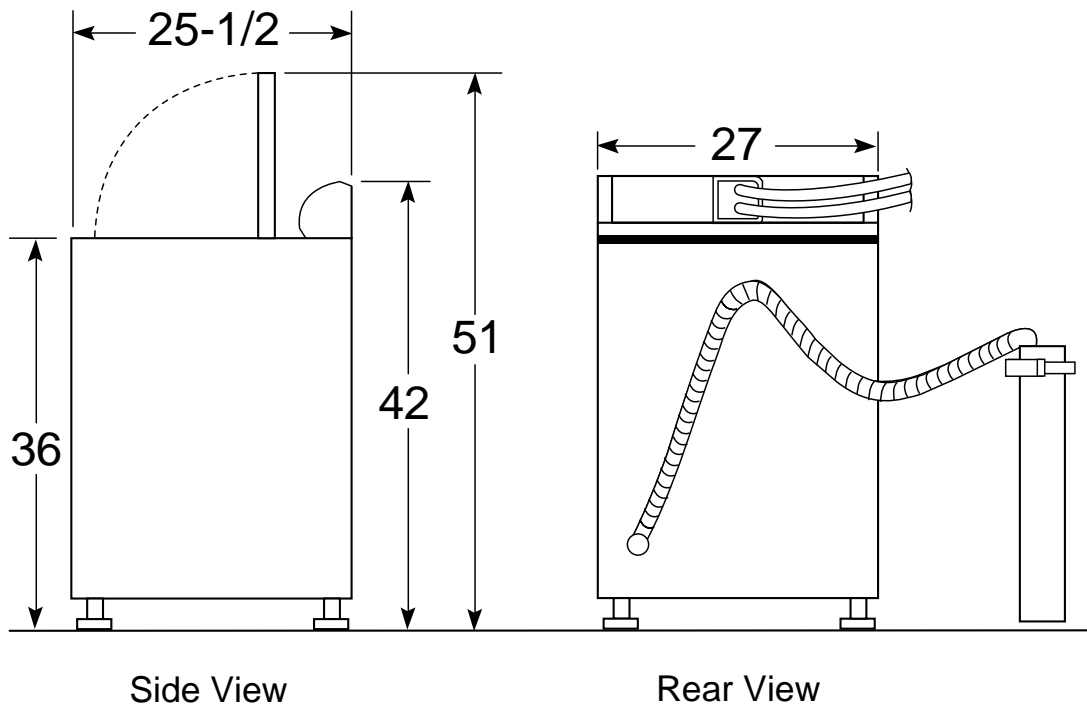




GE Appliances

## WSRE5260DWW – GE® Super 3.5 Cu. Ft. King-size Capacity Washer

Dimensions (in inches)



### Circuit Requirements:

An individual, properly-grounded branch circuit, with a three-prong grounding-type receptacle, protected by a 15 or 20 amp circuit breaker or a time-delay fuse, is required.

### Electrical Rating:

115V, 60Hz, 10A

### Washer Note:

Washer wall outlet must be located within 36" of service cord entry. Wall outlet must not be located behind dryer.

### Installation Information:

For complete information, see installation instructions packed with your washer.

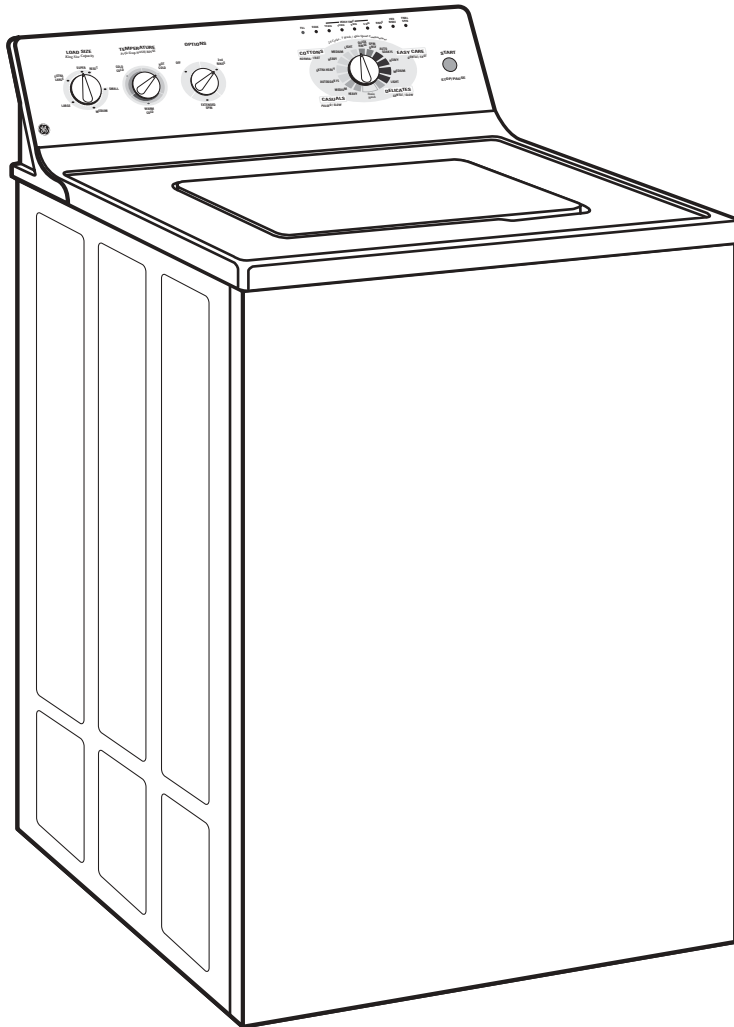


For answers to your Monogram®, GE Profile™ or GE® appliance questions, visit our website at [GEAppliances.com](http://GEAppliances.com) or call GE Answer Center® service, 800.626.2000.



**GE Appliances**

## **WSRE5260DWW – GE® Super 3.5 Cu. Ft. King-size Capacity Washer**



### **Features and Benefits**

- Rotary electronic controls with cycle status lights – Make it easy to select and monitor wash cycles.
- Five wash/spin speed combinations – Speeds are matched to fabric type for better clothes care.
- 26 wash cycles – Delivers excellent cleaning results.
- Stain Wash Cycle – Tackles the toughest stains, from fresh grass marks to food spills.
- PerfectTemp – Regulates wash water temperatures for proper fabric care.
- Bleach and fabric softener dispensers – Solutions are automatically mixed with wash water for bright, soft-to-the touch results.
- Auto Soak (Locked) – Soaks dirty clothes for 15 minutes before the wash cycle, so there's no need for an extra cycle.
- Auto 2nd Rinse – Helps to protect delicate fabrics and sensitive skin.
- Extended Spin – Longer spin means less time drying.
- Model WSRE5260DWW – White on white