

GTS18TBS

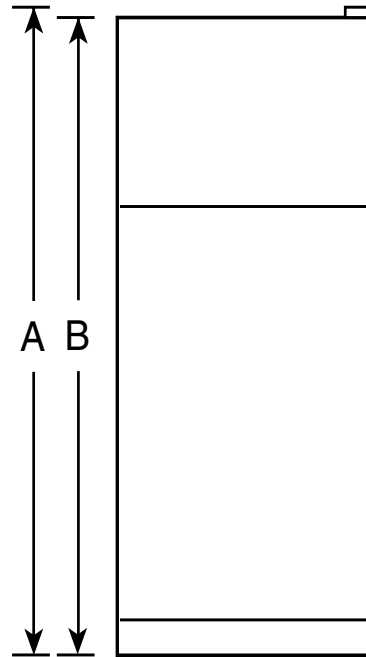
GE® 18.0 Cu. Ft. Top-Freezer Refrigerator

Dimensions and Installation Information

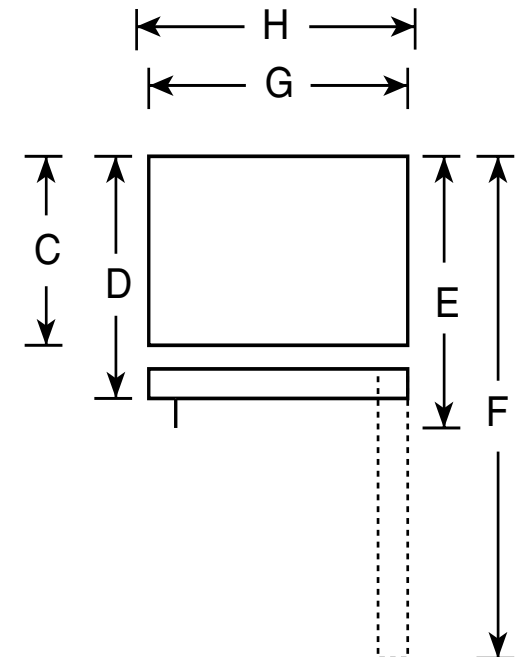
Overall Dimensions	Height to top of hinge (in.) A	66
	Height to top of case (in.) B	65-3/8*
	Case depth without door (in.) C†	28
	Case depth less door handle (in.) D†	30-3/4
	Case depth with door handle (in.) E†	33
	Depth with fresh food door open 90° (in.) F†	58-3/8
	Width (in.) G	29-3/4
	Width with door open 90° inc. door handle (in.) H	31-7/8
Air Clearances	Each side (in.)	3/4
	Top (in.)	1
	Back (in.)	1

*Height to mid-freezer (in.): 53-3/8

Front View



Top View



For answers to your Monogram®, GE Profile™ or GE® appliance questions, visit our website at ge.com or call GE Answer Center® service, 800.626.2000.

Dimension and installation information are shown in inches.



imagination at work



Listed by
Underwriters
Laboratories



Specification Revised 1/07

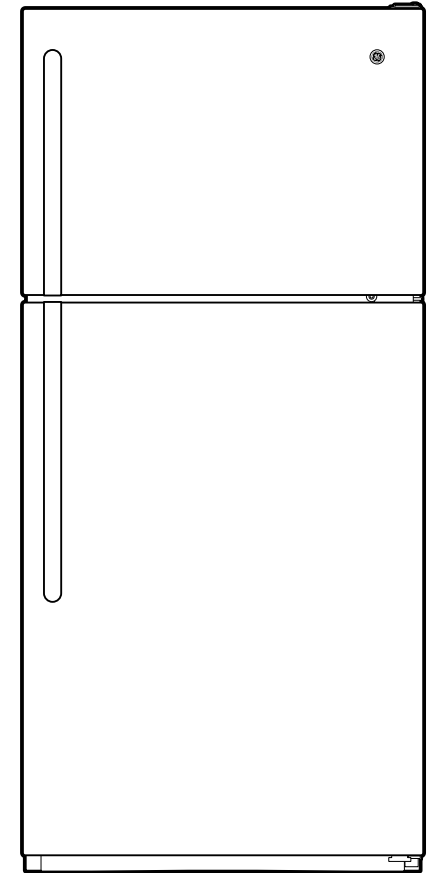
310320

GTS18TBS

GE® 18.0 Cu. Ft. Top-Freezer Refrigerator

Features and Benefits

- Upfront Illuminated Temperature Controls - Easy to see and set
- Adjustable Glass Shelves - Lets consumers maximize useable storage space
- Clear Vegetable/Fruit Crisper - Easy storage for your fruits and vegetables
- Snack Pan - Helps keep everyday foods fresh
- Spillproof Freezer Floor - Seamless design offers easy cleanup
- Gallon Door Storage - Makes room for milk and any other gallon size containers
- NeverClean™ Condenser - Condenser coils are encased, so they don't require cleaning in normal operating environments
- Deluxe Quiet Design - Significantly reduces operating noise
- Model GTS18TBSWW - White on white
- Model GTS18TBSCC - Bisque on bisque
- Model GTS18TBSBB - Black on black



imagination at work