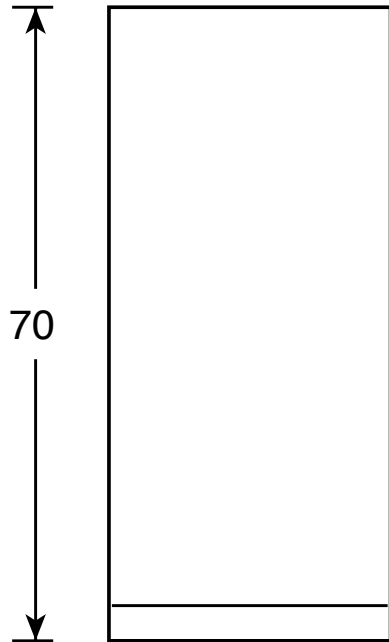


# FUM21DT

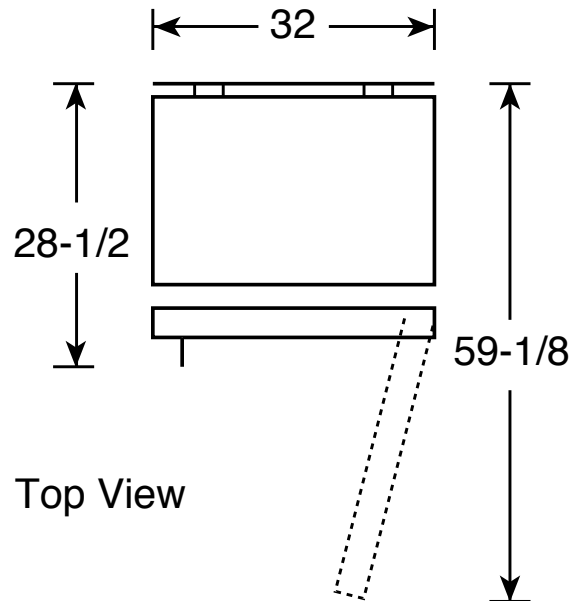
## GE® 20.6 Cu. Ft. Manual Defrost Upright Freezer

### Dimensions and Installation Information (in inches)

Front View



Top View



Air Clearance	
Each side (in.)	3
Top (in.)	3
Back (in.)	3

For answers to your Monogram®, GE Profile™ or GE® appliance questions, visit our website at [ge.com](http://ge.com) or call GE Answer Center® service, 800.626.2000.

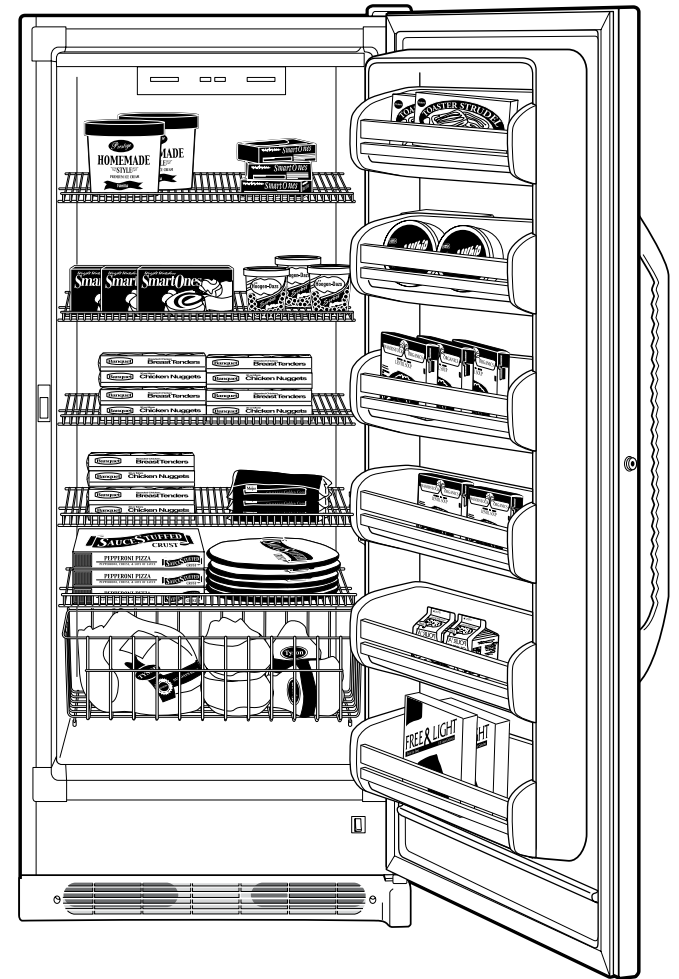


# FUM21DT

## GE® 20.6 Cu. Ft. Manual Defrost Upright Freezer

### Features and Benefits

- 20.6 cu. ft. Capacity
- Manual Defrost
- 5 Cabinet Shelves (1 Adjustable)
- 6 Freezer Door Shelves
- 1 Sliding Bulk Storage Basket
- Lock
- Interior Light
- GE CleanTouch Handle
- Adjustable Temperature Control
- Defrost Water Drain
- Model FUM21DTRWH – White



For answers to your Monogram®, GE Profile™ or GE® appliance questions, visit our website at [ge.com](http://ge.com) or call GE Answer Center® service, 800.626.2000.



imagination at work



Listed by  
Underwriters  
Laboratories