

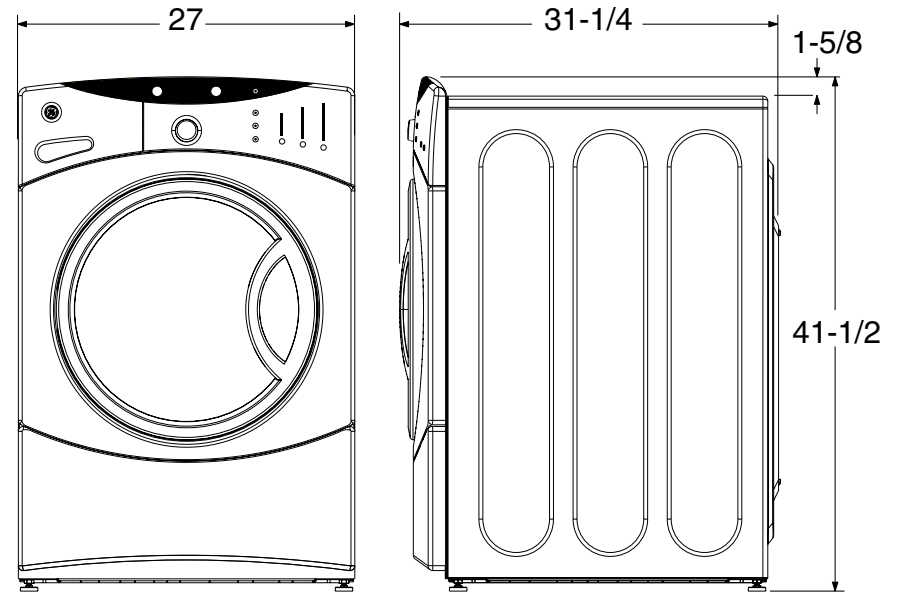
WCVH626OF

GE® Energy Star® 3.7 IEC Cu. Ft. King Size Capacity Frontload Washer with Stainless Steel Basket

Dimensions and Installation Information (in inches)

Electric Dryer Rating	
120V	12.0A, 60Hz

Installation Information: For complete information, see installation instructions packed with your washer.



For answers to your Monogram®, GE Profile™ or GE® appliance questions, visit our website at ge.com or call GE Answer Center® service, 800.626.2000.



WCVH626OF

GE® Energy Star® 3.7 IEC Cu. Ft. King Size Capacity Frontload Washer with Stainless Steel Basket

Special Installation Requirements:

Stacked Installation:

- Brackets for stacking dryer over washer are included with the washer.

Alcove or Closet Installation:

- If your dryer is approved for installation in an alcove or closet, it will be stated on a label on the dryer back.
- The dryer MUST be exhausted to the outside.
- Minimum clearances between dryer cabinet and adjacent walls or other surfaces are: 0" either side, 3" front and rear
- Minimum vertical space from floor to overhead cabinets, ceilings, etc. is 52".
- Closet doors must be louvered or otherwise ventilated and must contain a minimum of 60 sq. in. of open area equally distributed. If this closet contains both a washer and a dryer, doors must contain a minimum of 120 sq. in. of open area equally distributed.
- No other fuel-burning appliance shall be installed in the same closet with a gas dryer.

Bathroom or Bedroom Installation:

- The dryer MUST be exhausted to the outdoors.
- The installation must conform with the local codes, or in the absence of local codes, with the National Fuel Gas Code, ANSI Z223.

Minimum Clearance other than Alcove or Closet Installations:

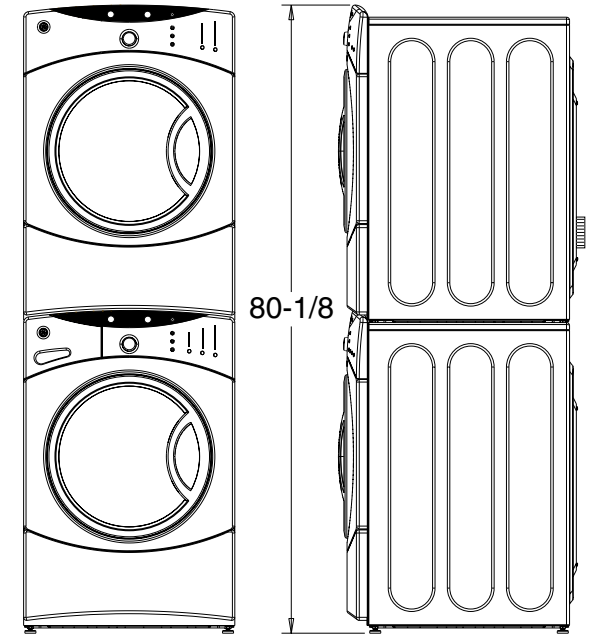
- Minimum clearances to combustible surfaces 0" both sides, 3" rear.

For more information on venting kits and accessories, please call 1-800-GE-CARES.

For answers to your Monogram®, GE Profile™ or GE® appliance questions, visit our website at ge.com or call GE Answer Center® service, 800.626.2000.



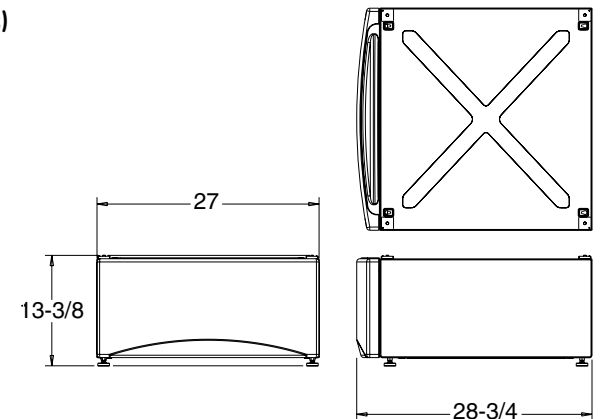
Stacked Dimensions (in inches)



Pedestal Dimensions (in inches)

SBSD227FWW - white
SBSD227FGG - granite

This optional 13-3/8" pedestal raises the door opening and height of the washer or dryer.



WCVH626OF

GE® Energy Star® 3.7 IEC Cu. Ft. King Size Capacity Frontload Washer with Stainless Steel Basket

Features and Benefits

- 3.7 cu. ft. IEC king-size capacity - Makes room for more items, such as a king-size comforter or 22 full size bath towels
- HydroMotion™ wash action - Reversing wash action offers great cleaning performance with gentle wash motion
- HydroHeater™ internal heater- Increases wash temperature to clean tough stains on loads like white cottons
- Load-sensing adaptive fill - Washer automatically fills with just the right amount of water for the load
- 26 wash cycles - Deliver excellent cleaning results
- 5 wash/rinse temperatures with Sanitize - Offer a greater degree of control over fabric cleaning and care, with a Sanitize wash temperature option for the toughest stains
- Custom Cycles - Saves your favorite wash settings for one-touch recall
- QuietPower™ design - Engineered for quiet operation and minimal vibration
- Rotary electronic controls with LED indicators - Make it simple to select and monitor wash cycles
- Model WCVH626OFWW – White on white
- Model WCVH626OFFG – Granite gray



imagination at work