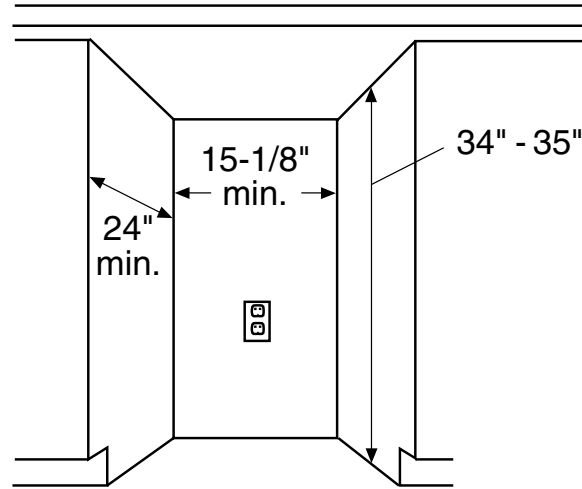


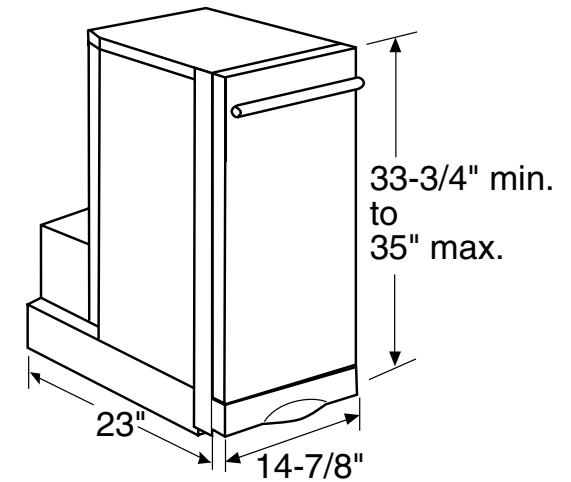
GCG1580L

GE Profile™ 15" Built-In Compactor

Dimensions and Installation Information (in inches)



Locate the outlet
18" min. from the
floor, 3" min. from
either side.



Clearances: Allow 6" clearance
to a vertical wall on the right side
for bag removal. Allow 23" at the
front for a full drawer opening.

For answers to your Monogram®, GE Profile™ or
GE® appliance questions, visit our website at
ge.com or call GE Answer Center® service,
800.626.2000.



imagination at work

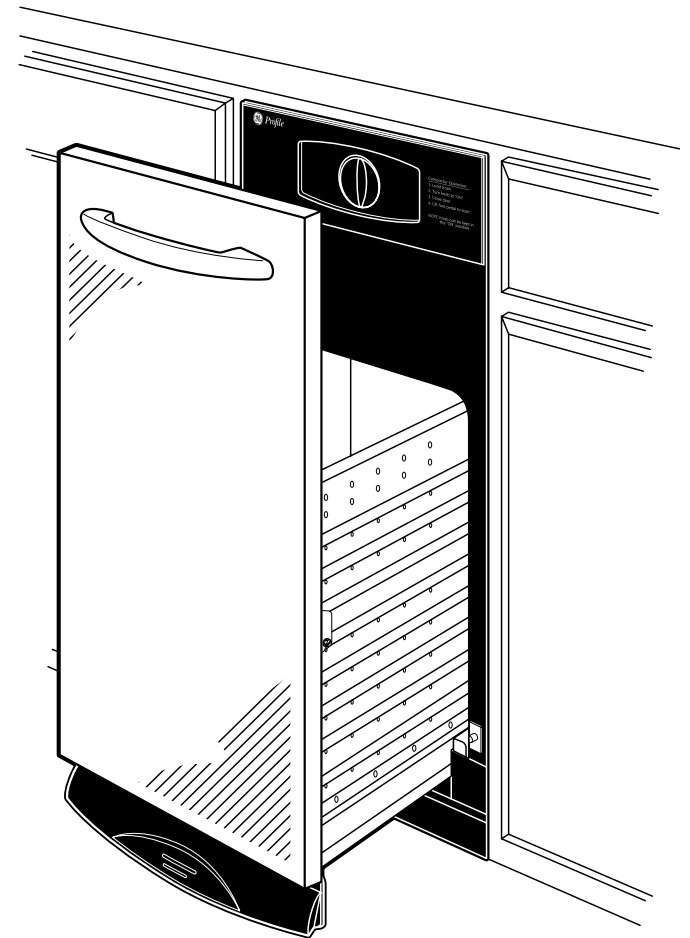


GCG1580L

GE Profile™ 15" Built-In Compactor

Features and Benefits

- Stainless Door with Sculptured Handle - Creates an elegant appearance with a sleek stainless steel door and handle designed to coordinate beautifully with other GE Profile appliances
- Hidden Controls - The controls are hidden behind the compactor door, lending a beautiful designer appearance
- Built-In Only - The compactor is built-in to adjacent cabinetry for an upscale appearance
- 1.4 Cu. Ft. Capacity - Provides plenty of room for waste items or recyclables
- 1/3 HP Motor - Powerful motor provides maximum compacting power
- Removable Key Lock - Provides added safety by assuring the drawer remains locked during use
- Toe Pedal Opener - Hands-free toe pedal drawer makes it easy to open and load
- Automatic Anti-Jam - Operation is easy and reliable, even with a challenging load
- Rear Wheels - Allow easy movement and installation
- Removable Drawer - Makes it simple to empty and clean
- Model GCG1580LSS - Stainless steel



imagination at work