

# JT952SK

## GE Profile™ 30" Built-In Double Oven

### Dimensions and Installation Information

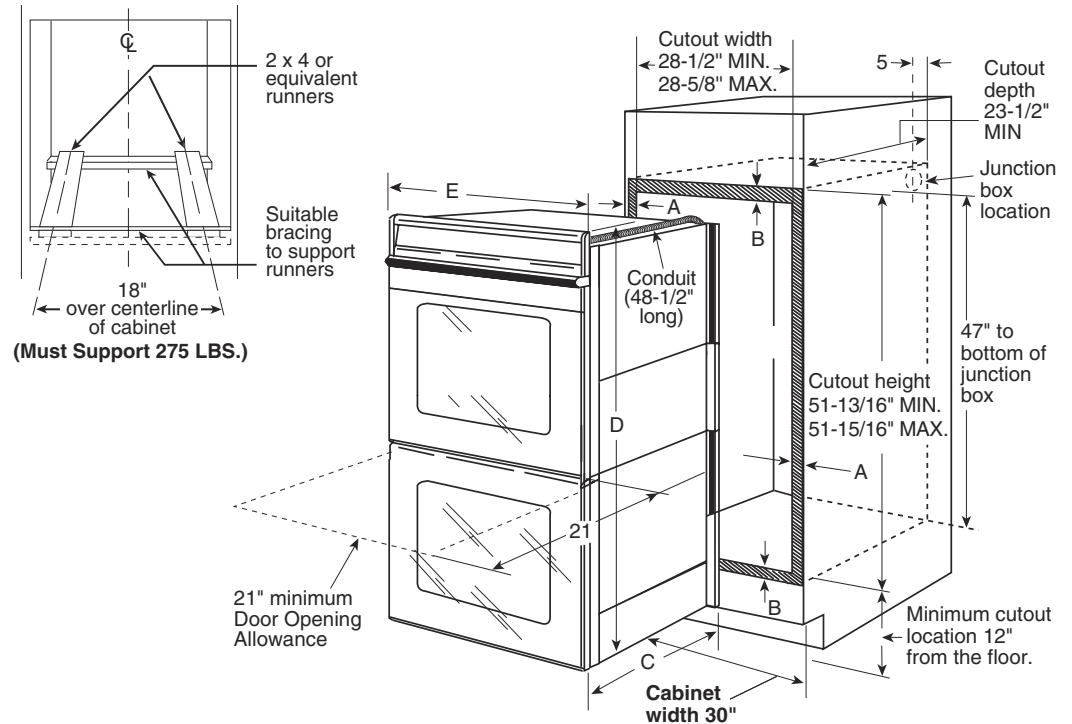
KW Rating	
240V	7.2
208V	5.4
Breaker Size	
240V	40 Amps
208V	30 Amps

Cabinet	30"
A - Overlap of Oven Over Side Edges of Cutout	11/16"-3/4"
B - Overlap of Oven at Bottom of Cutout	1"
Oven	
C - Overall Depth	23-1/2"
D - Overall Height	52-7/8"
E - Overall Width	29-3/4"

**Note:** Cabinets installed adjacent to wall ovens must have an adhesion spec of at least a 194°F temperature rating. **Electric wall ovens are not approved for installation with a plug and receptacle. They must be hard wired in accordance with installation instructions.**

**Installation Information:** Before installing, consult installation instructions packed with product for current dimensional data.

For answers to your Monogram,® GE Profile™ or GE® appliance questions, visit our website at [ge.com](http://ge.com) or call GE Answer Center® service, 800.626.2000.



MOST 30" WALL CABINETS CAN BE USED WITH THIS UNIT.  
THE OPENING BETWEEN THE INSIDE WALLS MUST BE AT LEAST 28-1/2" WIDE.

Dimension and installation information are shown in inches.



Specification Created 1/05

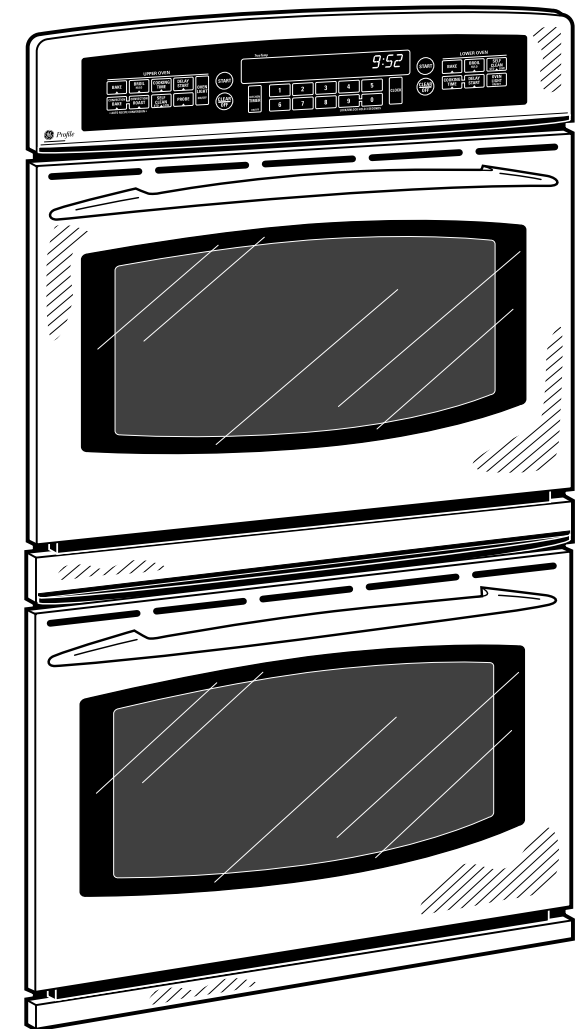
220131

# JT952SK

## GE Profile™ 30" Built-In Double Oven

### Features and Benefits

- Precise Air™ convection system (Upper Oven Only) - Provides even air and heat circulation for superior baking and roasting results
- Convection bake (multi-rack) (Upper Oven Only) - Provides you with ideal convection baking for multiple racks of food, ensuring superb results
- Convection roast (Upper Oven Only) - Delivers even cooking and consistent results, roasting meats up to 25% faster than a conventional oven
- Electronic oven controls - One-touch electronic pads are easy-to-use and allow for simple oven operation
- Self-clean oven - Conveniently cleans oven cavity without the need for scrubbing
- Super-large oven capacity - Provides the impressively large oven interior for cooking more dishes and large meals at one time
- TrueTemp™ system - Delivers even heat distribution and maximum oven control
- Model JT952SKSS – Stainless steel



imagination at work

Specification Created 1/05

220131