

# WPRE8100G

## GE Profile™ 3.5 Cu. Ft. Capacity King-Size Washer with Stainless Steel Basket

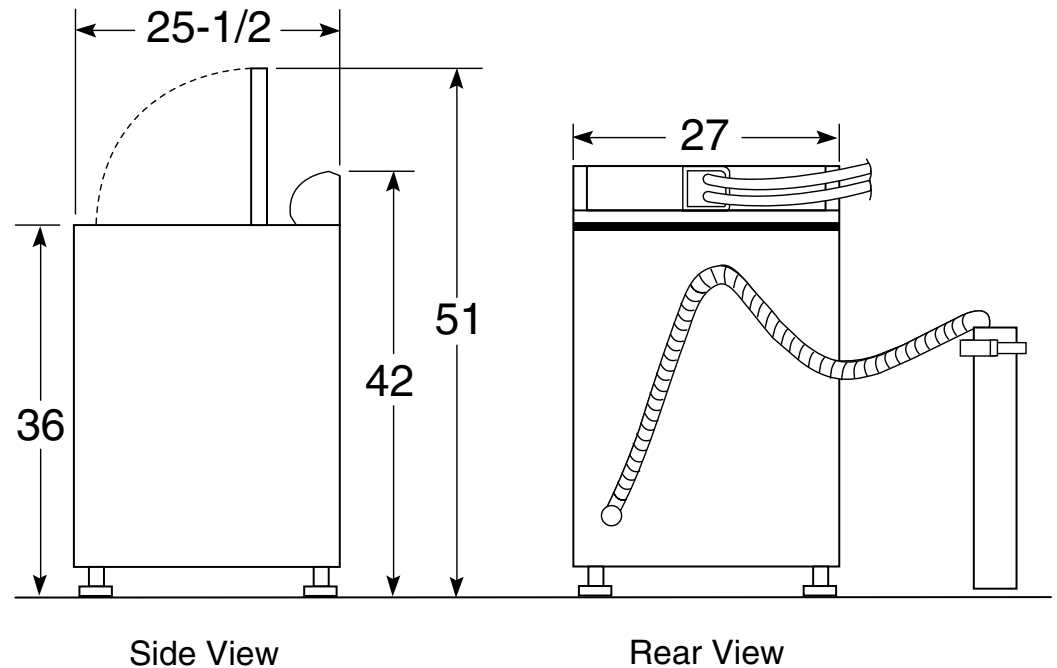
### Dimensions and Installation Information (in inches)

**Circuit Requirements:** An individual, properly-grounded branch circuit, with a three-prong grounding-type receptacle, protected by a 15 or 20 amp circuit breaker or a time-delay fuse, is required.

**Electrical Rating:** 115V, 60Hz, 10A

**Note:** Washer wall outlet must be located within 36" of service code entry. Wall outlet must not be located behind dryer.

**Installation Information:** Before installing, consult installation instructions packed with product for current dimensional data.



For answers to your Monogram®, GE Profile™ or GE® appliance questions, visit our website at [ge.com](http://ge.com) or call GE Answer Center® service, 800.626.2000.



imagination at work



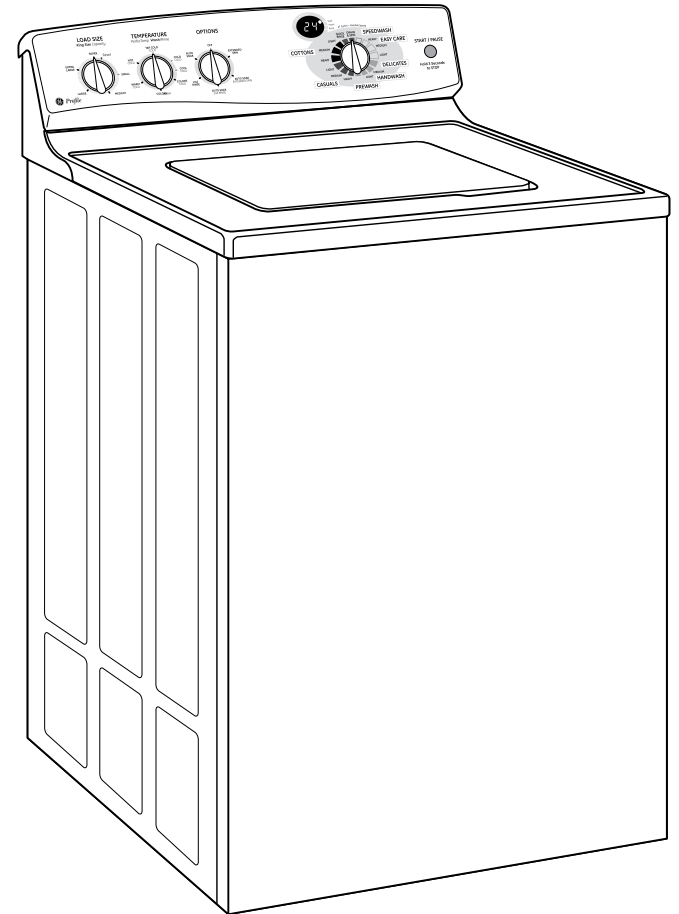
Listed by  
Underwriters  
Laboratories

# WPRE8100G

## GE Profile™ 3.5 Cu. Ft. Capacity King-Size Washer with Stainless Steel Basket

### Features and Benefits

- King-size, 3.5-cu. ft. stainless steel basket makes room for more items, which means less time doing laundry
- Stainless Steel Basket - It resists rust and won't chip, peel or snag clothes
- HydroWave™ Wash System - Has variable speeds to match the wash action to the clothing type. Longer, slower travel through the water improves cleaning performance and is gentler on your clothes
- Multiple Wash/Spin Speeds - Matches wash action to fabric type for better cleaning and clothes care
- Multiple Wash Cycles - Delivers optimal cleaning results
- Seven Wash/Rinse Temperatures - Offer a greater degree of control over fabric cleaning and care
- Variable Water Levels - Give you the option of adjusting the water levels to match load size, reducing water usage
- Speed Wash - Delivers ready-to-go results within minutes
- Prewash Cycle - Allows clothing additional time to soak and agitate to help remove stubborn stains
- 2nd Rinse Option - Helps protect delicate fabrics and sensitive skin
- Extended Spin - Longer spin means less time drying
- WPRE8100GWT - Titanium on white



imagination at work