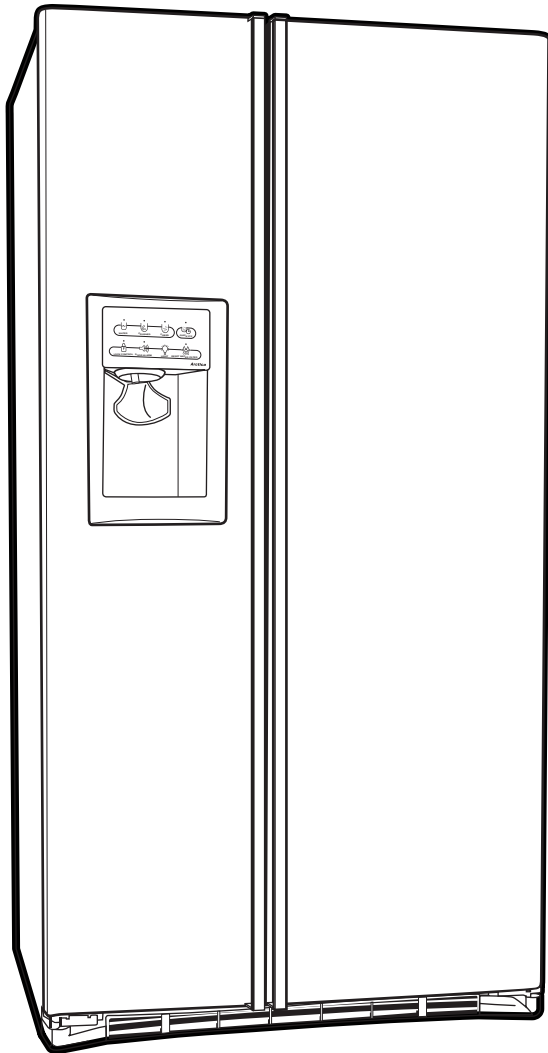


# Installation Instructions

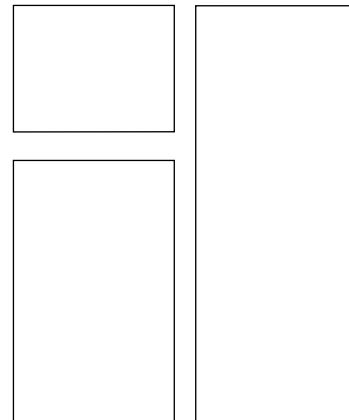
## DECORATOR PANEL KIT PSPK25D (WW, BB, CC, SS)

USE WITH: GE Models PSH25MG, PSH25NG and PSH25PG

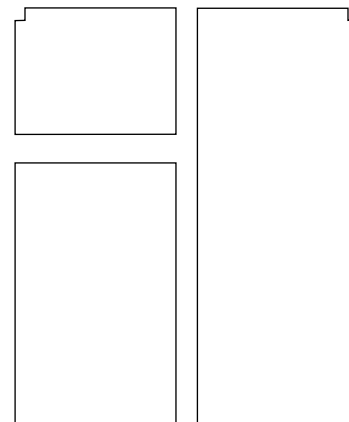
If you have questions, call 800.GE.CARES (800.432.2737) or visit our website at: [www.ge.com](http://www.ge.com)



PSPK25DM



3 Corrugated Panels



3 Decorator Panels

# INSTALLING DECORATOR PANEL KIT

The following instructions outline the procedure to install Decorator Panel Kit PSPK25D on your refrigerator models: PSH25MG, PSH25NG and PSH25PG. Read each step thoroughly before proceeding.

## Tools Needed For Installation:



T-20 Torx Driver

The procedure below describes installation on models equipped with a dispenser.

- When installing panels less than 1/4" (6 mm), you must insert a filler panel behind the decorator panel for proper fit. The combined thickness of the decorator panels and filler panels must total 1/4" (6 mm). This plastic panel kit comes with corrugated filler panels.

## STEP 1: LOOSEN THE TOP TRIM ON THE FREEZER AND FRESH FOOD DOORS.

- Using a T-20 Torx driver, loosen the 2 screws attaching the top trim about 1/4" (6 mm) for each door.

## STEP 2: INSERT THE PANELS.

(REMOVE THE PROTECTIVE FILM FROM THE PANELS BEFORE INSERTION.)

### Top Freezer Panel and Fresh Food Panel

- Lift the top trim up 1/4" and carefully push the panel in until it slides into the slot behind the door handle.

### Bottom Freezer Panel

- Carefully push the panel in until it slides into the slot behind the door handle.

## STEP 3: TIGHTEN THE 2 SCREWS ON THE TOP TRIM. (EACH DOOR)

## STEP 4: INSTALL THE SIDE TRIM.

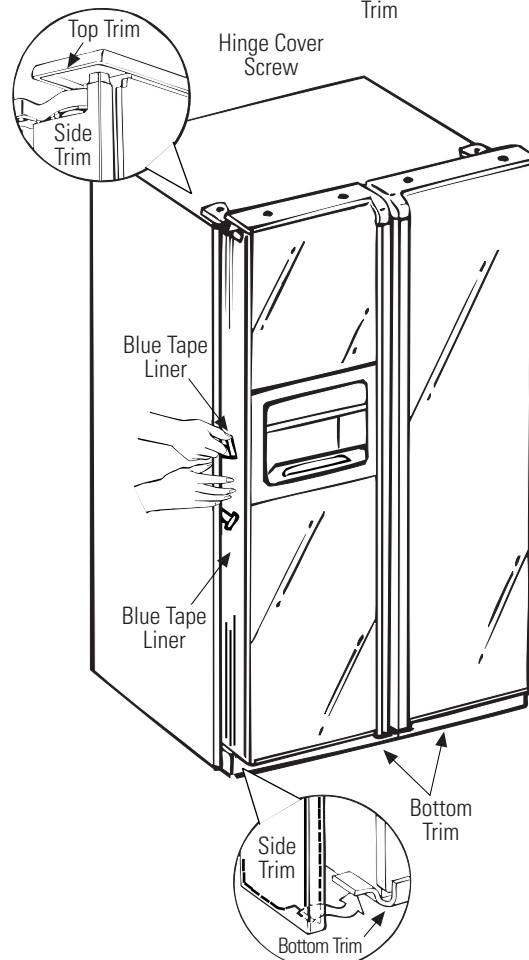
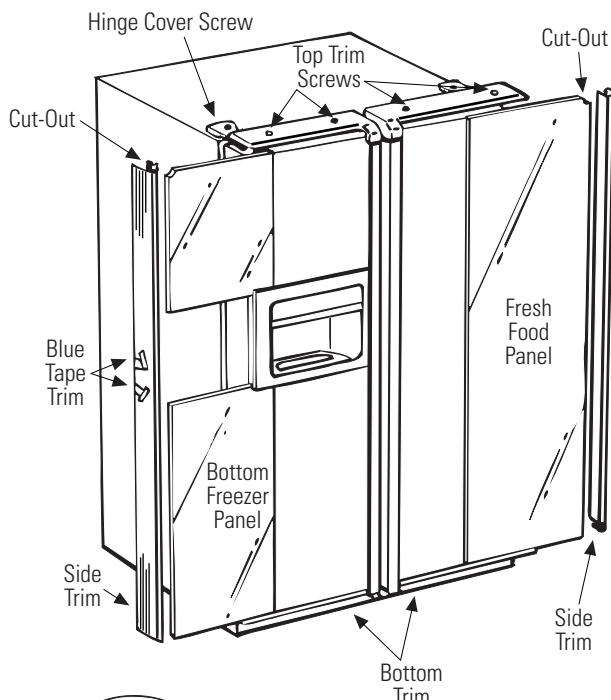
Do not remove the protective film on the outside of the side trim until the side trim is installed.

- Fit the bottom of the side trim under the bottom trim as illustrated.
- Hold the side trim against the front face of the panels and fit the side trim under the top trim. Make sure the side trim is fitted correctly before pulling the blue tape liner.

## STEP 5: SECURE THE SIDE TRIM.

- Place one hand between the 2 blue pieces of tape liner and hold the side trim firmly against the panels and the side of the door.
- Pull the top blue tape liner up about 3" (76 mm), pressing the trim with your hand as the adhesive is exposed. Then pull the bottom blue tape liner down about 3" (76 mm). Follow the tape with your hand, pressing the trim adhesive against the door.
- Continue pulling the tape liner loose, alternating between the top and bottom and pressing the side trim against the door.

## STEP 6: REMOVE THE PROTECTIVE FILM FROM THE OUTSIDE OF THE SIDE TRIM.



# INSTALLING AND REMOVING PREVIOUSLY INSTALLED GE DECORATOR PANELS

In order to remove the decorator panels and replace with new panels, you need to remove the handles. A T-20 Torx driver is needed.

## REMOVING THE HANDLES:

**STEP 1:** LOOSEN AND REMOVE THE 2 SCREWS IN THE TOP TRIM.

**STEP 2:** LOOSEN AND REMOVE THE 2 SCREWS IN THE BRACKET THAT ATTACHES THE HANDLE TO THE TOP OF THE DOOR.

**STEP 3:** GRIP THE HANDLE FIRMLY AND SLIDE UPWARDS.

The keyhole slots on the Handle slide off the buttons on the door.

**STEP 4:** OPEN THE DOOR AND SLIDE OUT THE DECORATOR PANELS.

## INSERTING THE DOOR PANELS:

Before inserting the decorator panels, make sure they have been routed out in the proper areas as shown in the Use & Care Guide. Slide in the panels to perform a trial fit before fastening down the Handle and Top Trim.

## INSTALLING THE HANDLES:

Once the panels are fitted properly, install the Handle and Top Trim.

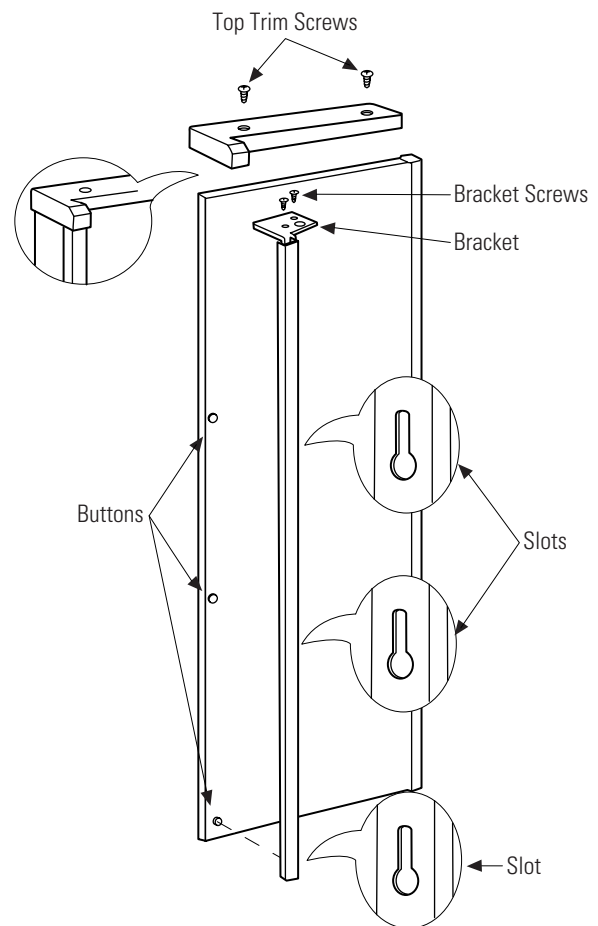
**STEP 1:** SLIDE THE KEYHOLE SLOTS ON THE HANDLE DOWN ONTO THE BUTTONS MOUNTED TO THE FACE OF THE DOOR.

Slide the Handle downward until the bracket at the top of the Handle fits flush on the top of the door.

**STEP 2:** REPLACE THE 2 SCREWS IN THE BRACKET THAT ATTACHES THE HANDLE TO THE TOP OF THE DOOR AND TIGHTEN THE SCREWS TO 45 IN-LBS TORQUE.

**STEP 3:** REPLACE THE TOP TRIM, MAKING SURE IT FITS OVER THE SIDE TRIM AND THAT THE LOCATING TABS FIT THE INSIDE OF THE HANDLE PROFILE.

**STEP 4:** REPLACE THE TOP TRIM SCREWS AND TIGHTEN TO 30 IN-LBS TORQUE.



## CARE OF PANELS:

Clean using anti-static acrylic cleaner or a mild detergent (3% in lukewarm water). Rinse thoroughly and blot dry with a clean, damp cloth or chamois. (Paper towels should not be used to wash or dry panels.) Typically-available cleaners contain solvents, such as ammonia, that can damage or distort the panels. Do not use!

For stainless steel panels, stainless steel cleaner is recommended for cleaning purposes. Using a soft cloth, wipe the cleaner vertically following the grain of the steel.

# WARNING

## STABILITY PRECAUTION

The refrigerator is much heavier with decorator door panels. To prevent the refrigerator from tipping over, you must do one of the following:

- Install the refrigerator in an alcove or wall recess with a soffit height of 72-1/4" (1835 mm).
- Install a 2" x 4" wood block, the full width of the refrigerator. Secure the block with a minimum of three (3) wood screws penetrating at least 3/4" (19 mm) into wall studs.

