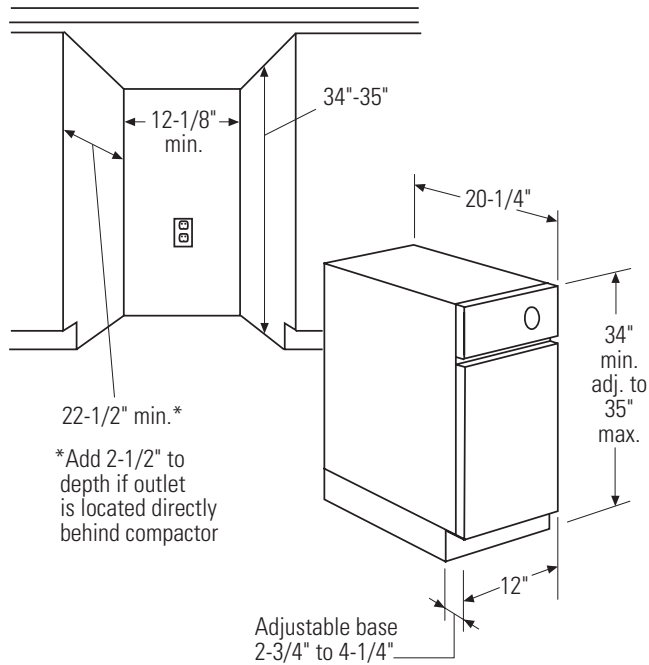




**Monogram®**

## ZCG3500DSS – GE Monogram Built-In Compactor

### Dimensions and Specifications (in inches)



This Monogram compactor has a black control panel.

The adjustable base allows the toe-kick depth to match surrounding cabinetry. This compactor is designed as a built-in appliance only. It may be located in any convenient space under a countertop. **DO NOT OPERATE FREE-STANDING** because the compactor will tip over when the drawer is pulled out.

### Additional Specifications

A 115 Volt, 60 Hz. power supply is required. An individual properly grounded branch circuit protected by a 15- or 20-amp circuit breaker or time delay fuse is recommended. Install a properly grounded 3-prong electrical receptacle recessed into the back wall. Electrical outlet location is critical for proper cord storage when compactor is installed.

If the compactor is to be located in or near a corner of base cabinets, allow 2" minimum clearance from the corner to prevent interference with adjacent door handles.

### Note:

If cord is to be plugged in directly behind compactor add 2-1/2" to overall depth in order to allow proper clearance for the electrical cord.



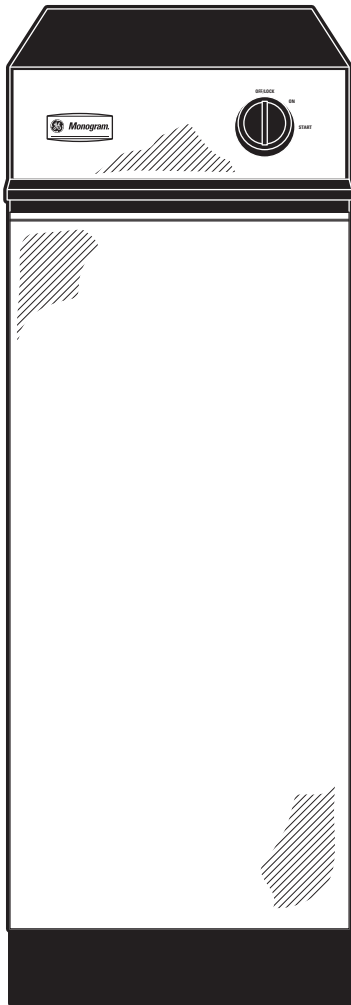
Listed by  
Underwriters  
Laboratories

For answers to your Monogram®, GE Profile™ or GE® appliance questions, visit our website at [GEAppliances.com](http://GEAppliances.com) or call GE Answer Center® service, 800.626.2000.



**Monogram.**

## ZCG3500DSS – GE Monogram Built-In Compactor



### Features and Benefits

- 1/3 horsepower motor
- 5,000-lb. maximum compacting force
- Automatic anti-jamming feature
- Slide-out compactor drawer
- Lock/start control with removable key
- Adjustable toekick
- Model ZCG3500DSS – Stainless steel drawer panel
- Model ZCG3300VWW – White on white
- Model ZCG3100VBB – Black on black