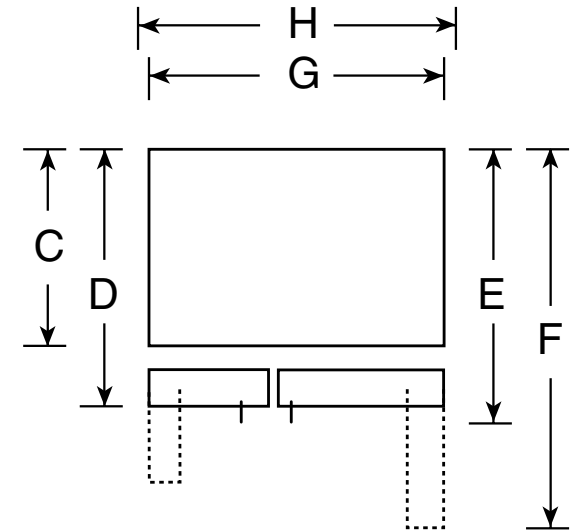
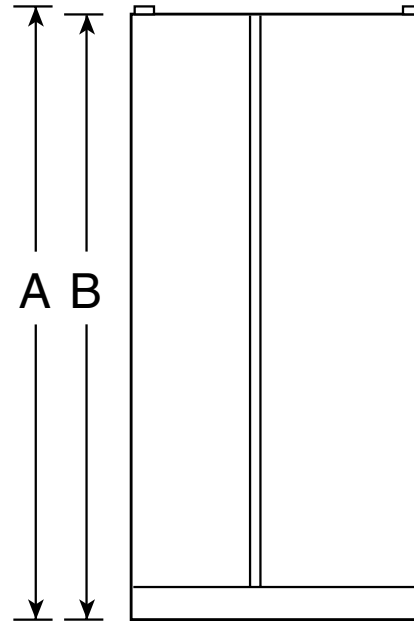


GSS23QST

GE® ENERGY STAR® 23.1 Cu. Ft. Stainless Side-By-Side Refrigerator with Dispenser

Dimensions and Installation Information (in inches)

Overall Dimensions	Height to top of hinge (in.) A	69-1/4
	Height to top of case (in.) B	68-3/4
	Case depth without door (in.) C†	28
	Case depth less door handle (in.) D†	31-1/4
	Case depth with door handle (in.) E†	33-9/16
	Depth with fresh food door open 90° (in.) F†	50-1/16
	Width (in.) G	32-3/4
	Width with door open 90° inc. door handle (in.) H	34-3/4
Air Clearances	Each side (in.)	1/8
	Top (in.)	1
	Back (in.)	1/8



Top View

†Water hook-up fits in back air clearance when calculating installation depth.

If installed against a wall, allow clearance of 14-3/16" on freezer side to remove bin.

Clearance required to remove fresh food full-size pan without disassembling is 18-15/16".

Allow additional space for any necessary leveling adjustments.

For answers to your Monogram®, GE Profile™ or GE® appliance questions, visit our website at ge.com or call GE Answer Center® service, 800.626.2000.



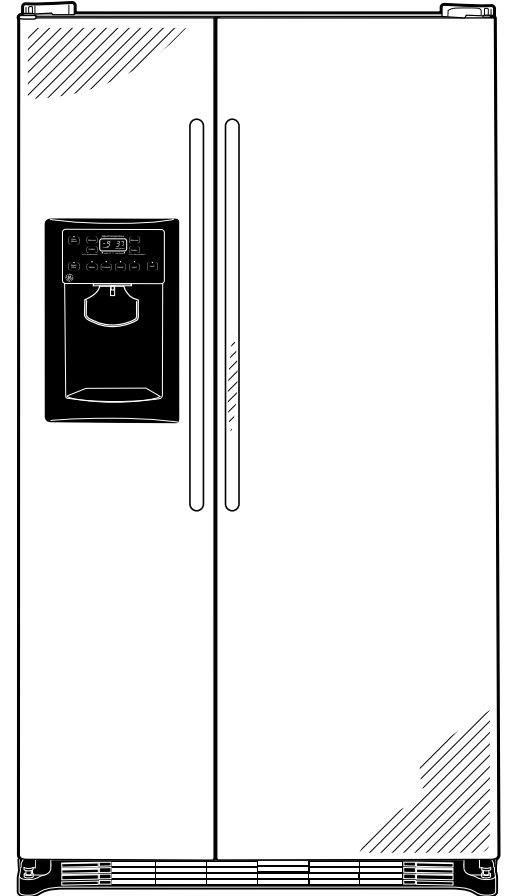
As an ENERGY STAR® partner, GE has determined that this product meets the ENERGY STAR guidelines for energy efficiency.

GSS23QST

GE® ENERGY STAR® 23.1 Cu. Ft. Stainless Side-By-Side Refrigerator with Dispenser

Features and Benefits

- Stainless Steel Exterior - Convey a look of utmost polish and sophistication
- External Controls with Actual Temperature Display, Child Lock and Door Alarm - Eliminates the guesswork in setting refrigerator temperatures; conveniently displayed on the dispenser
- Integrated Shelf Support System - Provides strong, yet flexible support
- ClearLook™ Adjustable Gallon Door Bins - Store gallon containers with ease
- Adjustable Humidity Vegetable/Fruit Crisper - Provides easy storage environment for fruits and vegetables
- Adjustable Temperature Deli Drawer - Keep meats and cheeses fresher, longer
- Snack Pan - Helps keep everyday foods like muffins and carrot sticks fresh
- Adjustable Slide-Out, Spillproof Glass Shelves - Shelves slide out, spills stay put
- AutoEnergy saver - Senses freezer and fresh door openings and adjusts refrigeration operation cycles accordingly
- GE SmartWater™ Plus Filtration System - Delivers clean, great-tasting water and ice through the LightTouch! Dispenser with indicator light
- FrostGuard™ Technology - Protects frozen items from freezer burn by monitoring freezer door openings and defrosting only when needed
- Deluxe Quiet Design - Significantly reduces operating noise
- NeverClean™ Condenser - Condenser coils are encased, so they don't require cleaning in normal operating environments
- Model GSS23QSTSS - Stainless steel



imagination at work



As an ENERGY STAR® partner, GE has determined that this product meets the ENERGY STAR guidelines for energy efficiency.