

PSC25MGS

GE Profile CustomStyle™ ENERGY STAR® 24.6 Cu. Ft. Side-By-Side Refrigerator

Dimensions and Installation Information (in inches)

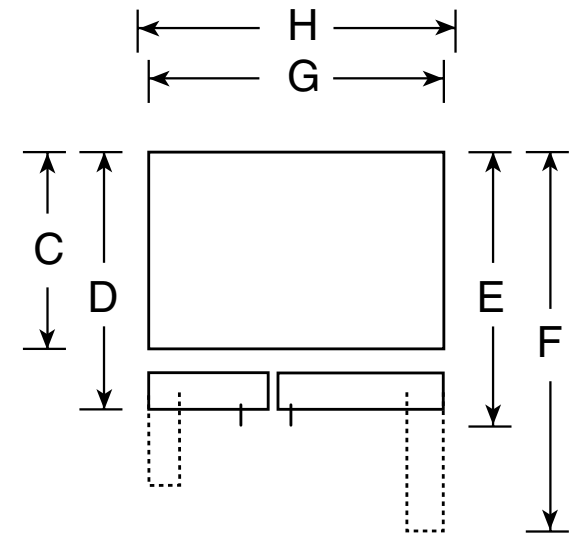
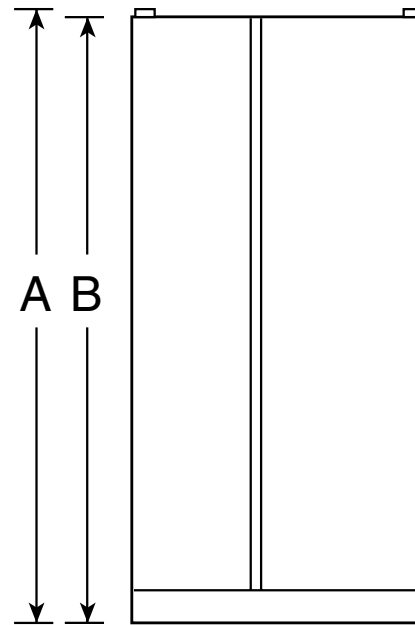
Overall Dimensions	Height to top of hinge (in.) A	72
	Height to top of case (in.) B	71-1/2
	Case depth without door (in.) C†	23-7/8
	Case depth less door handle (in.) D†	27-1/8
	Case depth with door handle (in.) E†	29-9/16
	Depth with fresh food door open 90° (in.) F†	46
	Width (in.) G	35-3/4
	Width with door open 90° inc. door handle (in.) H	38-3/16
Air Clearances	Each side (in.)	1/8
	Top (in.)	1
	Back (in.)	1/2

†Water hook-up fits in back air clearance when calculating installation depth.

If installed against a wall, allow clearance of 13-15/16" on freezer side to remove bin.

Clearance required to remove fresh food full-size pan without disassembling is 18-5/8".

Allow additional space for any necessary leveling adjustments.



Top View

For answers to your Monogram®, GE Profile™ or GE® appliance questions, visit our website at ge.com or call GE Answer Center® service, 800.626.2000.



As an ENERGY STAR® partner, GE has determined that this product meets the ENERGY STAR guidelines for energy efficiency.

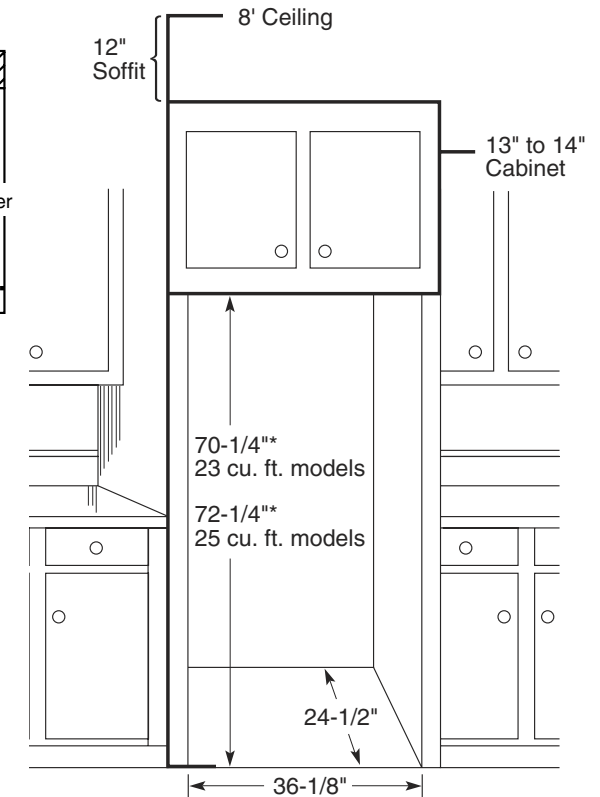
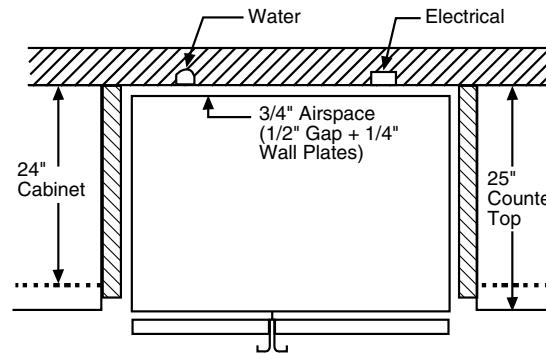
PSC25MGS

GE Profile CustomStyle™ ENERGY STAR® 24.6 Cu. Ft. Side-By-Side Refrigerator

Rough-In Dimensions and Installation Information (in inches)

Installation Tips to Maximize the Built-In Look

- All wall/floor molding should be removed prior to installation.
 - Water recess on rear wall recommended to prevent water line damage. 48" minimum length, 1/4" diameter water line tubing recommended.
 - When possible, recess both copper water line and electrical outlet. (See local codes)
 - Front and rear leveling legs are adjustable for the built-in look. (See owner's manual)
- **The rough-in dimensions of 70-1/4"/72-1/4" are minimum and measured from the finished floor to top of opening (or the underside of the overhead cabinets). For Models with Trim Kit: If frameless style cabinets are planned for above the refrigerator, you may need to consider adding a maximum of 1/4" (70-1/2") to height of opening for 23 cu. ft. models and 1/8" (72-3/8") for 25 cu. ft. models to allow for additional clearance between the cabinet doors and the top of refrigerator trim when the cabinet doors are in open position.



For answers to your Monogram®, GE Profile™ or GE® appliance questions, visit our website at ge.com or call GE Answer Center® service, 800.626.2000.



imagination at work



Listed by
Underwriters
Laboratories



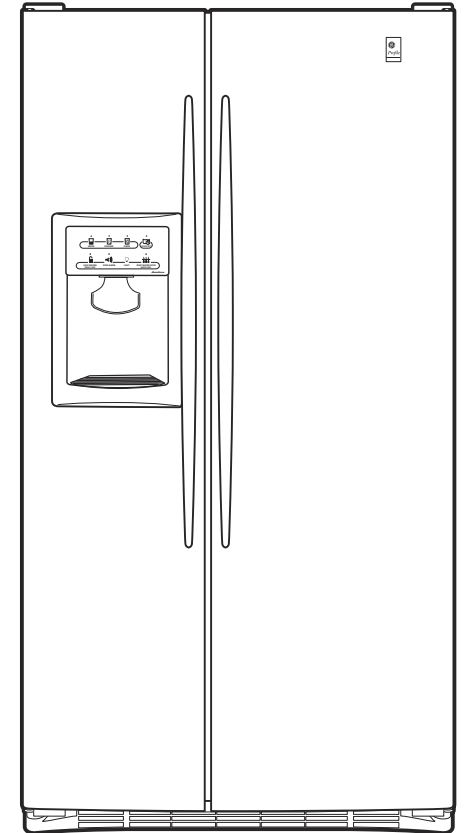
As an ENERGY STAR® partner, GE has determined that this product meets the ENERGY STAR guidelines for energy efficiency.

PSC25MGS

GE Profile CustomStyle™ ENERGY STAR® 24.6 Cu. Ft. Side-By-Side Refrigerator

Features and Benefits

- CustomStyle™ Configuration - Offers a built-in look without the built-in expense
- ClimateKeeper2™ System - Keeps food garden fresh longer, while protecting ice from odor transfer, with its unique dual-evaporator system
- Upfront, Electronic Touch Temperature Controls - Extremely precise and easy to use
- Integrated Ice™ System - Frees up valuable freezer space. It tilts down, providing easy access to bulk ice
- Tall LightTouch! Dispenser - Delivers chilled water cubed ice or crushed ice at the slightest touch
- Integrated Shelf Support System - Provides strong, yet flexible support
- FrostGuard™ Technology - Protects frozen items from freezer burn by monitoring door openings and defrosting only when needed
- Adjustable Slide-Out, Spillproof Glass Shelves - Shelves slide out, spills stay put
- QuickIce™ Option - Makes ice up to 50% faster than normal settings-ideal for entertaining
- TurboCool™ Setting - “Revs up” the refrigerator, cooling it quickly after frequent door openings
- GE SmartWater™ Plus Filtration System - Delivers clean, great-tasting water and ice through the LightTouch! Dispenser with indicator light
- In-the-Door Beverage Rack - Conveniently located inside the refrigerator door to increase flexibility and to free up valuable shelf space
- ClearLook™ Adjustable Gallon Door Bin - Store gallon containers with ease
- Model PSC25MGSBB - Black on black
- Model PSC25MGSWW - White on white



imagination at work



As an ENERGY STAR® partner, GE has determined that this product meets the ENERGY STAR guidelines for energy efficiency.